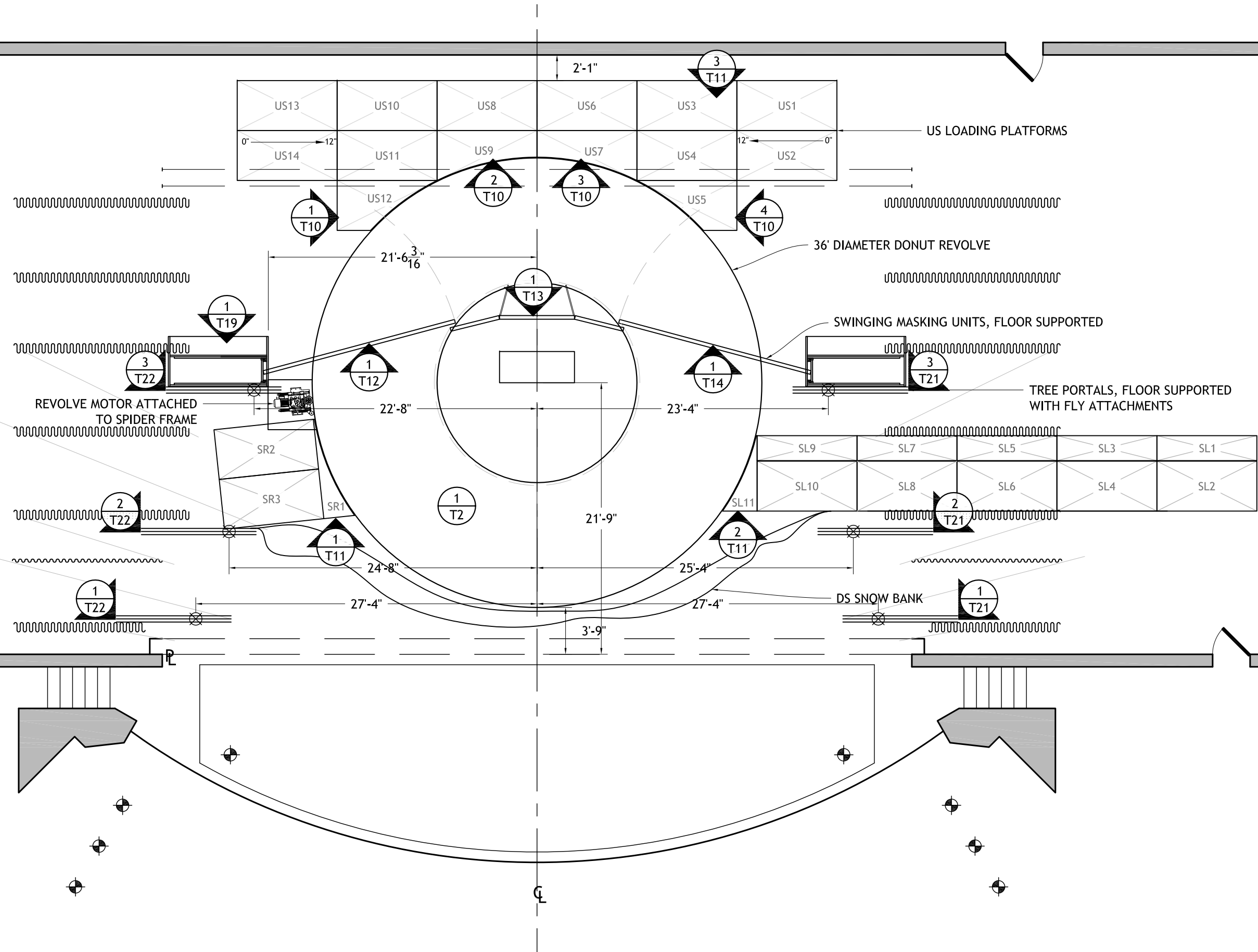


- 48 CYCLORAMA
- 47 8TH ELECTRIC
- 46 STAR DROP
- 45 SCRIM
- 44 TRAVELER
- 43
- 42 7TH ELECTRIC
- 41 BORDER
- 40 ORCH SHELL #5
- 39
- 38
- 37 TRAVELER
- 36 6TH ELECTRIC
- 35 BORDER
- 34
- 33 CENTER MASKING WALL
- 32 ORCH SHELL #4
- 31
- 30 TRAVELER
- 29
- 28 5TH ELECTRIC
- 27 BORDER
- 26 TREE PORTALS #3
- 25 ORCH SHELL #3
- 24
- 23
- 22 TRAVELER
- 21 4TH ELECTRIC
- 20 BORDER
- 19 1-1 PORCH ROOF
- 18 PROJECTION SCREEN
- 17 1-1 PORCH ROOF
- 16 3RD ELECTRIC
- 15 ORCH SHELL #2
- 14 1-4 LIVING ROOM CROWN
- 13 TRAVELER
- 12 BORDER
- 11 TREE PORTALS #1
- 10 2ND ELECTRIC
- 9 LEGS
- 8 BORDER
- 7 1-3 FLUORESCENT LIGHTS
- 6 ORCH SHELL #1
- 5 1ST ELECTRIC
- 4 2-2 SHIP HULL
- 3 TREE PORTALS #1
- 2 ACT CURTAIN
- 1 GUILLOTINE



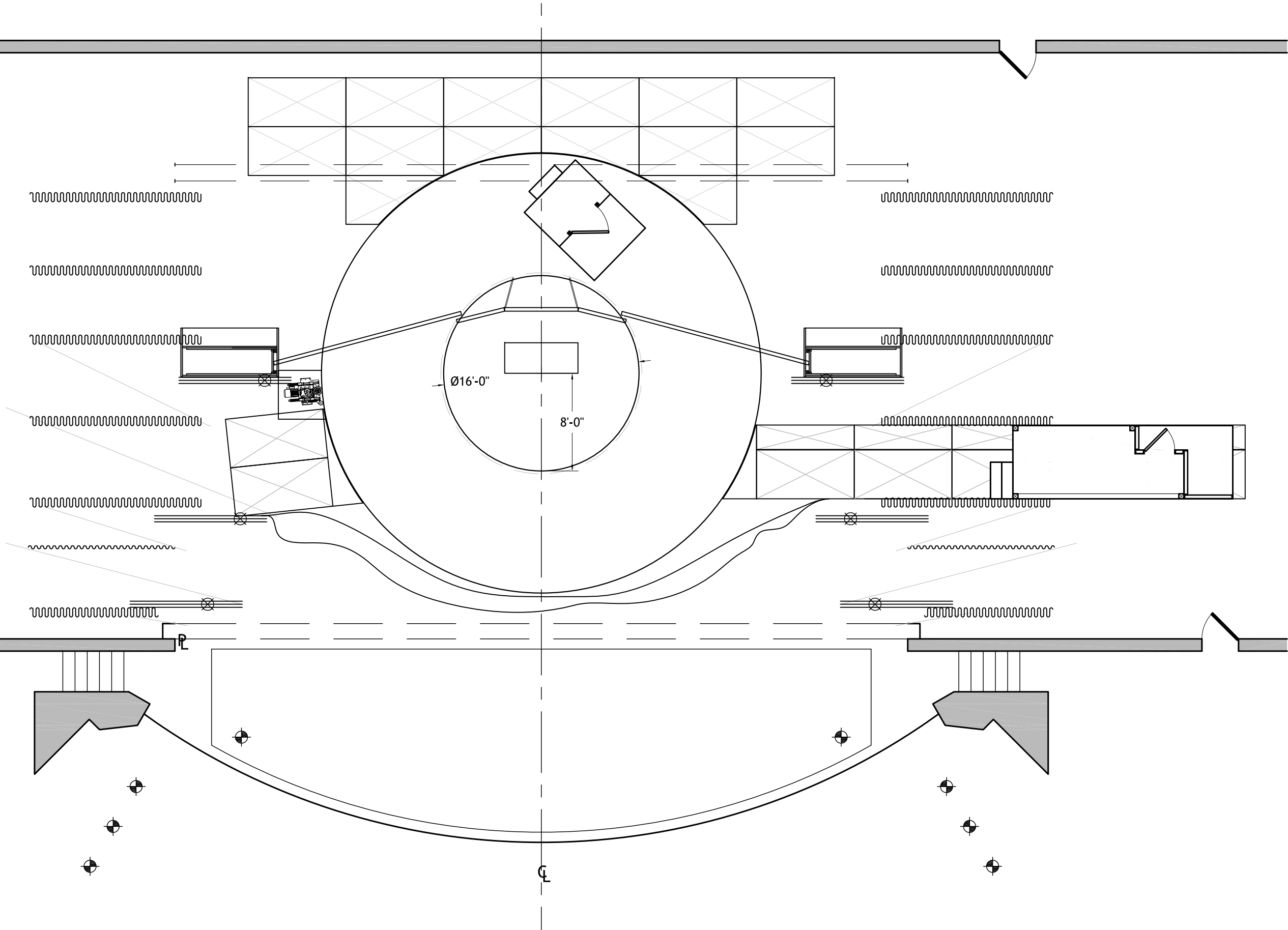
IHSTF 2012 ALL STATE
 ALMOST, MAINE
 BRADEN AUDITORIUM

GROUND PLAN

DATE: 01.01.12 VERSION: 8
 DIRECTOR: BEN STONER SCALE: 1/8" = 1'-0"
 DESIGNER: NICK QUINN DWG BY: NQ



- 48 CYCLORAMA
- 47 8TH ELECTRIC
- 46 STAR DROP
- 45 SCRIM
- 44 TRAVELER
- 43
- 42 7TH ELECTRIC
- 41 BORDER
- 40 ORCH SHELL #5
- 39
- 38
- 37 TRAVELER
- 36 6TH ELECTRIC
- 35 BORDER
- 34
- 33 CENTER MASKING WALL
- 32 ORCH SHELL #4
- 31
- 30 TRAVELER
- 29
- 28 5TH ELECTRIC
- 27 BORDER
- 26 TREE PORTALS #3
- 25 ORCH SHELL #3
- 24
- 23
- 22 TRAVELER
- 21 4TH ELECTRIC
- 20 BORDER
- 19 1-1 PORCH ROOF
- 18 PROJECTION SCREEN
- 17 1-1 PORCH ROOF
- 16 3RD ELECTRIC
- 15 ORCH SHELL #2
- 14 1-4 LIVING ROOM CROWN
- 13 TRAVELER
- 12 BORDER
- 11 TREE PORTALS #1
- 10 2ND ELECTRIC
- 9 LEGS
- 8 BORDER
- 7 1-3 FLUORESCENT LIGHTS
- 6 ORCH SHELL #1
- 5 1ST ELECTRIC
- 4 7-4 SHIP HIRAP
- 3 TREE PORTALS #1
- 2 ACT CURTAIN
- 1 GUILLOTINE



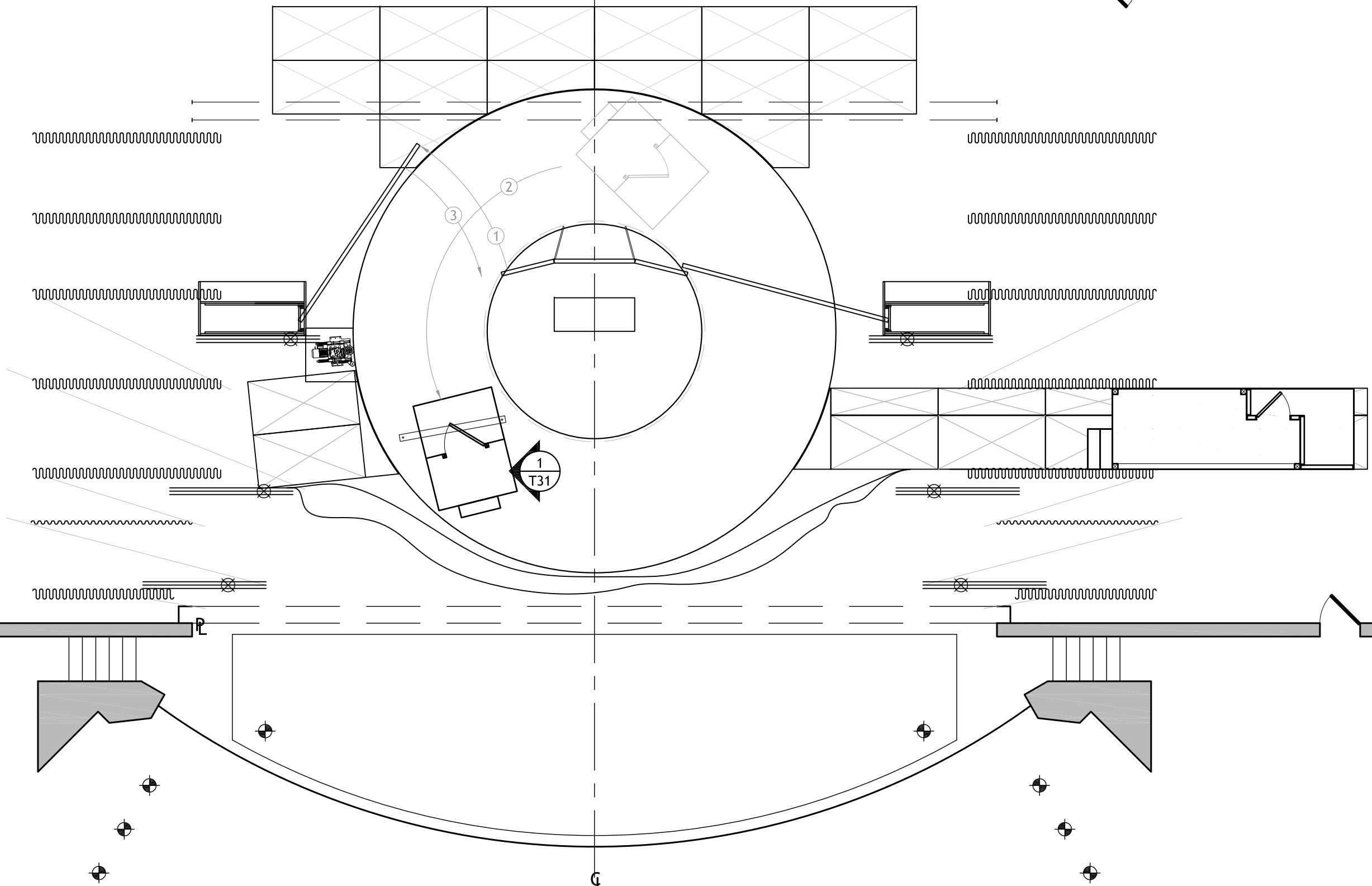
IHSTF 2012 ALL STATE
 ALMOST, MAINE
 BRADEN AUDITORIUM

PROLOGUE

DATE: 01.01.12	VERSION: 8
DIRECTOR: BEN STONER	SCALE: 1/8" = 1'-0"
DESIGNER: NICK QUINN	DWG BY: NQ



- 48 CYCLORAMA
- 47 8TH ELECTRIC
- 46 STAR DROP
- 45 SCRIM
- 44 TRAVELER
- 43
- 42 7TH ELECTRIC
- 41 BORDER
- 40 ORCH SHELL #5
- 39
- 38
- 37 TRAVELER
- 36 6TH ELECTRIC
- 35 BORDER
- 34
- 33 CENTER MASKING WALL
- 32 ORCH SHELL #4
- 31
- 30 TRAVELER
- 29
- 28 5TH ELECTRIC
- 27 BORDER
- 26 TREE PORTALS #3
- 25 ORCH SHELL #3
- 24
- 23
- 22 TRAVELER
- 21 4TH ELECTRIC
- 20 BORDER
- 19 1-1 PORCH ROOF
- 18 PROJECTION SCREEN
- 17 1-1 PORCH ROOF
- 16 3RD ELECTRIC
- 15 ORCH SHELL #2
- 14 1-4 LIVING ROOM CROWN
- 13 TRAVELER
- 12 BORDER
- 11 TREE PORTALS #1
- 10 2ND ELECTRIC
- 9 LEGS
- 8 BORDER
- 7 1-3 FLUORESCENT LIGHTS
- 6 ORCH SHELL #1
- 5 1ST ELECTRIC
- 4 7-4 SHIP HIRAP
- 3 TREE PORTALS #1
- 2 ACT CURTAIN
- 1 GUILLOTINE

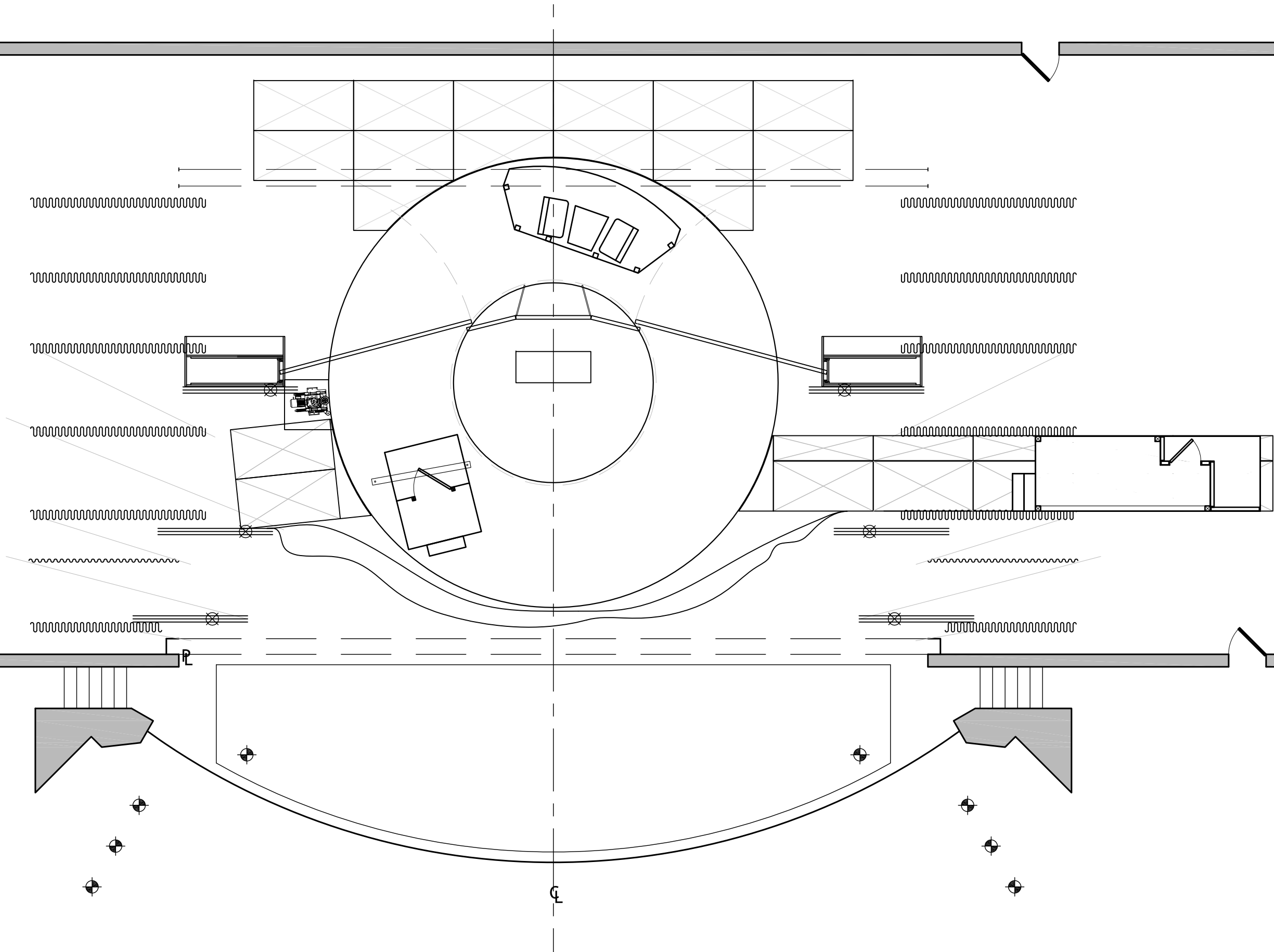


IHSTF 2012 ALL STATE
 ALMOST, MAINE
 BRADEN AUDITORIUM

PROLOGUE TO 1.1 TRANSITION	
DATE: 01.01.12	VERSION: 8
DIRECTOR: BEN STONER	SCALE: 1/8" = 1'-0"
DESIGNER: NICK QUINN	DWG BY: NQ



- 48 CYCLORAMA
- 47 8TH ELECTRIC
- 46 STAR DROP
- 45 SCRIM
- 44 TRAVELER
- 43
- 42 7TH ELECTRIC
- 41 BORDER
- 40 ORCH SHELL #5
- 39
- 38
- 37 TRAVELER
- 36 6TH ELECTRIC
- 35 BORDER
- 34
- 33 CENTER MASKING WALL
- 32 ORCH SHELL #4
- 31
- 30 TRAVELER
- 29
- 28 5TH ELECTRIC
- 27 BORDER
- 26 TREE PORTALS #3
- 25 ORCH SHELL #3
- 24
- 23
- 22 TRAVELER
- 21 4TH ELECTRIC
- 20 BORDER
- 19 1-1 PORCH ROOF
- 18 PROJECTION SCREEN
- 17 1-1 PORCH ROOF
- 16 3RD ELECTRIC
- 15 ORCH SHELL #2
- 14 1-4 LIVING ROOM CROWN
- 13 TRAVELER
- 12 BORDER
- 11 TREE PORTALS #1
- 10 2ND ELECTRIC
- 9 LEGS
- 8 BORDER
- 7 1-3 FLUORESCENT LIGHTS
- 6 ORCH SHELL #1
- 5 1ST ELECTRIC
- 4 7-4 SHIP HIRAP
- 3 TREE PORTALS #1
- 2 ACT CURTAIN
- 1 GUILLOTINE



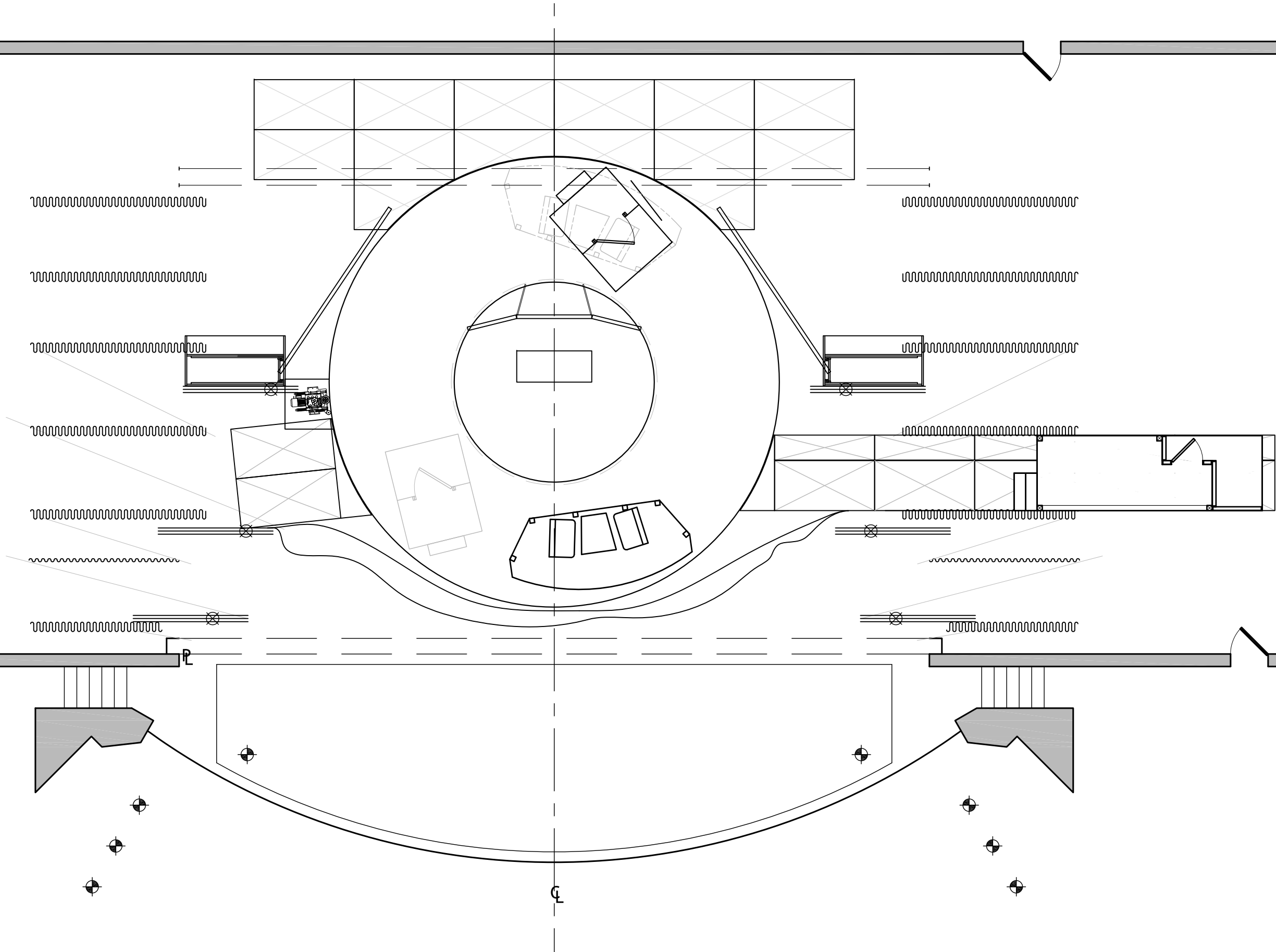
IHSTF 2012 ALL STATE
 ALMOST, MAINE
 BRADEN AUDITORIUM

1.1 HER HEART

DATE: 01.01.12 VERSION: 8
 DIRECTOR: BEN STONER SCALE: 1/8" = 1'-0"
 DESIGNER: NICK QUINN DWG BY: NQ



- 48 CYCLORAMA
- 47 8TH ELECTRIC
- 46 STAR DROP
- 45 SCRIM
- 44 TRAVELER
- 43
- 42 7TH ELECTRIC
- 41 BORDER
- 40 ORCH SHELL #5
- 39
- 38
- 37 TRAVELER
- 36 6TH ELECTRIC
- 35 BORDER
- 34
- 33 CENTER MASKING WALL
- 32 ORCH SHELL #4
- 31
- 30 TRAVELER
- 29
- 28 5TH ELECTRIC
- 27 BORDER
- 26 TREE PORTALS #3
- 25 ORCH SHELL #3
- 24
- 23
- 22 TRAVELER
- 21 4TH ELECTRIC
- 20 BORDER
- 19 1-1 PORCH ROOF
- 18 PROJECTION SCREEN
- 17 1-1 PORCH ROOF
- 16 3RD ELECTRIC
- 15 ORCH SHELL #2
- 14 1-4 LIVING ROOM CROWN
- 13 TRAVELER
- 12 BORDER
- 11 TREE PORTALS #1
- 10 2ND ELECTRIC
- 9 LEGS
- 8 BORDER
- 7 1-3 FLUORESCENT LIGHTS
- 6 ORCH SHELL #1
- 5 1ST ELECTRIC
- 4 7-4 SHIP HIRAP
- 3 TREE PORTALS #1
- 2 ACT CURTAIN
- 1 GUILLOTINE



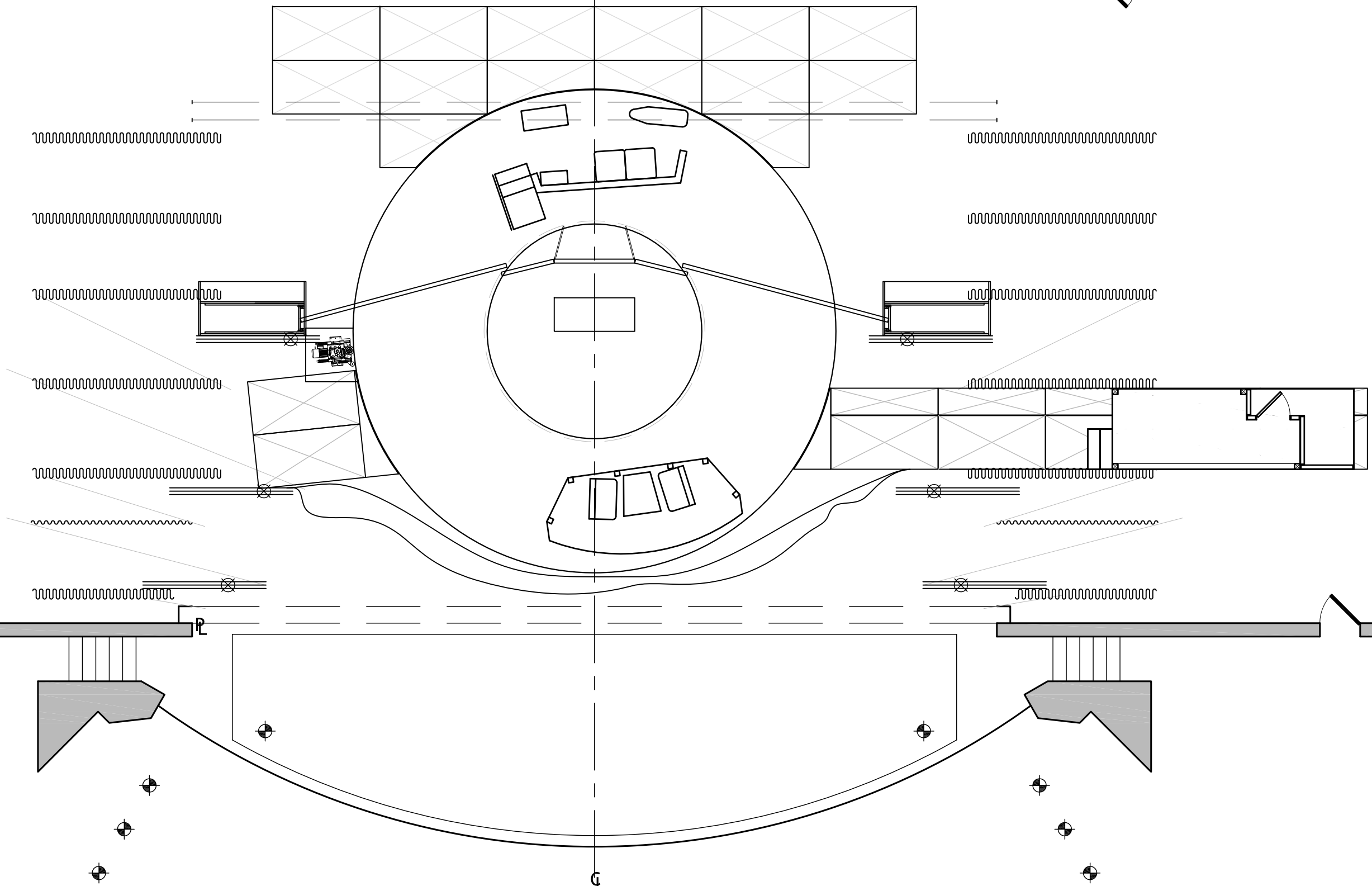
IHSTF 2012 ALL STATE
 ALMOST, MAINE
 BRADEN AUDITORIUM

1.1 TO 1.2 TRANSITION

DATE: 01.01.12	VERSION: 8
DIRECTOR: BEN STONER	SCALE: 1/8" = 1'-0"
DESIGNER: NICK QUINN	DWG BY: NQ



- 48 CYCLORAMA
- 47 8TH ELECTRIC
- 46 STAR DROP
- 45 SCRIM
- 44 TRAVELER
- 43
- 42 7TH ELECTRIC
- 41 BORDER
- 40 ORCH SHELL #5
- 39
- 38
- 37 TRAVELER
- 36 6TH ELECTRIC
- 35 BORDER
- 34
- 33 CENTER MASKING WALL
- 32 ORCH SHELL #4
- 31
- 30 TRAVELER
- 29
- 28 5TH ELECTRIC
- 27 BORDER
- 26 TREE PORTALS #3
- 25 ORCH SHELL #3
- 24
- 23
- 22 TRAVELER
- 21 4TH ELECTRIC
- 20 BORDER
- 19 1-1 PORCH ROOF
- 18 PROJECTION SCREEN
- 17 1-1 PORCH ROOF
- 16 3RD ELECTRIC
- 15 ORCH SHELL #2
- 14 1-4 LIVING ROOM CROWN
- 13 TRAVELER
- 12 BORDER
- 11 TREE PORTALS #1
- 10 2ND ELECTRIC
- 9 LEGS
- 8 BORDER
- 7 1-3 FLUORESCENT LIGHTS
- 6 ORCH SHELL #1
- 5 1ST ELECTRIC
- 4 7-4 SHIP HIRAP
- 3 TREE PORTALS #1
- 2 ACT CURTAIN
- 1 GUILLOTINE



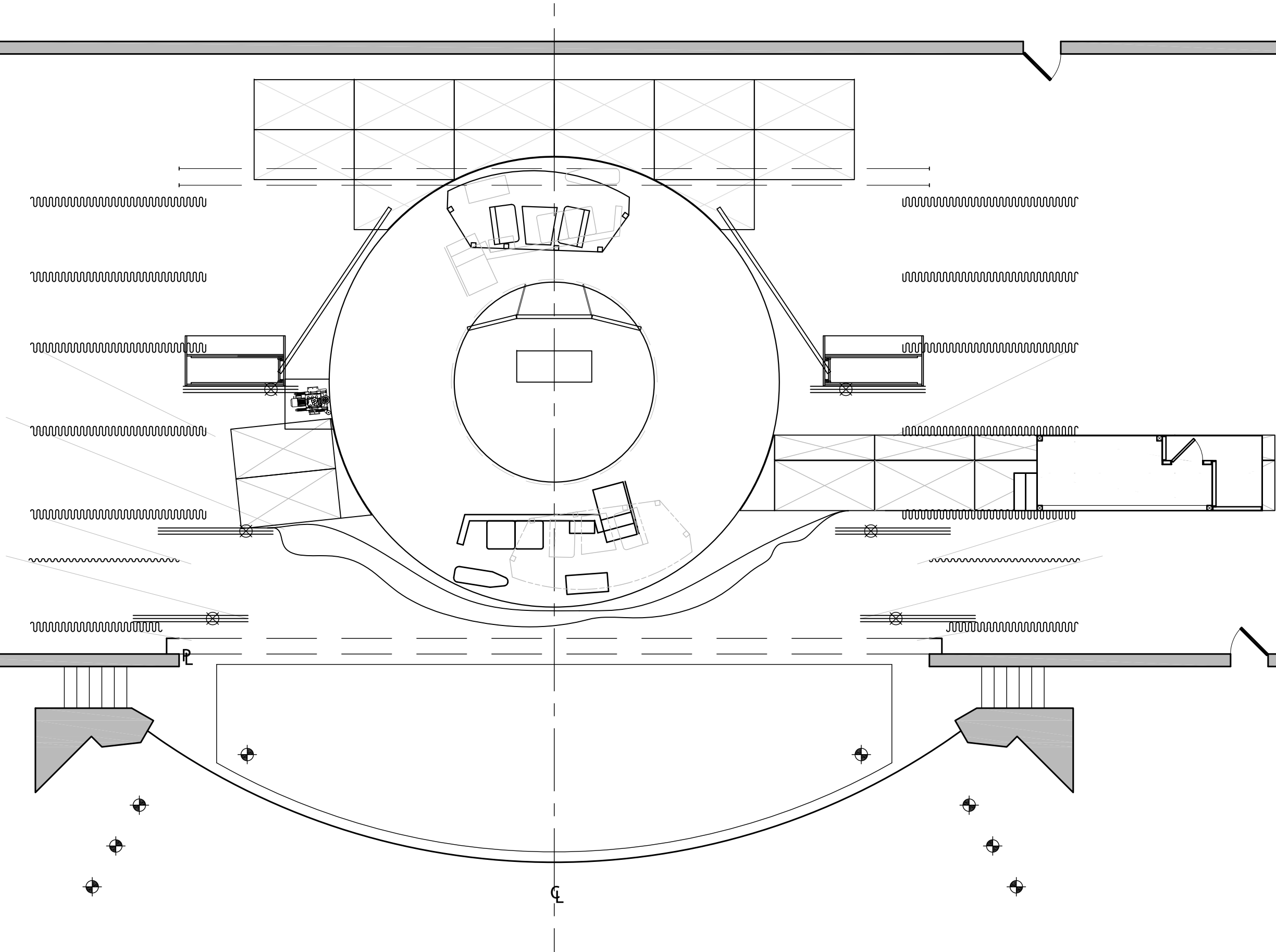
IHSTF 2012 ALL STATE
 ALMOST, MAINE
 BRADEN AUDITORIUM

1.2 SAD AND GLAD

DATE: 01.01.12	VERSION: 8
DIRECTOR: BEN STONER	SCALE: 1/8" = 1'-0"
DESIGNER: NICK QUINN	DWG BY: NQ



- 48 CYCLORAMA
- 47 8TH ELECTRIC
- 46 STAR DROP
- 45 SCRIM
- 44 TRAVELER
- 43
- 42 7TH ELECTRIC
- 41 BORDER
- 40 ORCH SHELL #5
- 39
- 38
- 37 TRAVELER
- 36 6TH ELECTRIC
- 35 BORDER
- 34
- 33 CENTER MASKING WALL
- 32 ORCH SHELL #4
- 31
- 30 TRAVELER
- 29
- 28 5TH ELECTRIC
- 27 BORDER
- 26 TREE PORTALS #3
- 25 ORCH SHELL #3
- 24
- 23
- 22 TRAVELER
- 21 4TH ELECTRIC
- 20 BORDER
- 19 1-1 PORCH ROOF
- 18 PROJECTION SCREEN
- 17 1-1 PORCH ROOF
- 16 3RD ELECTRIC
- 15 ORCH SHELL #2
- 14 1-4 LIVING ROOM CROWN
- 13 TRAVELER
- 12 BORDER
- 11 TREE PORTALS #1
- 10 2ND ELECTRIC
- 9 LEGS
- 8 BORDER
- 7 1-3 FLUORESCENT LIGHTS
- 6 ORCH SHELL #1
- 5 1ST ELECTRIC
- 4 7-4 SHIP HIRAP
- 3 TREE PORTALS #1
- 2 ACT CURTAIN
- 1 GUILLOTINE



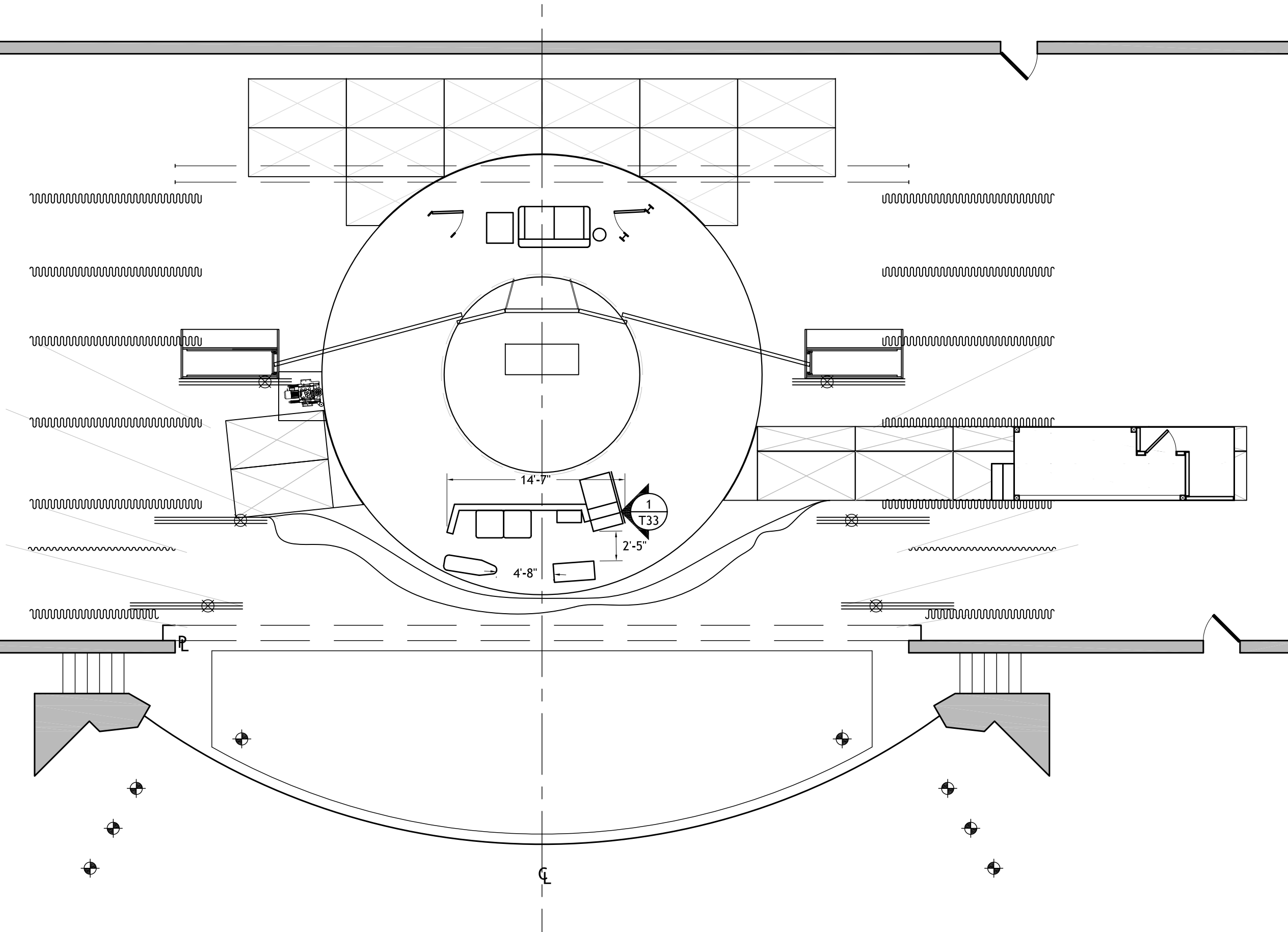
IHSTF 2012 ALL STATE
 ALMOST, MAINE
 BRADEN AUDITORIUM

1.2 TO 1.3 TRANSITION

DATE: 01.01.12	VERSION: 8
DIRECTOR: BEN STONER	SCALE: 1/8" = 1'-0"
DESIGNER: NICK QUINN	DWG BY: NQ



- 48 CYCLORAMA
- 47 8TH ELECTRIC
- 46 STAR DROP
- 45 SCRIM
- 44 TRAVELER
- 43
- 42 7TH ELECTRIC
- 41 BORDER
- 40 ORCH SHELL #5
- 39
- 38
- 37 TRAVELER
- 36 6TH ELECTRIC
- 35 BORDER
- 34
- 33 CENTER MASKING WALL
- 32 ORCH SHELL #4
- 31
- 30 TRAVELER
- 29
- 28 5TH ELECTRIC
- 27 BORDER
- 26 TREE PORTALS #3
- 25 ORCH SHELL #3
- 24
- 23
- 22 TRAVELER
- 21 4TH ELECTRIC
- 20 BORDER
- 19 1-1 PORCH ROOF
- 18 PROJECTION SCREEN
- 17 1-1 PORCH ROOF
- 16 3RD ELECTRIC
- 15 ORCH SHELL #2
- 14 1-4 LIVING ROOM CROWN
- 13 TRAVELER
- 12 BORDER
- 11 TREE PORTALS #1
- 10 2ND ELECTRIC
- 9 LEGS
- 8 BORDER
- 7 1-3 FLUORESCENT LIGHTS
- 6 ORCH SHELL #1
- 5 1ST ELECTRIC
- 4 7-4 SHIP HIRAP
- 3 TREE PORTALS #1
- 2 ACT CURTAIN
- 1 GUILLOTINE



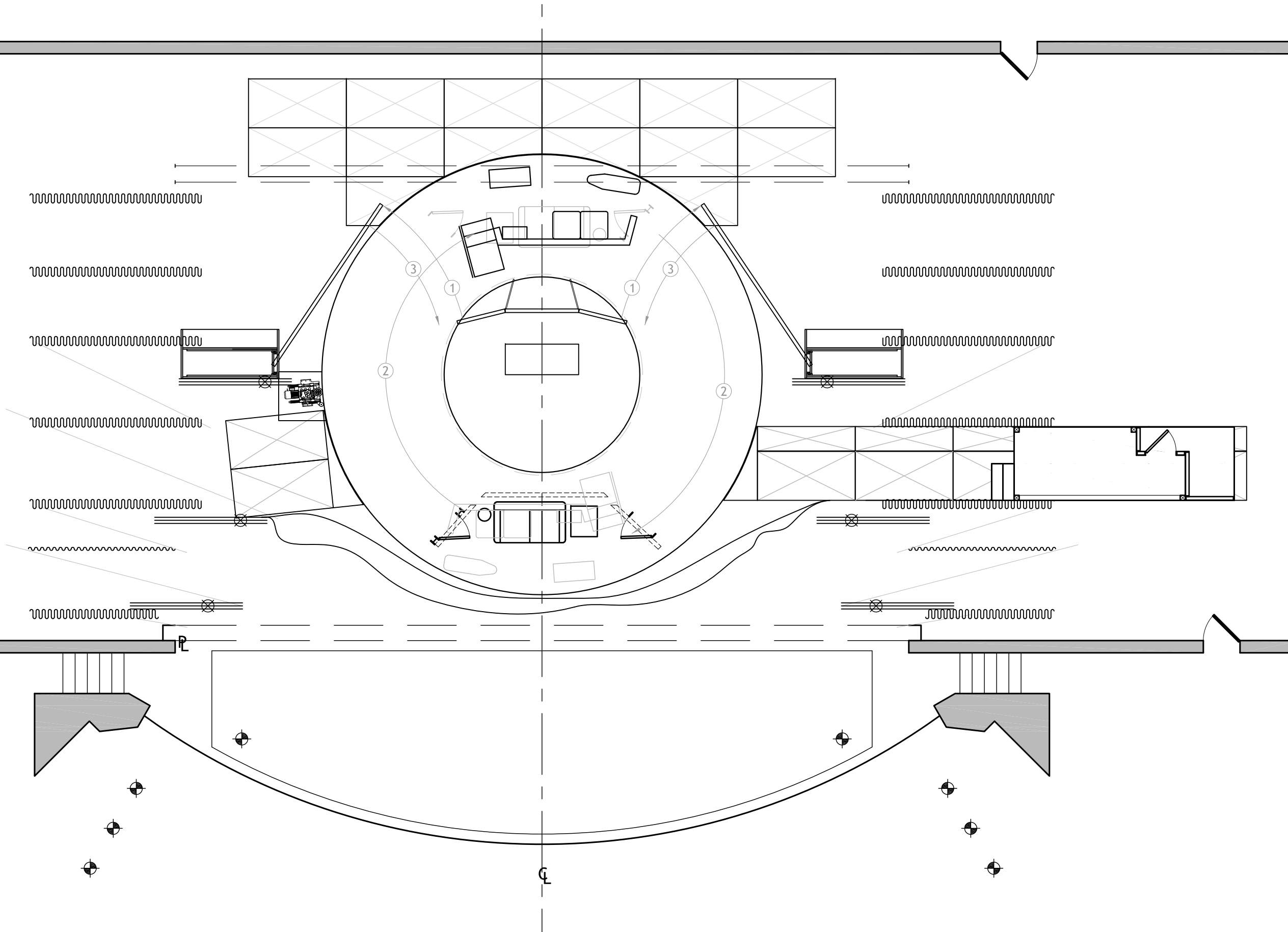
IHSTF 2012 ALL STATE
 ALMOST, MAINE
 BRADEN AUDITORIUM

1.3 THIS HURTS

DATE: 01.01.12	VERSION: 8
DIRECTOR: BEN STONER	SCALE: 1/8" = 1'-0"
DESIGNER: NICK QUINN	DWG BY: NQ



- 48 CYCLORAMA
- 47 8TH ELECTRIC
- 46 STAR DROP
- 45 SCRIM
- 44 TRAVELER
- 43
- 42 7TH ELECTRIC
- 41 BORDER
- 40 ORCH SHELL #5
- 39
- 38
- 37 TRAVELER
- 36 6TH ELECTRIC
- 35 BORDER
- 34
- 33 CENTER MASKING WALL
- 32 ORCH SHELL #4
- 31
- 30 TRAVELER
- 29
- 28 5TH ELECTRIC
- 27 BORDER
- 26 TREE PORTALS #3
- 25 ORCH SHELL #3
- 24
- 23
- 22 TRAVELER
- 21 4TH ELECTRIC
- 20 BORDER
- 19 1-1 PORCH ROOF
- 18 PROJECTION SCREEN
- 17 1-1 PORCH ROOF
- 16 3RD ELECTRIC
- 15 ORCH SHELL #2
- 14 1-4 LIVING ROOM CROWN
- 13 TRAVELER
- 12 BORDER
- 11 TREE PORTALS #1
- 10 2ND ELECTRIC
- 9 LEGS
- 8 BORDER
- 7 1-3 FLUORESCENT LIGHTS
- 6 ORCH SHELL #1
- 5 1ST ELECTRIC
- 4 7-4 SHIP HIRAP
- 3 TREE PORTALS #1
- 2 ACT CURTAIN
- 1 GUILLOTINE



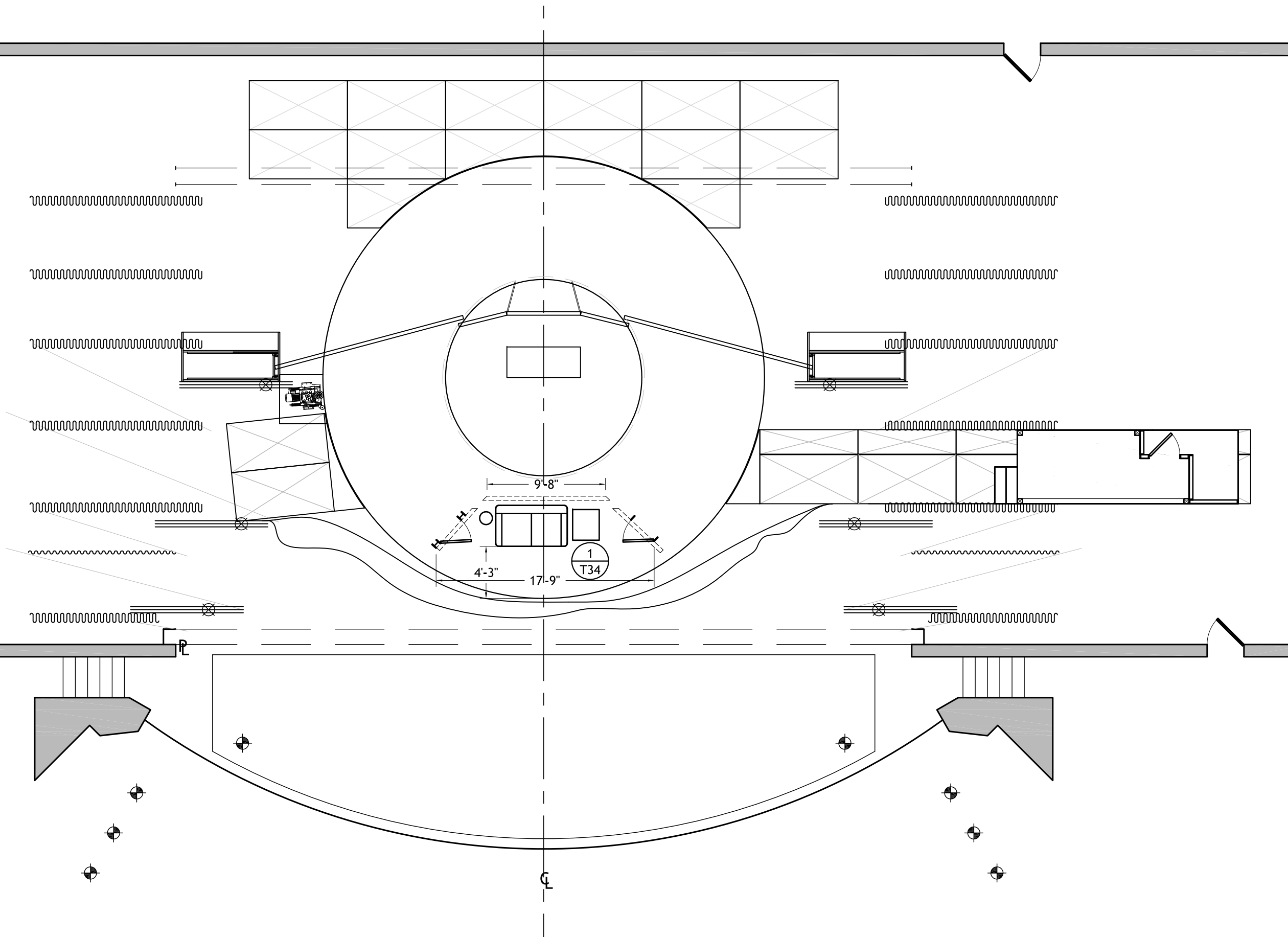
IHSTF 2012 ALL STATE
 ALMOST, MAINE
 BRADEN AUDITORIUM

1.3 TO 1.4 TRANSITION

DATE: 01.01.12	VERSION: 8
DIRECTOR: BEN STONER	SCALE: 1/8" = 1'-0"
DESIGNER: NICK QUINN	DWG BY: NQ



- 48 CYCLORAMA
- 47 8TH ELECTRIC
- 46 STAR DROP
- 45 SCRIM
- 44 TRAVELER
- 43
- 42 7TH ELECTRIC
- 41 BORDER
- 40 ORCH SHELL #5
- 39
- 38
- 37 TRAVELER
- 36 6TH ELECTRIC
- 35 BORDER
- 34
- 33 CENTER MASKING WALL
- 32 ORCH SHELL #4
- 31
- 30 TRAVELER
- 29
- 28 5TH ELECTRIC
- 27 BORDER
- 26 TREE PORTALS #3
- 25 ORCH SHELL #3
- 24
- 23
- 22 TRAVELER
- 21 4TH ELECTRIC
- 20 BORDER
- 19 1-1 PORCH ROOF
- 18 PROJECTION SCREEN
- 17 1-1 PORCH ROOF
- 16 3RD ELECTRIC
- 15 ORCH SHELL #2
- 14 1-4 LIVING ROOM CROWN
- 13 TRAVELER
- 12 BORDER
- 11 TREE PORTALS #1
- 10 2ND ELECTRIC
- 9 LEGS
- 8 BORDER
- 7 1-3 FLUORESCENT LIGHTS
- 6 ORCH SHELL #1
- 5 1ST ELECTRIC
- 4 7-4 SHIP HIRAP
- 3 TREE PORTALS #1
- 2 ACT CURTAIN
- 1 GUILLOTINE



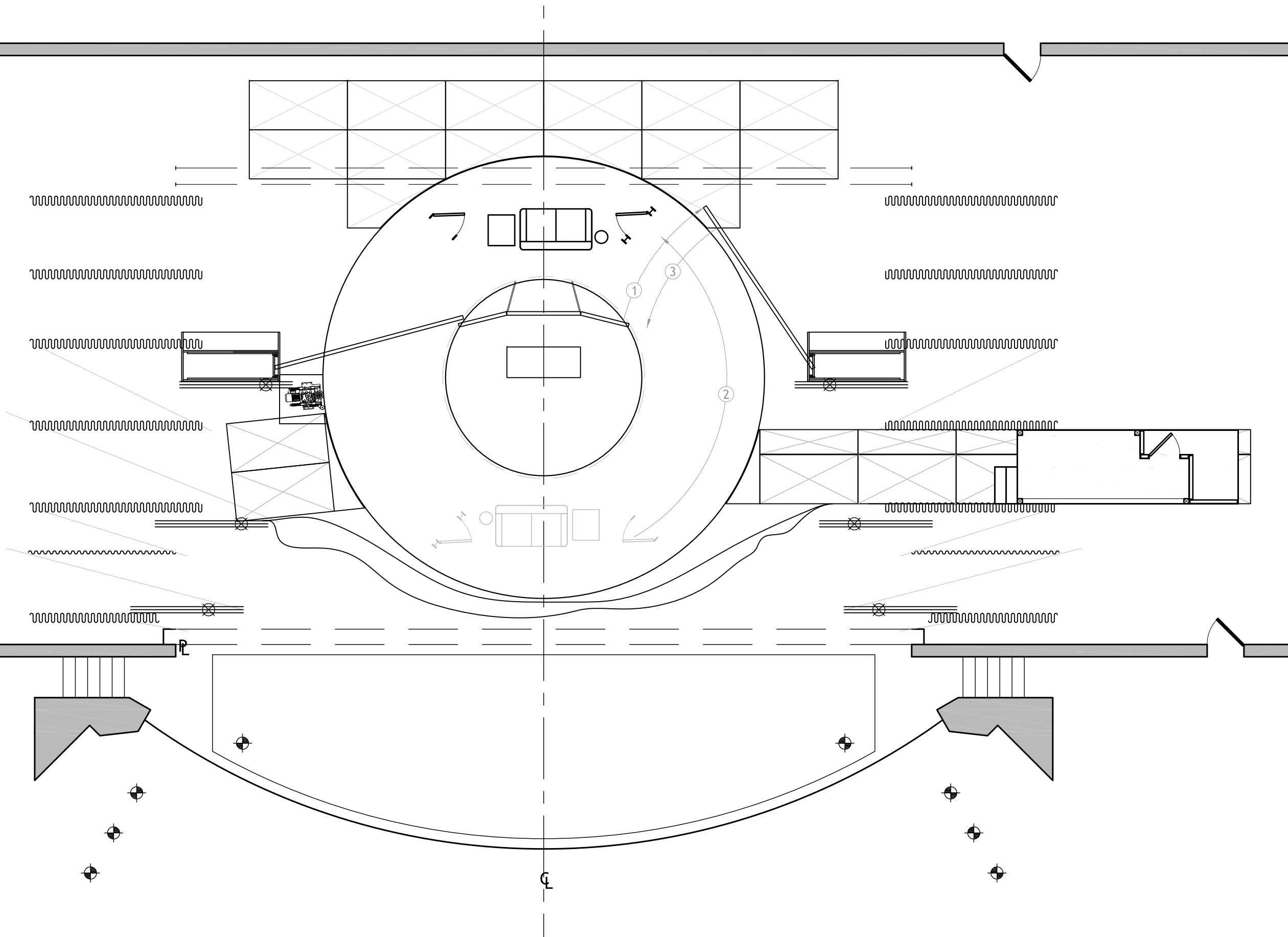
IHSTF 2012 ALL STATE
 ALMOST, MAINE
 BRADEN AUDITORIUM

1.4 GETTING IT BACK

DATE: 01.01.12	VERSION: 8
DIRECTOR: BEN STONER	SCALE: 1/8" = 1'-0"
DESIGNER: NICK QUINN	DWG BY: NQ



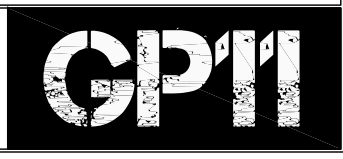
- 48 CYCLORAMA
- 47 8TH ELECTRIC
- 46 STAR DROP
- 45 SCRIM
- 44 TRAVELER
- 43
- 42 7TH ELECTRIC
- 41 BORDER
- 40 ORCH SHELL #5
- 39
- 38
- 37 TRAVELER
- 36 6TH ELECTRIC
- 35 BORDER
- 34
- 33 CENTER MASKING WALL
- 32 ORCH SHELL #4
- 31
- 30 TRAVELER
- 29
- 28 5TH ELECTRIC
- 27 BORDER
- 26 TREE PORTALS #3
- 25 ORCH SHELL #3
- 24
- 23
- 22 TRAVELER
- 21 4TH ELECTRIC
- 20 BORDER
- 19 1-1 PORCH ROOF
- 18 PROJECTION SCREEN
- 17 1-1 PORCH ROOF
- 16 3RD ELECTRIC
- 15 ORCH SHELL #2
- 14 1-4 LIVING ROOM CROWN
- 13 TRAVELER
- 12 BORDER
- 11 TREE PORTALS #1
- 10 2ND ELECTRIC
- 9 LEGS
- 8 BORDER
- 7 1-3 FLUORESCENT LIGHTS
- 6 ORCH SHELL #1
- 5 1ST ELECTRIC
- 4 7-4 SHIP HIRAP
- 3 TREE PORTALS #1
- 2 ACT CURTAIN
- 1 GUILLOTINE



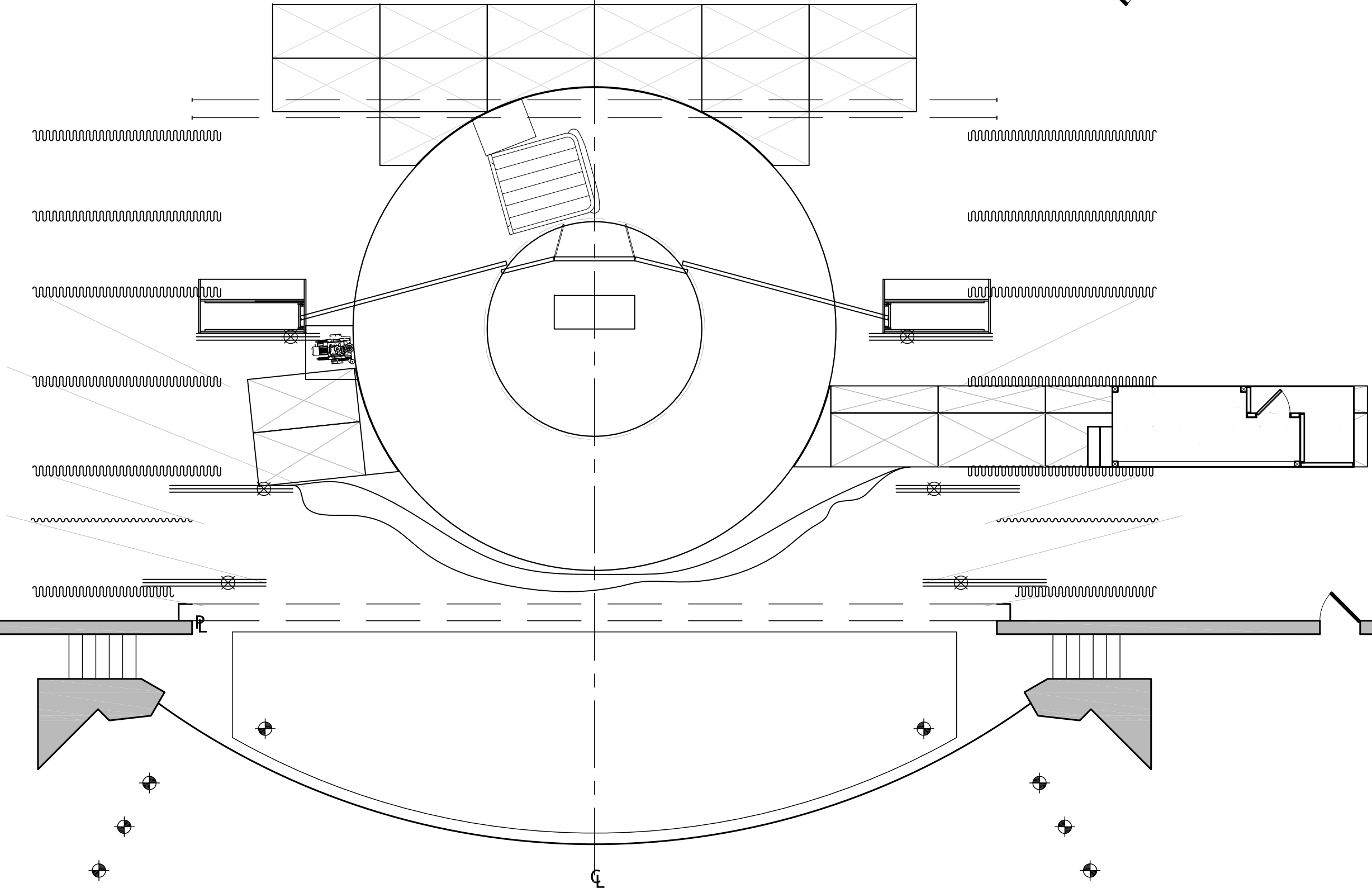
IHSTF 2012 ALL STATE
 ALMOST, MAINE
 BRADEN AUDITORIUM

1.4 TO INTERMISSION TRANSITION

DATE: 01.01.12	VERSION: 8
DIRECTOR: BEN STONER	SCALE: 1/8" = 1'-0"
DESIGNER: NICK QUINN	DWG BY: NQ



- 48 CYCLORAMA
- 47 8TH ELECTRIC
- 46 STAR DROP
- 45 SCRIM
- 44 TRAVELER
- 43
- 42 7TH ELECTRIC
- 41 BORDER
- 40 ORCH SHELL #5
- 39
- 38
- 37 TRAVELER
- 36 6TH ELECTRIC
- 35 BORDER
- 34
- 33 CENTER MASKING WALL
- 32 ORCH SHELL #4
- 31
- 30 TRAVELER
- 29
- 28 5TH ELECTRIC
- 27 BORDER
- 26 TREE PORTALS #3
- 25 ORCH SHELL #3
- 24
- 23
- 22 TRAVELER
- 21 4TH ELECTRIC
- 20 BORDER
- 19 1-1 PORCH ROOF
- 18 PROJECTION SCREEN
- 17 1-1 PORCH ROOF
- 16 3RD ELECTRIC
- 15 ORCH SHELL #2
- 14 1-4 LIVING ROOM CROWN
- 13 TRAVELER
- 12 BORDER
- 11 TREE PORTALS #1
- 10 2ND ELECTRIC
- 9 LEGS
- 8 BORDER
- 7 1-3 FLUORESCENT LIGHTS
- 6 ORCH SHELL #1
- 5 1ST ELECTRIC
- 4 7-4 SHIP HIRAP
- 3 TREE PORTALS #1
- 2 ACT CURTAIN
- 1 GUILLOTINE



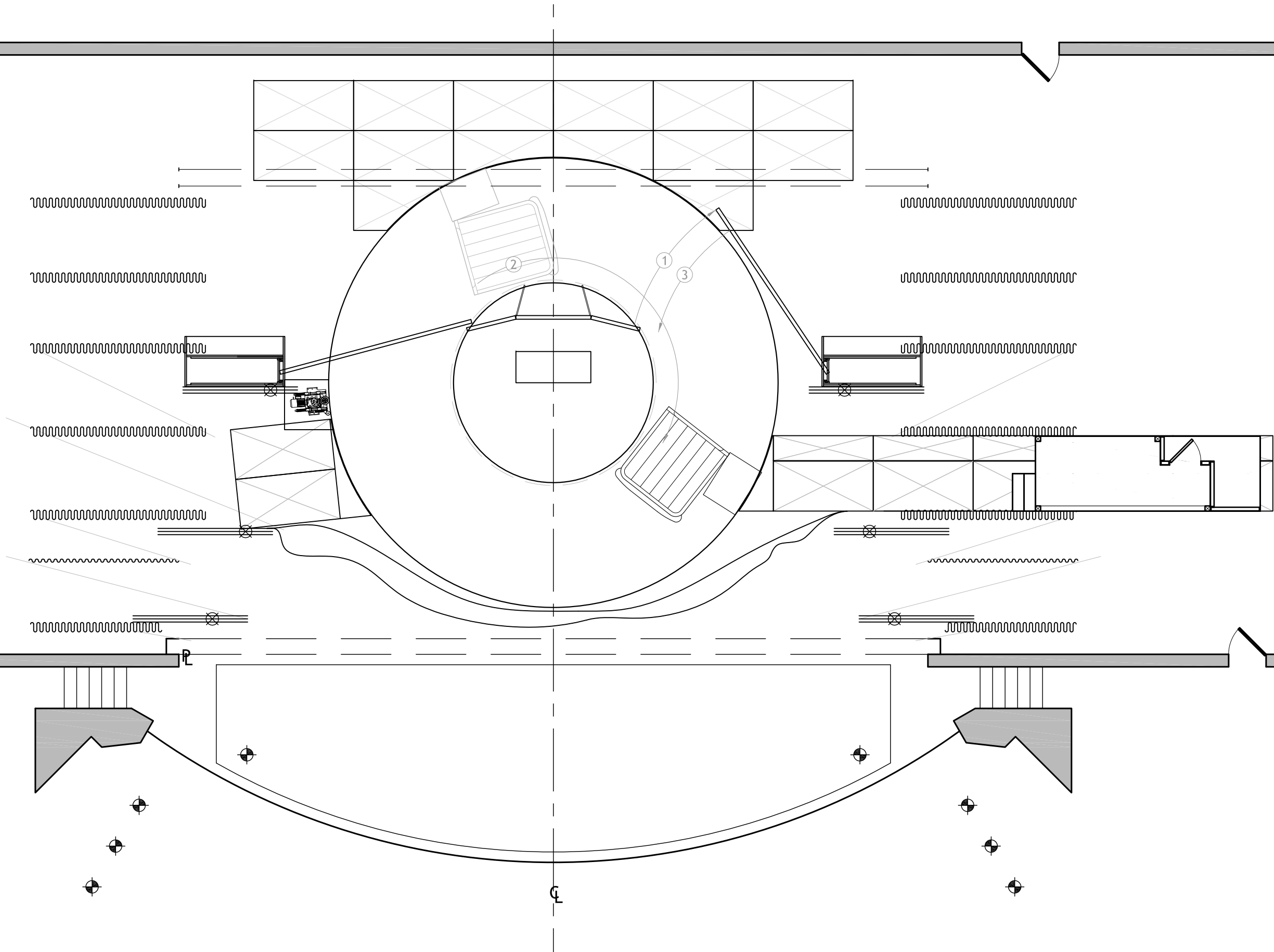
IHSTF 2012 ALL STATE
 ALMOST, MAINE
 BRADEN AUDITORIUM

INTERMITSSION

DATE: 01.01.12	VERSION: 8
DIRECTOR: BEN STONER	SCALE: 1/8" = 1'-0"
DESIGNER: NICK QUINN	DWG BY: NQ



- 48 CYCLORAMA
- 47 8TH ELECTRIC
- 46 STAR DROP
- 45 SCRIM
- 44 TRAVELER
- 43
- 42 7TH ELECTRIC
- 41 BORDER
- 40 ORCH SHELL #5
- 39
- 38
- 37 TRAVELER
- 36 6TH ELECTRIC
- 35 BORDER
- 34
- 33 CENTER MASKING WALL
- 32 ORCH SHELL #4
- 31
- 30 TRAVELER
- 29
- 28 5TH ELECTRIC
- 27 BORDER
- 26 TREE PORTALS #3
- 25 ORCH SHELL #3
- 24
- 23
- 22 TRAVELER
- 21 4TH ELECTRIC
- 20 BORDER
- 19 1-1 PORCH ROOF
- 18 PROJECTION SCREEN
- 17 1-1 PORCH ROOF
- 16 3RD ELECTRIC
- 15 ORCH SHELL #2
- 14 1-4 LIVING ROOM CROWN
- 13 TRAVELER
- 12 BORDER
- 11 TREE PORTALS #1
- 10 2ND ELECTRIC
- 9 LEGS
- 8 BORDER
- 7 1-3 FLUORESCENT LIGHTS
- 6 ORCH SHELL #1
- 5 1ST ELECTRIC
- 4 7-4 SHIP HIRAP
- 3 TREE PORTALS #1
- 2 ACT CURTAIN
- 1 GUILLOTINE

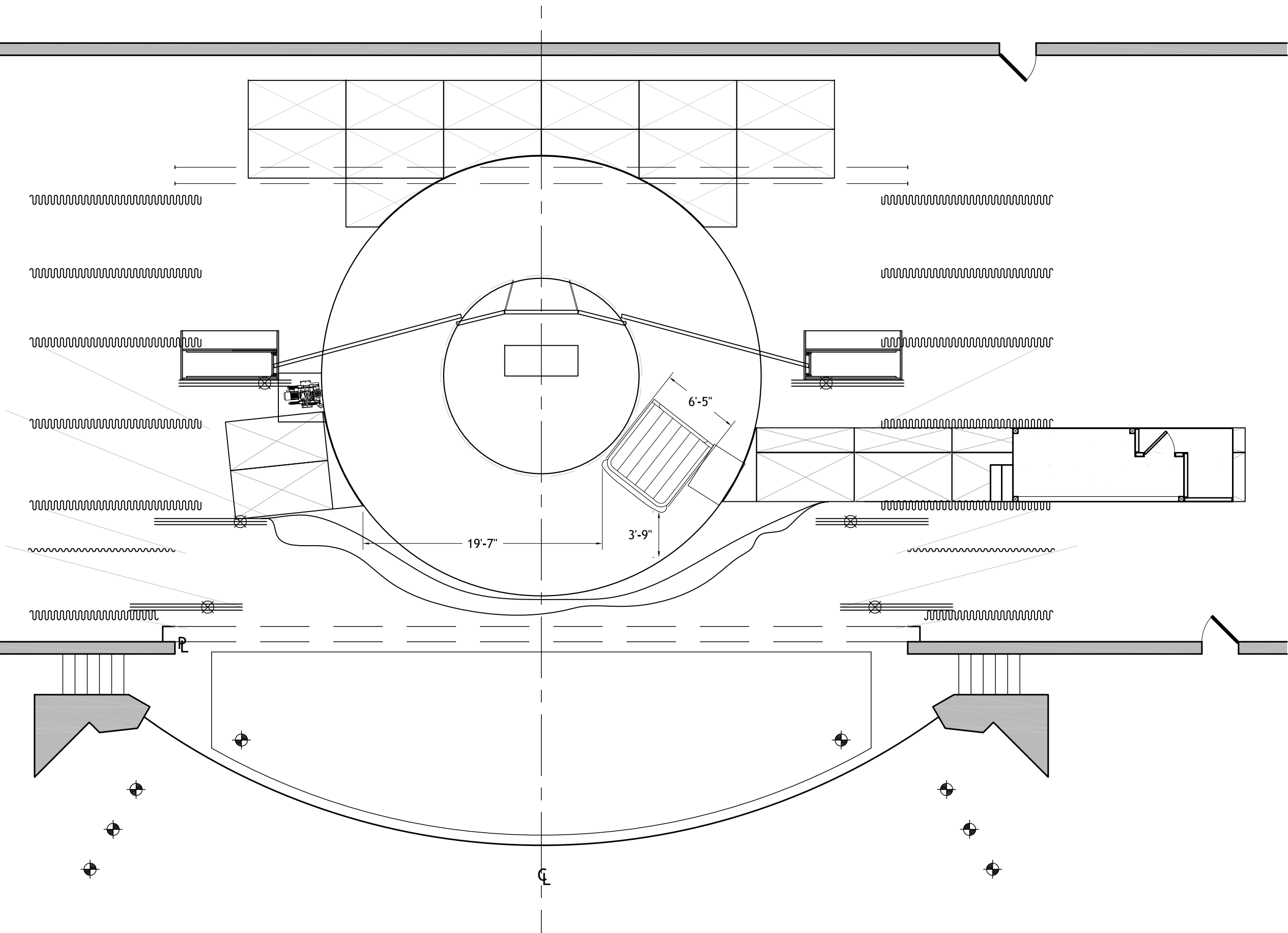


IHSTF 2012 ALL STATE
 ALMOST, MAINE
 BRADEN AUDITORIUM

INTERMISSION TO 2.5 TRANSITION
 DATE: 01.01.12 VERSION: 8
 DIRECTOR: BEN STONER SCALE: 1/8" = 1'-0"
 DESIGNER: NICK QUINN DWG BY: NQ



- 48 CYCLORAMA
- 47 8TH ELECTRIC
- 46 STAR DROP
- 45 SCRIM
- 44 TRAVELER
- 43
- 42 7TH ELECTRIC
- 41 BORDER
- 40 ORCH SHELL #5
- 39
- 38
- 37 TRAVELER
- 36 6TH ELECTRIC
- 35 BORDER
- 34
- 33 CENTER MASKING WALL
- 32 ORCH SHELL #4
- 31
- 30 TRAVELER
- 29
- 28 5TH ELECTRIC
- 27 BORDER
- 26 TREE PORTALS #3
- 25 ORCH SHELL #3
- 24
- 23
- 22 TRAVELER
- 21 4TH ELECTRIC
- 20 BORDER
- 19 1-1 PORCH ROOF
- 18 PROJECTION SCREEN
- 17 1-1 PORCH ROOF
- 16 3RD ELECTRIC
- 15 ORCH SHELL #2
- 14 1-4 LIVING ROOM CROWN
- 13 TRAVELER
- 12 BORDER
- 11 TREE PORTALS #1
- 10 2ND ELECTRIC
- 9 LEGS
- 8 BORDER
- 7 1-3 FLUORESCENT LIGHTS
- 6 ORCH SHELL #1
- 5 1ST ELECTRIC
- 4 7-4 SHIP HIRAP
- 3 TREE PORTALS #1
- 2 ACT CURTAIN
- 1 GUILLOTINE



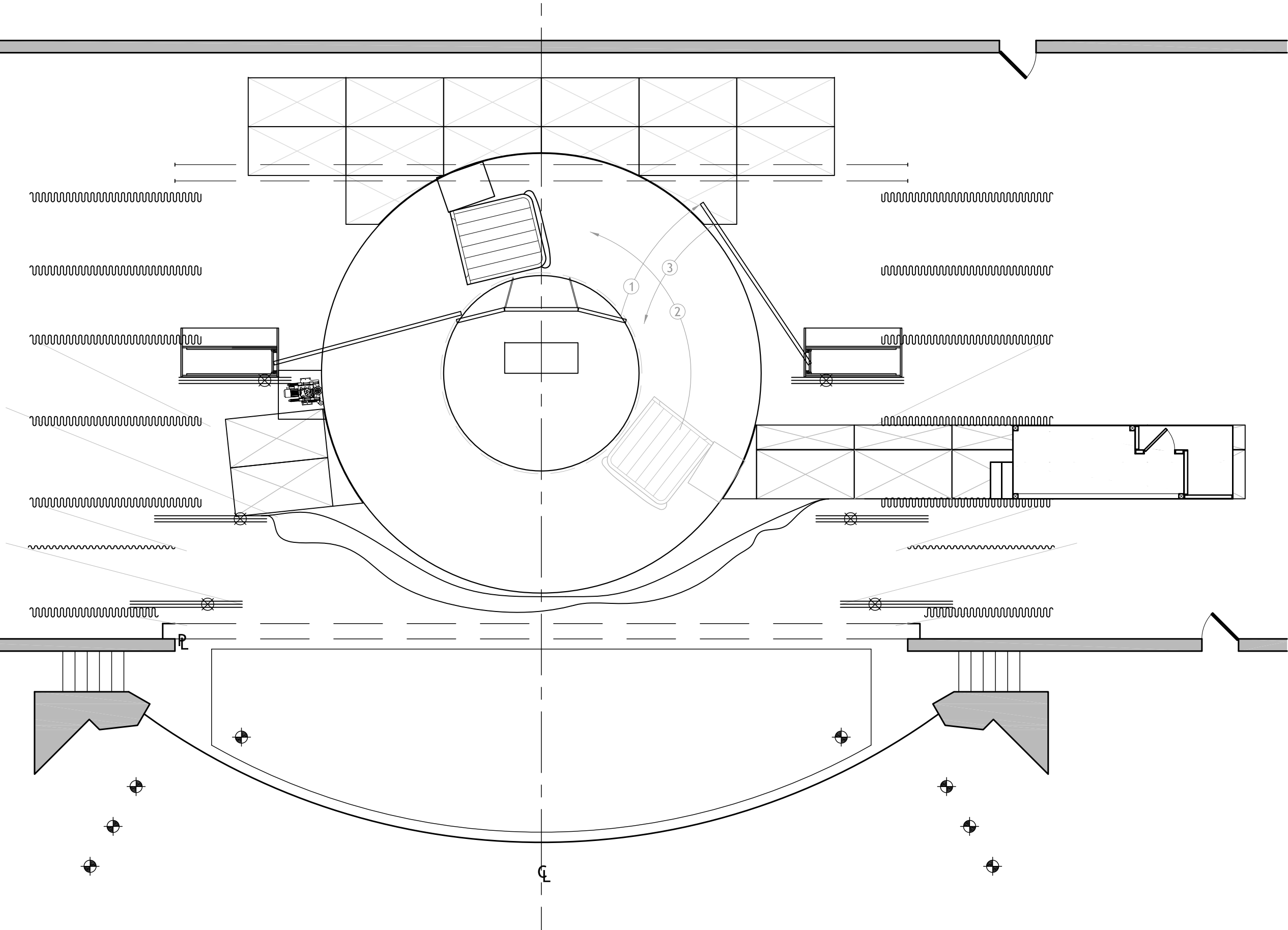
IHSTF 2012 ALL STATE
 ALMOST, MAINE
 BRADEN AUDITORIUM

2.5 THEY FELL

DATE: 01.01.12 VERSION: 8
 DIRECTOR: BEN STONER SCALE: 1/8" = 1'-0"
 DESIGNER: NICK QUINN DWG BY: NQ



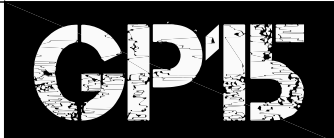
- 48 CYCLORAMA
- 47 8TH ELECTRIC
- 46 STAR DROP
- 45 SCRIM
- 44 TRAVELER
- 43
- 42 7TH ELECTRIC
- 41 BORDER
- 40 ORCH SHELL #5
- 39
- 38
- 37 TRAVELER
- 36 6TH ELECTRIC
- 35 BORDER
- 34
- 33 CENTER MASKING WALL
- 32 ORCH SHELL #4
- 31
- 30 TRAVELER
- 29
- 28 5TH ELECTRIC
- 27 BORDER
- 26 TREE PORTALS #3
- 25 ORCH SHELL #3
- 24
- 23
- 22 TRAVELER
- 21 4TH ELECTRIC
- 20 BORDER
- 19 1-1 PORCH ROOF
- 18 PROJECTION SCREEN
- 17 1-1 PORCH ROOF
- 16 3RD ELECTRIC
- 15 ORCH SHELL #2
- 14 1-4 LIVING ROOM CROWN
- 13 TRAVELER
- 12 BORDER
- 11 TREE PORTALS #1
- 10 2ND ELECTRIC
- 9 LEGS
- 8 BORDER
- 7 1-3 FLUORESCENT LIGHTS
- 6 ORCH SHELL #1
- 5 1ST ELECTRIC
- 4 7-8 SHIP HIRAP
- 3 TREE PORTALS #1
- 2 ACT CURTAIN
- 1 GUILLOTINE



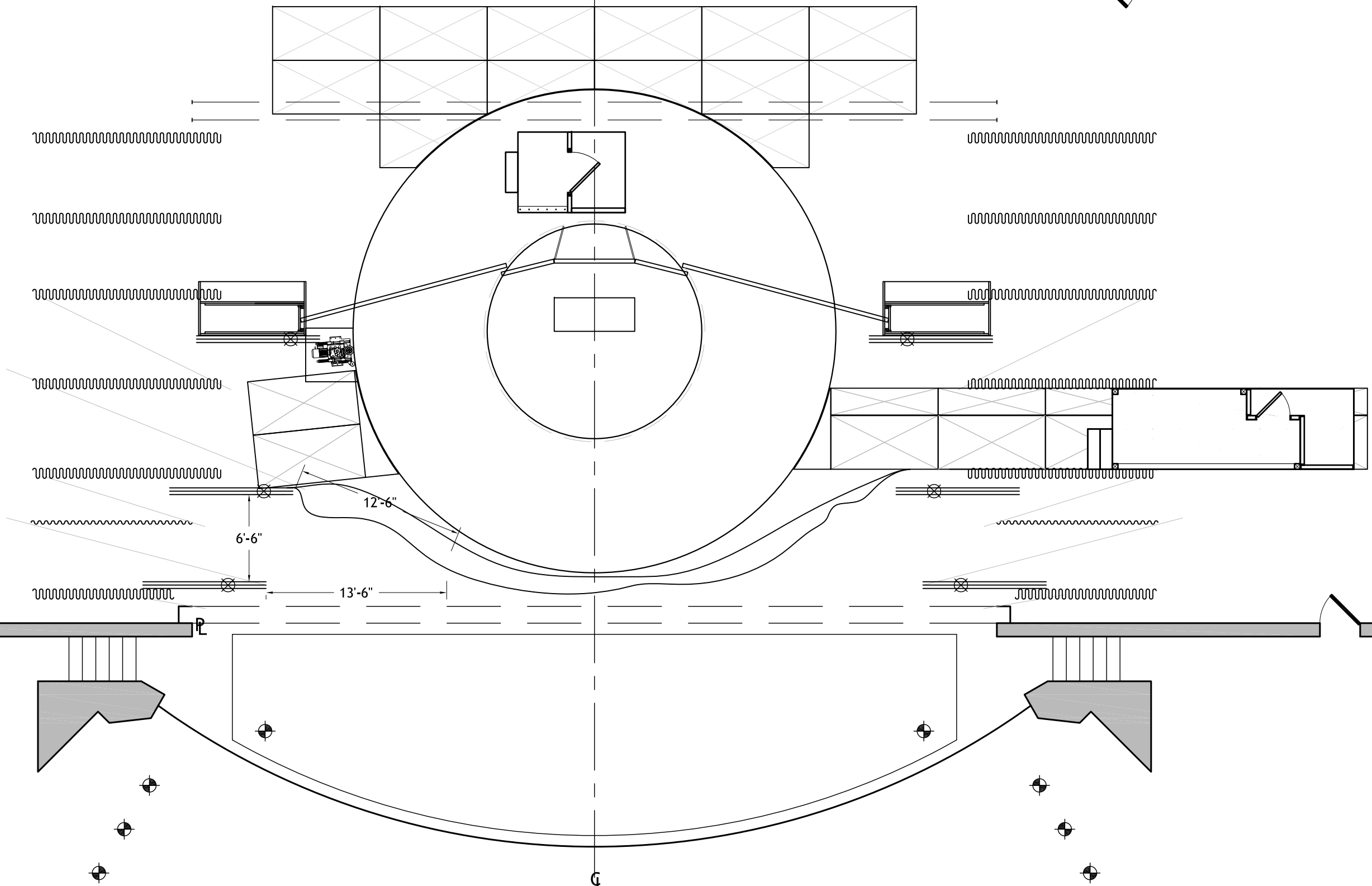
IHSTF 2012 ALL STATE
 ALMOST, MAINE
 BRADEN AUDITORIUM

2.5 TO 2.6 TRANSITION

DATE: 01.01.12	VERSION: 8
DIRECTOR: BEN STONER	SCALE: 1/8" = 1'-0"
DESIGNER: NICK QUINN	DWG BY: NQ



- 48 CYCLORAMA
- 47 8TH ELECTRIC
- 46 STAR DROP
- 45 SCRIM
- 44 TRAVELER
- 43
- 42 7TH ELECTRIC
- 41 BORDER
- 40 ORCH SHELL #5
- 39
- 38
- 37 TRAVELER
- 36 6TH ELECTRIC
- 35 BORDER
- 34
- 33 CENTER MASKING WALL
- 32 ORCH SHELL #4
- 31
- 30 TRAVELER
- 29
- 28 5TH ELECTRIC
- 27 BORDER
- 26 TREE PORTALS #3
- 25 ORCH SHELL #3
- 24
- 23
- 22 TRAVELER
- 21 4TH ELECTRIC
- 20 BORDER
- 19 1-1 PORCH ROOF
- 18 PROJECTION SCREEN
- 17 1-1 PORCH ROOF
- 16 3RD ELECTRIC
- 15 ORCH SHELL #2
- 14 1-4 LIVING ROOM CROWN
- 13 TRAVELER
- 12 BORDER
- 11 TREE PORTALS #1
- 10 2ND ELECTRIC
- 9 LEGS
- 8 BORDER
- 7 1-3 FLUORESCENT LIGHTS
- 6 ORCH SHELL #1
- 5 1ST ELECTRIC
- 4 2-2 SHIP HIRAP
- 3 TREE PORTALS #1
- 2 ACT CURTAIN
- 1 GUILLOTINE



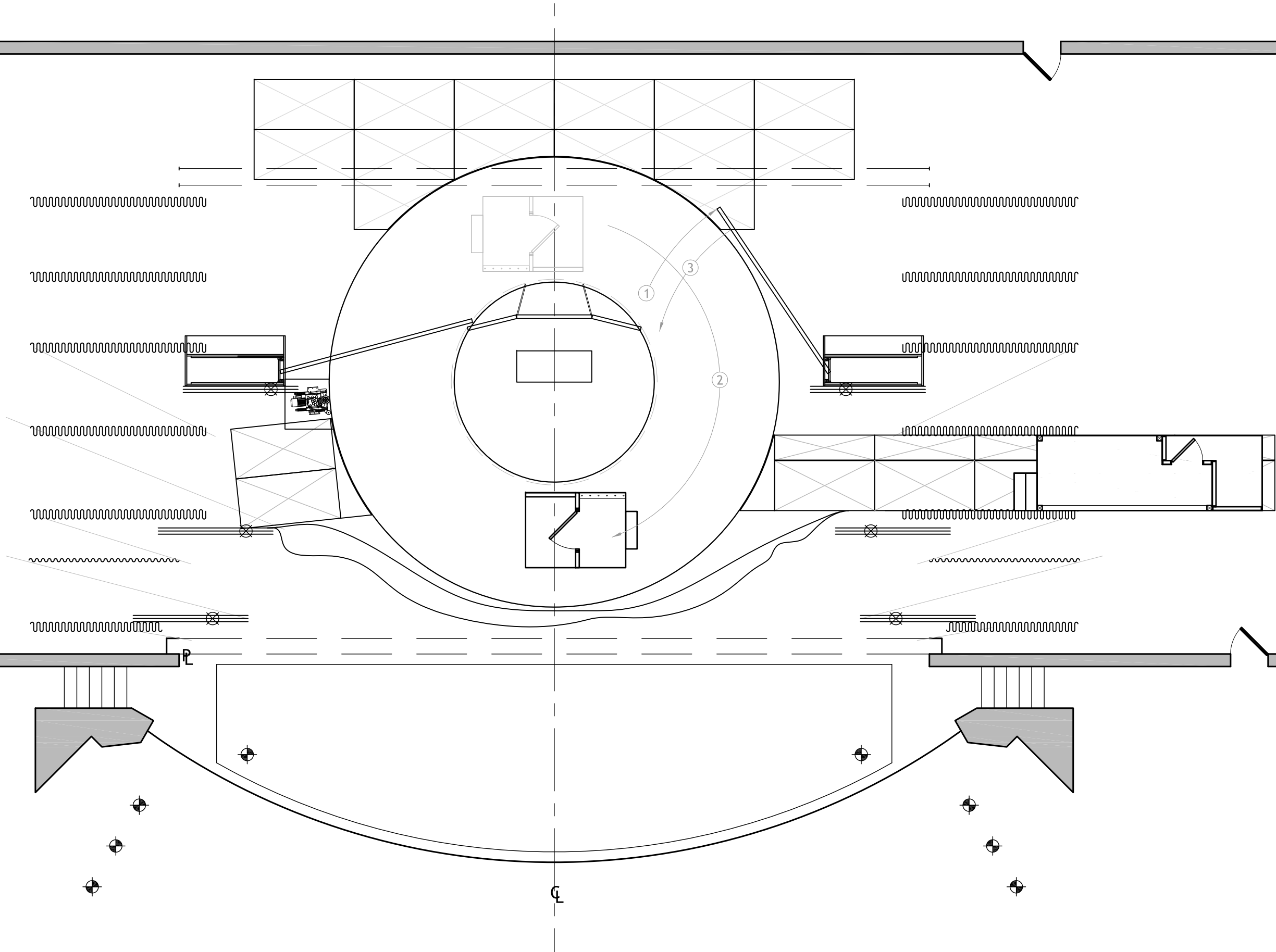
IHSTF 2012 ALL STATE
 ALMOST, MAINE
 BRADEN AUDITORIUM

2.6 WHERE IT WENT

DATE: 01.01.12	VERSION: 8
DIRECTOR: BEN STONER	SCALE: 1/8" = 1'-0"
DESIGNER: NICK QUINN	DWG BY: NQ



- 48 CYCLORAMA
- 47 8TH ELECTRIC
- 46 STAR DROP
- 45 SCRIM
- 44 TRAVELER
- 43
- 42 7TH ELECTRIC
- 41 BORDER
- 40 ORCH SHELL #5
- 39
- 38
- 37 TRAVELER
- 36 6TH ELECTRIC
- 35 BORDER
- 34
- 33 CENTER MASKING WALL
- 32 ORCH SHELL #4
- 31
- 30 TRAVELER
- 29
- 28 5TH ELECTRIC
- 27 BORDER
- 26 TREE PORTALS #3
- 25 ORCH SHELL #3
- 24
- 23
- 22 TRAVELER
- 21 4TH ELECTRIC
- 20 BORDER
- 19 1-1 PORCH ROOF
- 18 PROJECTION SCREEN
- 17 1-1 PORCH ROOF
- 16 3RD ELECTRIC
- 15 ORCH SHELL #2
- 14 1-4 LIVING ROOM CROWN
- 13 TRAVELER
- 12 BORDER
- 11 TREE PORTALS #1
- 10 2ND ELECTRIC
- 9 LEGS
- 8 BORDER
- 7 1-3 FLUORESCENT LIGHTS
- 6 ORCH SHELL #1
- 5 1ST ELECTRIC
- 4 7-6 SHIP HIRAP
- 3 TREE PORTALS #1
- 2 ACT CURTAIN
- 1 GUILLOTINE



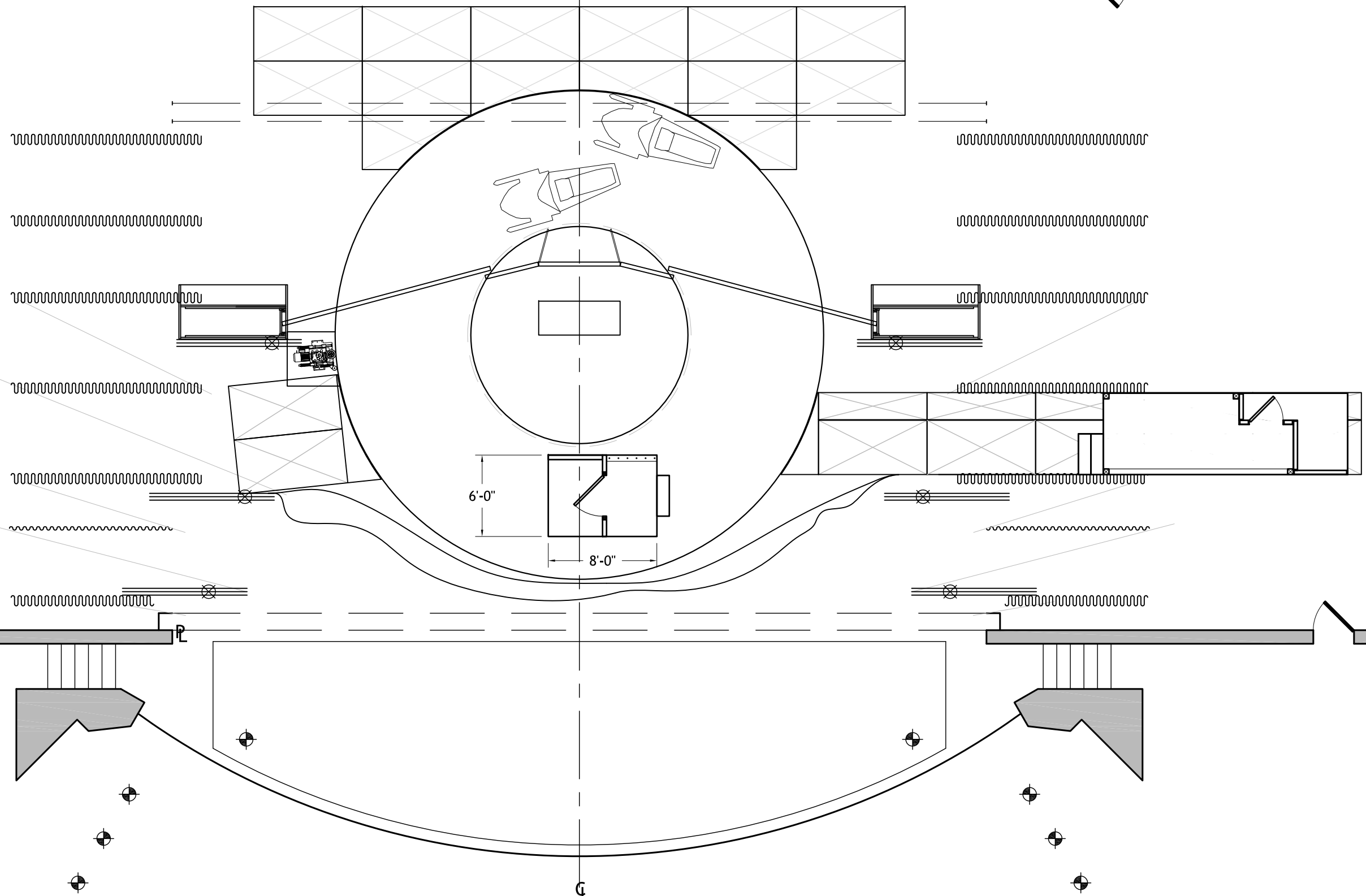
IHSTF 2012 ALL STATE
 ALMOST, MAINE
 BRADEN AUDITORIUM

2.6 TO 2.7 TRANSITION

DATE: 01.01.12	VERSION: 8
DIRECTOR: BEN STONER	SCALE: 1/8" = 1'-0"
DESIGNER: NICK QUINN	DWG BY: NQ



- 48 CYCLORAMA
- 47 8TH ELECTRIC
- 46 STAR DROP
- 45 SCRIM
- 44 TRAVELER
- 43
- 42 7TH ELECTRIC
- 41 BORDER
- 40 ORCH SHELL #5
- 39
- 38
- 37 TRAVELER
- 36 6TH ELECTRIC
- 35 BORDER
- 34
- 33 CENTER MASKING WALL
- 32 ORCH SHELL #4
- 31
- 30 TRAVELER
- 29
- 28 5TH ELECTRIC
- 27 BORDER
- 26 TREE PORTALS #3
- 25 ORCH SHELL #3
- 24
- 23
- 22 TRAVELER
- 21 4TH ELECTRIC
- 20 BORDER
- 19 1-1 PORCH ROOF
- 18 PROJECTION SCREEN
- 17 1-1 PORCH ROOF
- 16 3RD ELECTRIC
- 15 ORCH SHELL #2
- 14 1-4 LIVING ROOM CROWN
- 13 TRAVELER
- 12 BORDER
- 11 TREE PORTALS #1
- 10 2ND ELECTRIC
- 9 LEGS
- 8 BORDER
- 7 1-3 FLUORESCENT LIGHTS
- 6 ORCH SHELL #1
- 5 1ST ELECTRIC
- 4 7-6 SHIP HIRAP
- 3 TREE PORTALS #1
- 2 ACT CURTAIN
- 1 GUILLOTINE



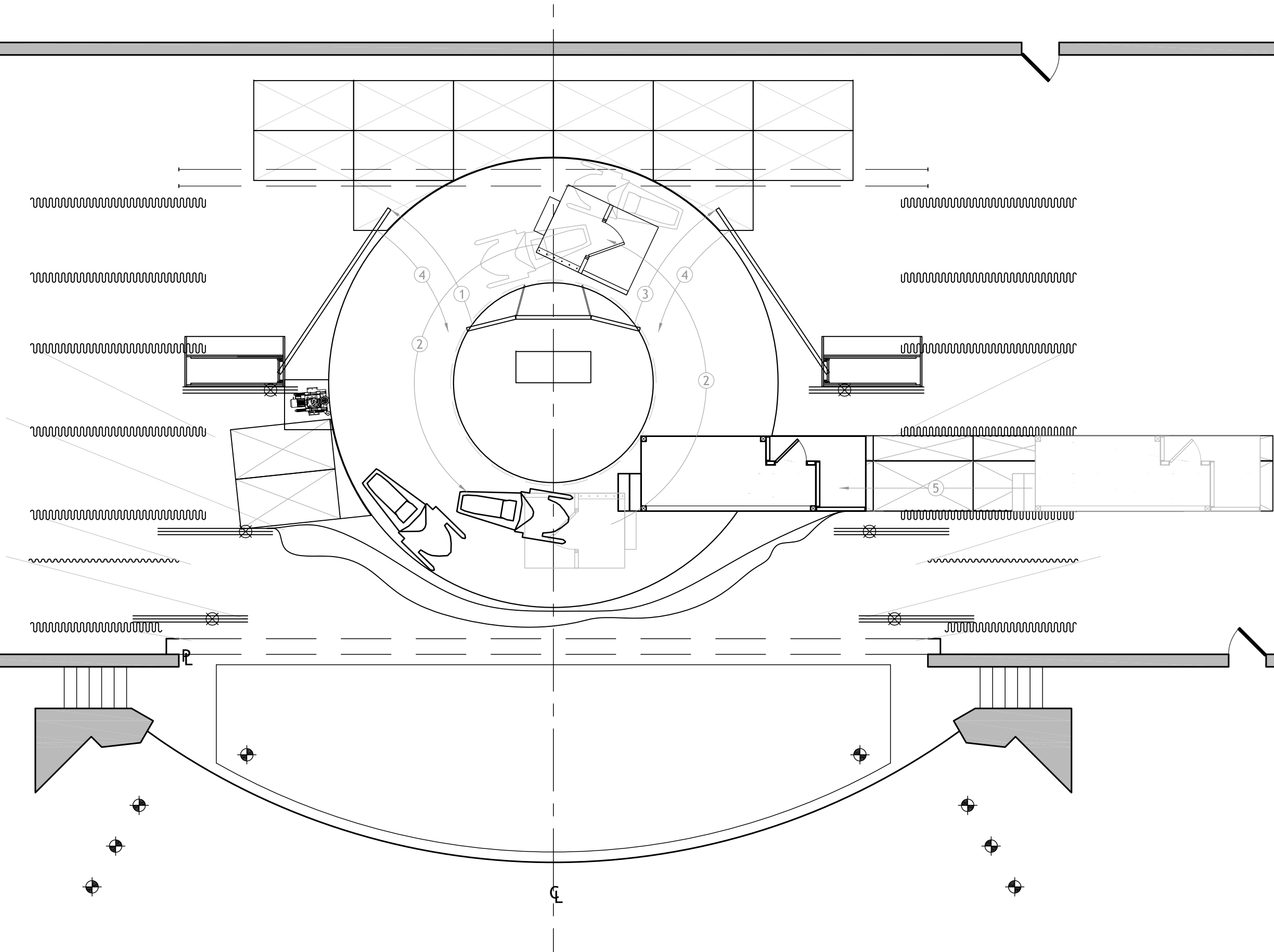
IHSTF 2012 ALL STATE
 ALMOST, MAINE
 BRADEN AUDITORIUM

2.7 STORY OF HOPE

DATE: 01.01.12	VERSION: 8
DIRECTOR: BEN STONER	SCALE: 1/8" = 1'-0"
DESIGNER: NICK QUINN	DWG BY: NQ



- 48 CYCLORAMA
- 47 8TH ELECTRIC
- 46 STAR DROP
- 45 SCRIM
- 44 TRAVELER
- 43
- 42 7TH ELECTRIC
- 41 BORDER
- 40 ORCH SHELL #5
- 39
- 38
- 37 TRAVELER
- 36 6TH ELECTRIC
- 35 BORDER
- 34
- 33 CENTER MASKING WALL
- 32 ORCH SHELL #4
- 31
- 30 TRAVELER
- 29
- 28 5TH ELECTRIC
- 27 BORDER
- 26 TREE PORTALS #3
- 25 ORCH SHELL #3
- 24
- 23
- 22 TRAVELER
- 21 4TH ELECTRIC
- 20 BORDER
- 19 1-1 PORCH ROOF
- 18 PROJECTION SCREEN
- 17 1-1 PORCH ROOF
- 16 3RD ELECTRIC
- 15 ORCH SHELL #2
- 14 1-4 LIVING ROOM CROWN
- 13 TRAVELER
- 12 BORDER
- 11 TREE PORTALS #1
- 10 2ND ELECTRIC
- 9 LEGS
- 8 BORDER
- 7 1-3 FLUORESCENT LIGHTS
- 6 ORCH SHELL #1
- 5 1ST ELECTRIC
- 4 7-8 SHIP HIRAP
- 3 TREE PORTALS #1
- 2 ACT CURTAIN
- 1 GUILLOTINE

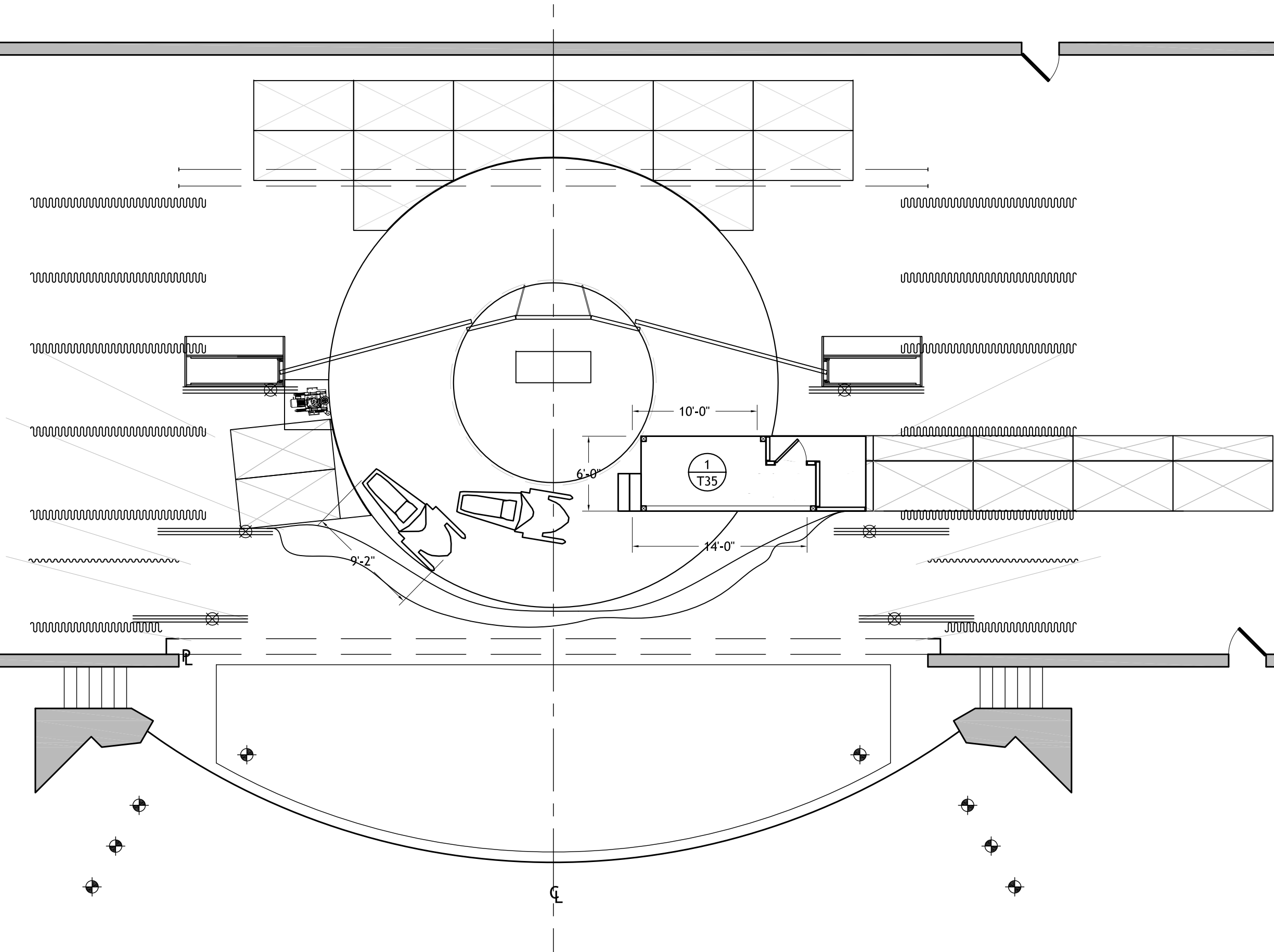


IHSTF 2012 ALL STATE
 ALMOST, MAINE
 BRADEN AUDITORIUM

2.7 TO 2.8 TRANSITION
 DATE: 01.01.12 VERSION: 8
 DIRECTOR: BEN STONER SCALE: 1/8" = 1'-0"
 DESIGNER: NICK QUINN DWG BY: NQ



- 48 CYCLORAMA
- 47 8TH ELECTRIC
- 46 STAR DROP
- 45 SCRIM
- 44 TRAVELER
- 43
- 42 7TH ELECTRIC
- 41 BORDER
- 40 ORCH SHELL #5
- 39
- 38
- 37 TRAVELER
- 36 6TH ELECTRIC
- 35 BORDER
- 34
- 33 CENTER MASKING WALL
- 32 ORCH SHELL #4
- 31
- 30 TRAVELER
- 29
- 28 5TH ELECTRIC
- 27 BORDER
- 26 TREE PORTALS #3
- 25 ORCH SHELL #3
- 24
- 23
- 22 TRAVELER
- 21 4TH ELECTRIC
- 20 BORDER
- 19 1-1 PORCH ROOF
- 18 PROJECTION SCREEN
- 17 1-1 PORCH ROOF
- 16 3RD ELECTRIC
- 15 ORCH SHELL #2
- 14 1-4 LIVING ROOM CROWN
- 13 TRAVELER
- 12 BORDER
- 11 TREE PORTALS #1
- 10 2ND ELECTRIC
- 9 LEGS
- 8 BORDER
- 7 1-3 FLUORESCENT LIGHTS
- 6 ORCH SHELL #1
- 5 1ST ELECTRIC
- 4 7-4 SHIP HIRAP
- 3 TREE PORTALS #1
- 2 ACT CURTAIN
- 1 GUILLOTINE

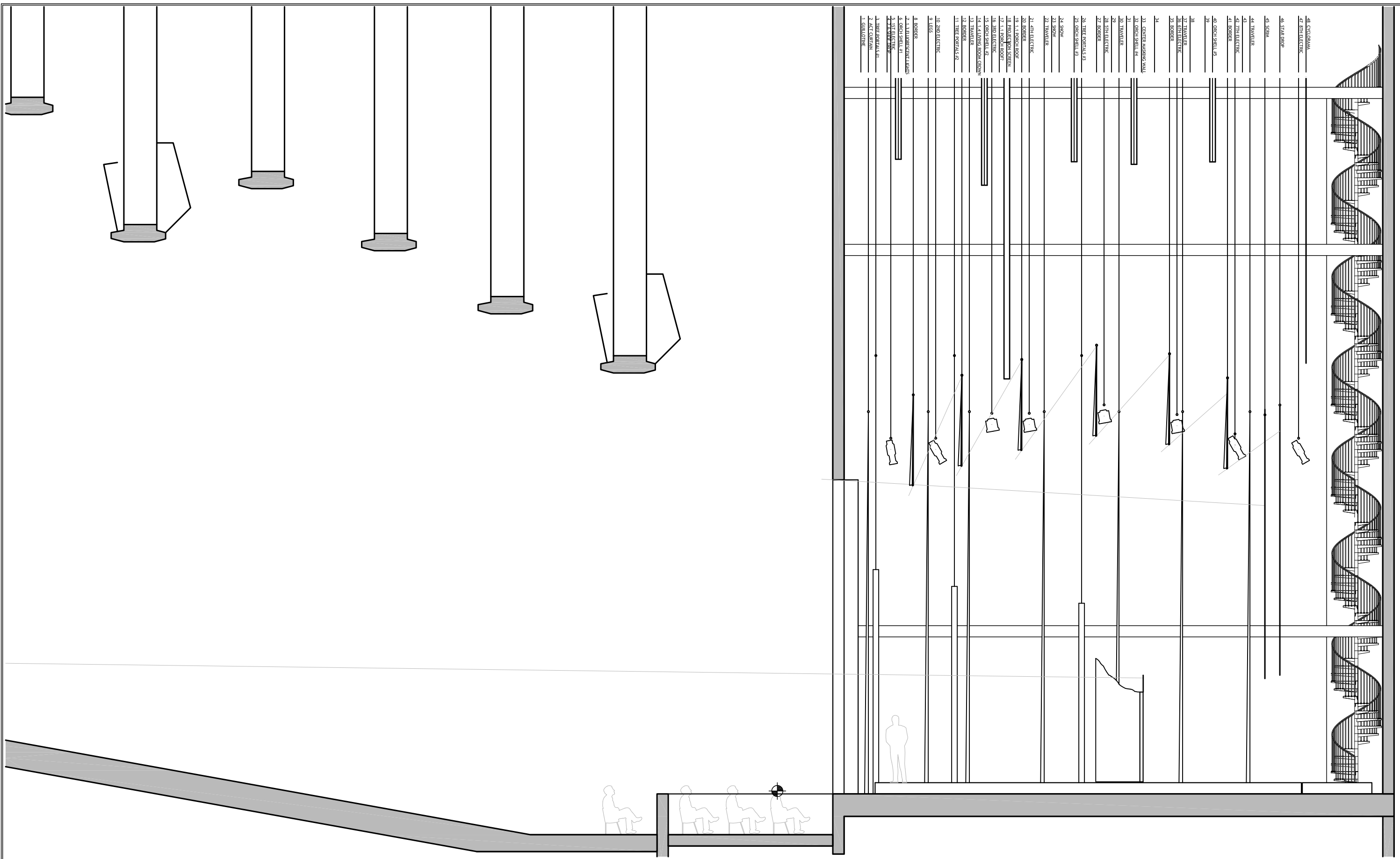


IHSTF 2012 ALL STATE
 ALMOST, MAINE
 BRADEN AUDITORIUM

2.8 SEEING THE THING

DATE: 01.01.12	VERSION: 8
DIRECTOR: BEN STONER	SCALE: 1/8" = 1'-0"
DESIGNER: NICK QUINN	DWG BY: NQ



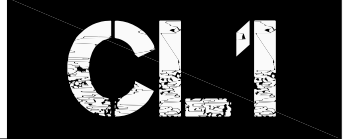


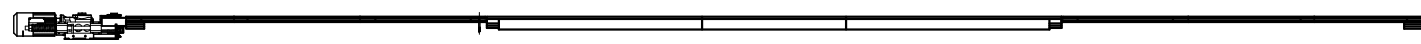
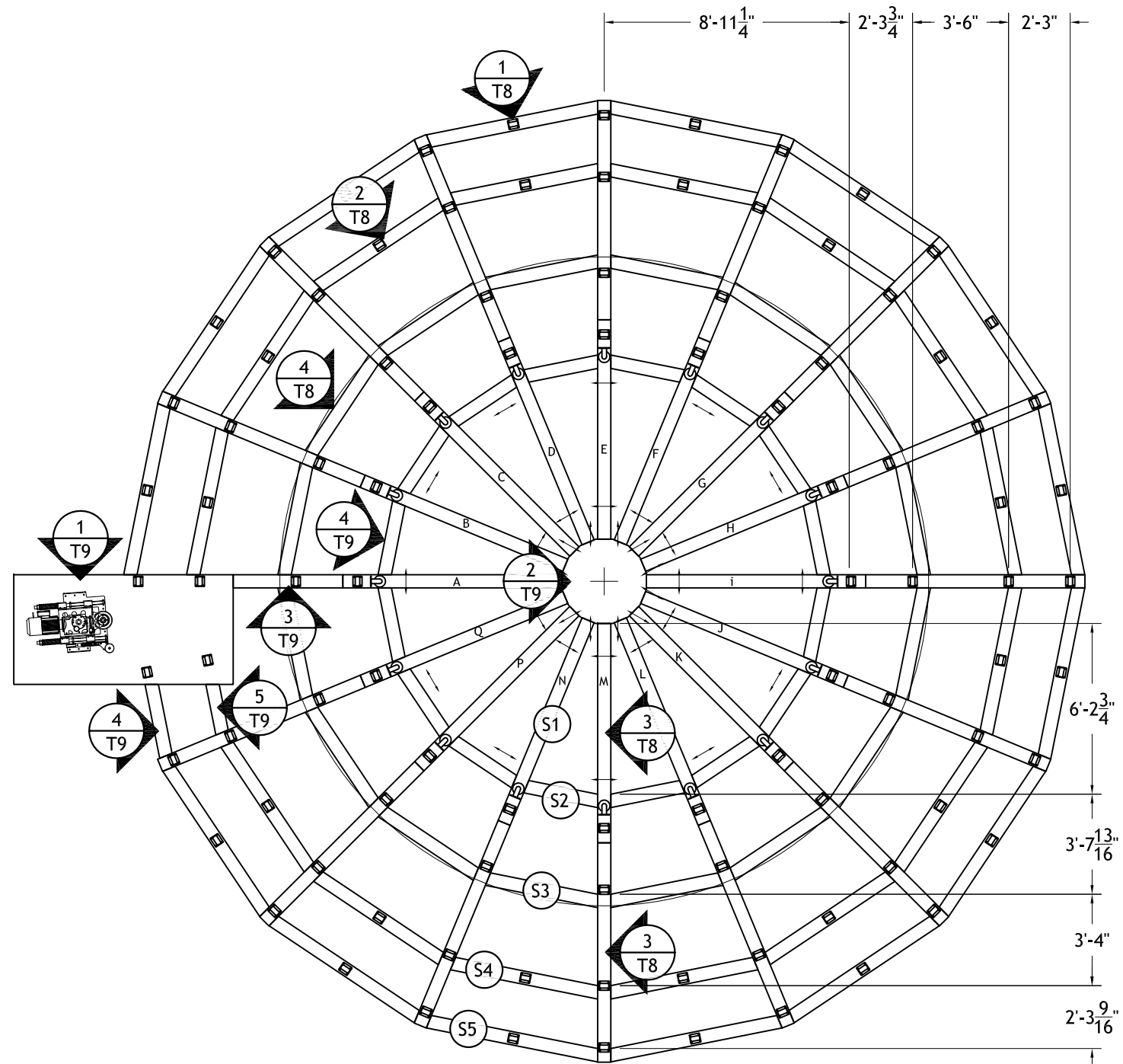
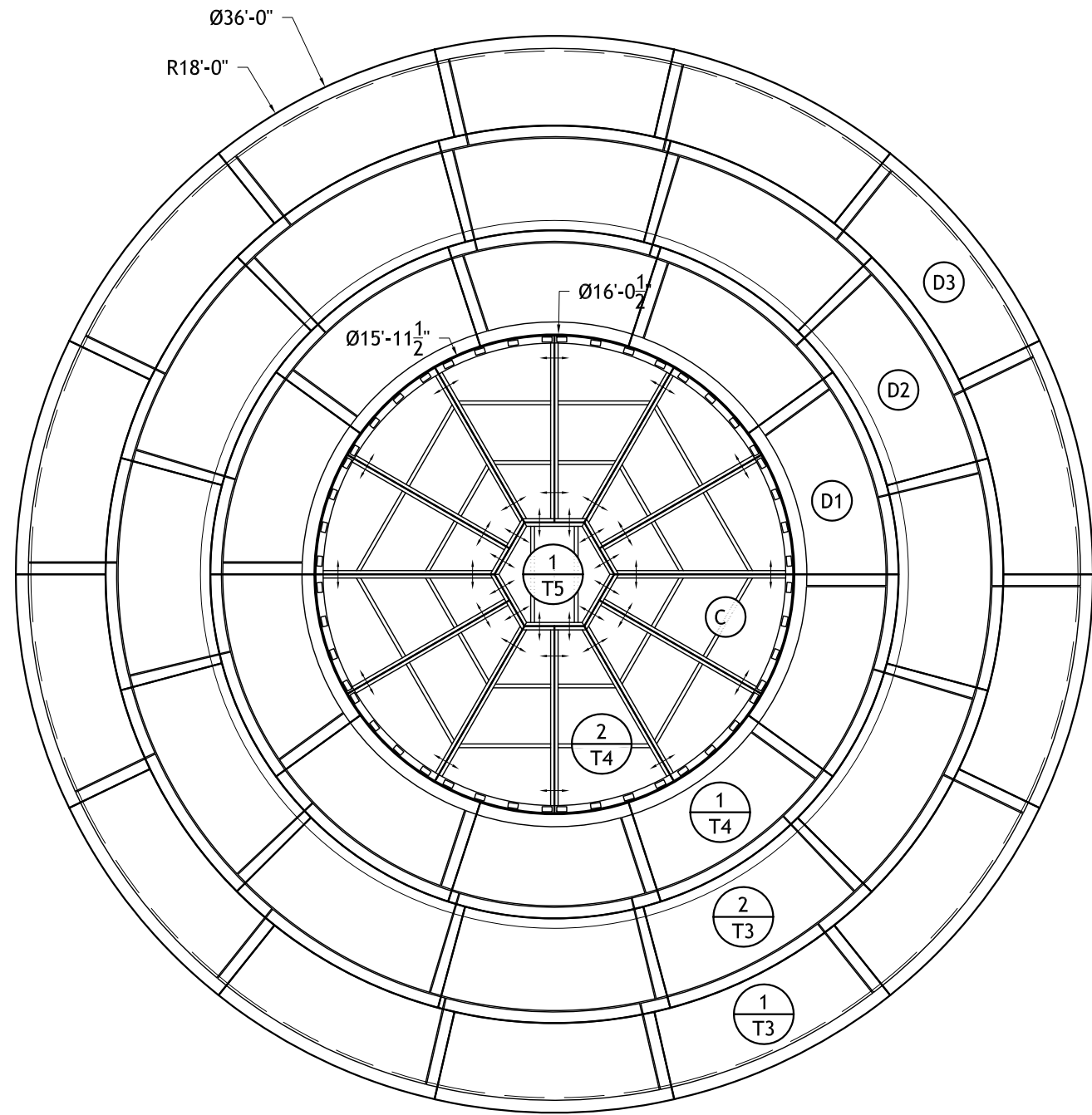
- 48. CYCLOGRAM
- 47. 8TH ELECTRIC
- 46. STAIR DROP
- 45. SCUM
- 44. TRAVELER
- 43. 7TH ELECTRIC
- 42. 7TH ELECTRIC
- 41. ROOPER
- 40. ORCH SHELL #5
- 39.
- 38.
- 37. TRAVELER
- 36. 2ND ELECTRIC
- 35. ROOPER
- 34.
- 33. CENTER WASHING WALL
- 32. ORCH SHELL #4
- 31.
- 30. TRAVELER
- 29. 5TH ELECTRIC
- 28. 5TH ELECTRIC
- 27. ROOPER
- 26. ORCH SHELL #3
- 25. ORCH SHELL #2
- 24. SNOW
- 23. SNOW
- 22. TRAVELER
- 21. 4TH ELECTRIC
- 20. ROOPER
- 19. 1.1. PORCEL ROOF
- 18. PROTECT FROM SCUM
- 17. 1.1. PORCEL ROOF
- 16. 3RD ELECTRIC
- 15. ORCH SHELL #2
- 14. 1.4. LIVING ROOM CROWN
- 13. TRAVELER
- 12. ROOPER
- 11. TREE DOMAINS #2
- 10. 2ND ELECTRIC
- 9. LEGS
- 8. ROOPER
- 7.1. 1.1.1.1. ROBERT LINDS
- 6. ORCH SHELL #1
- 5. 5TH ELECTRIC
- 4. 5TH ELECTRIC
- 3. 4TH ELECTRIC
- 2. 4TH ELECTRIC
- 1. 4TH ELECTRIC

IHSTF 2012 ALL STATE
 ALMOST, MAINE
 BRADEN AUDITORIUM

CENTERLINE SECTION

DATE: 01.01.12 VERSION: 8
 DIRECTOR: BEN STONER SCALE: 1/8" = 1'-0"
 DESIGNER: NICK QUINN DWG BY: NQ





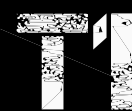
1 TURNTABLE DECK
 T2 SCALE: 3/16" = 1'-0" BUILD 1

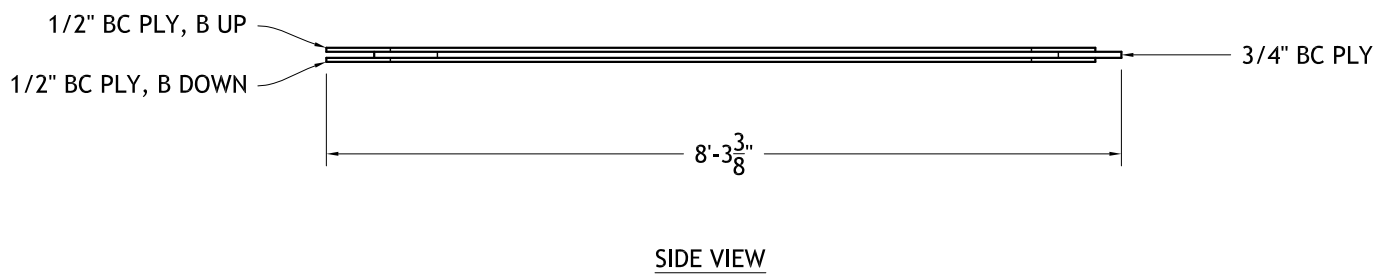
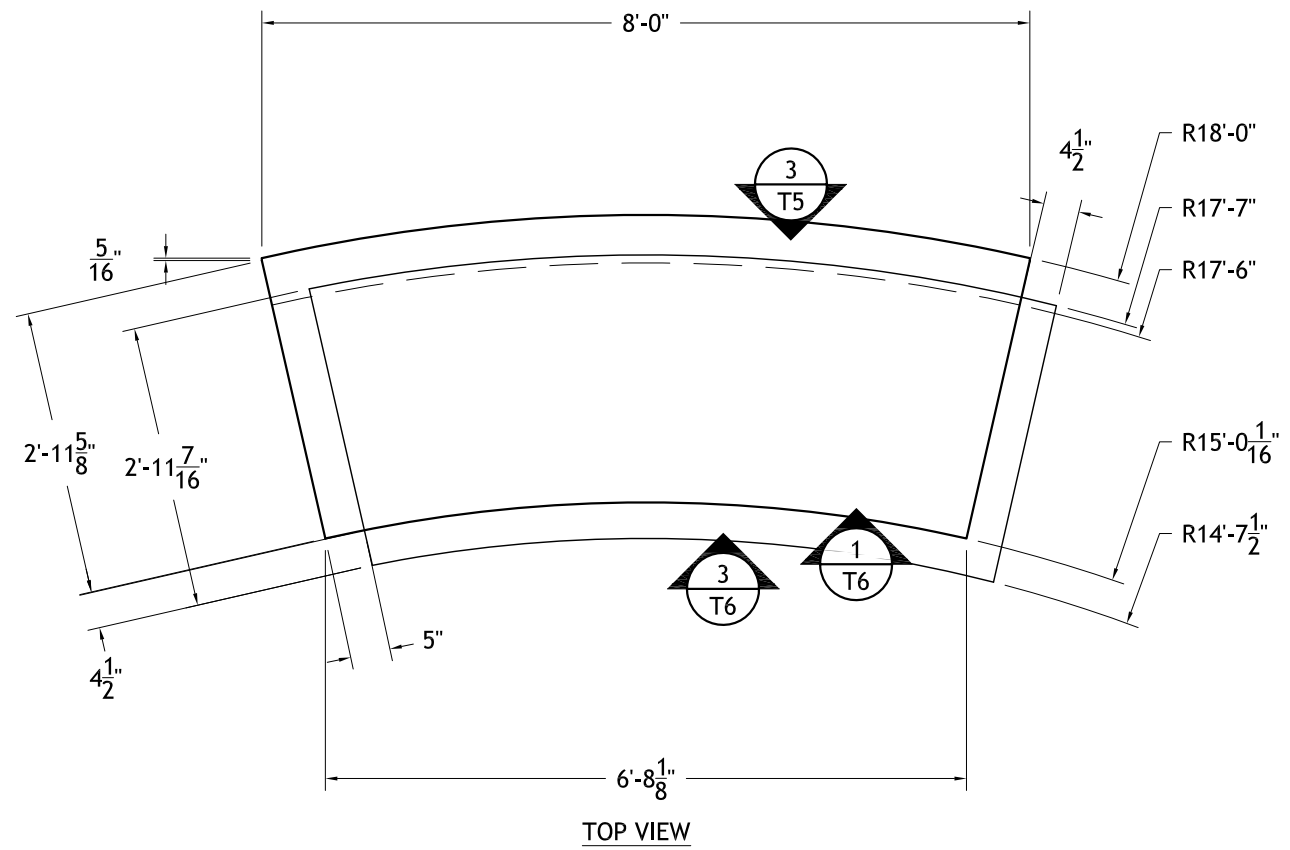
2 TURNTABLE SPIDER
 T2 SCALE: 3/16" = 1'-0" BUILD 1

IHSTF 2012 ALL STATE
 ALMOST, MAINE
 BRADEN AUDITORIUM

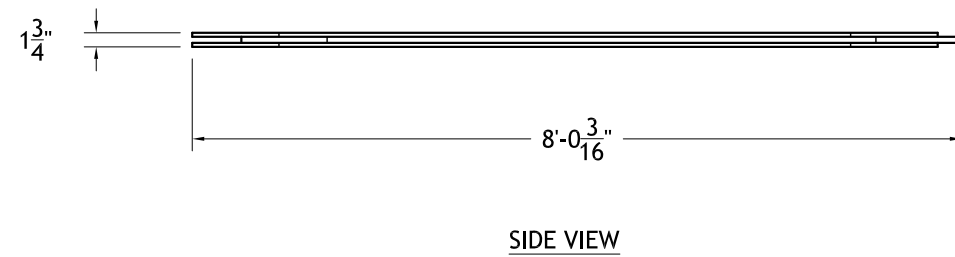
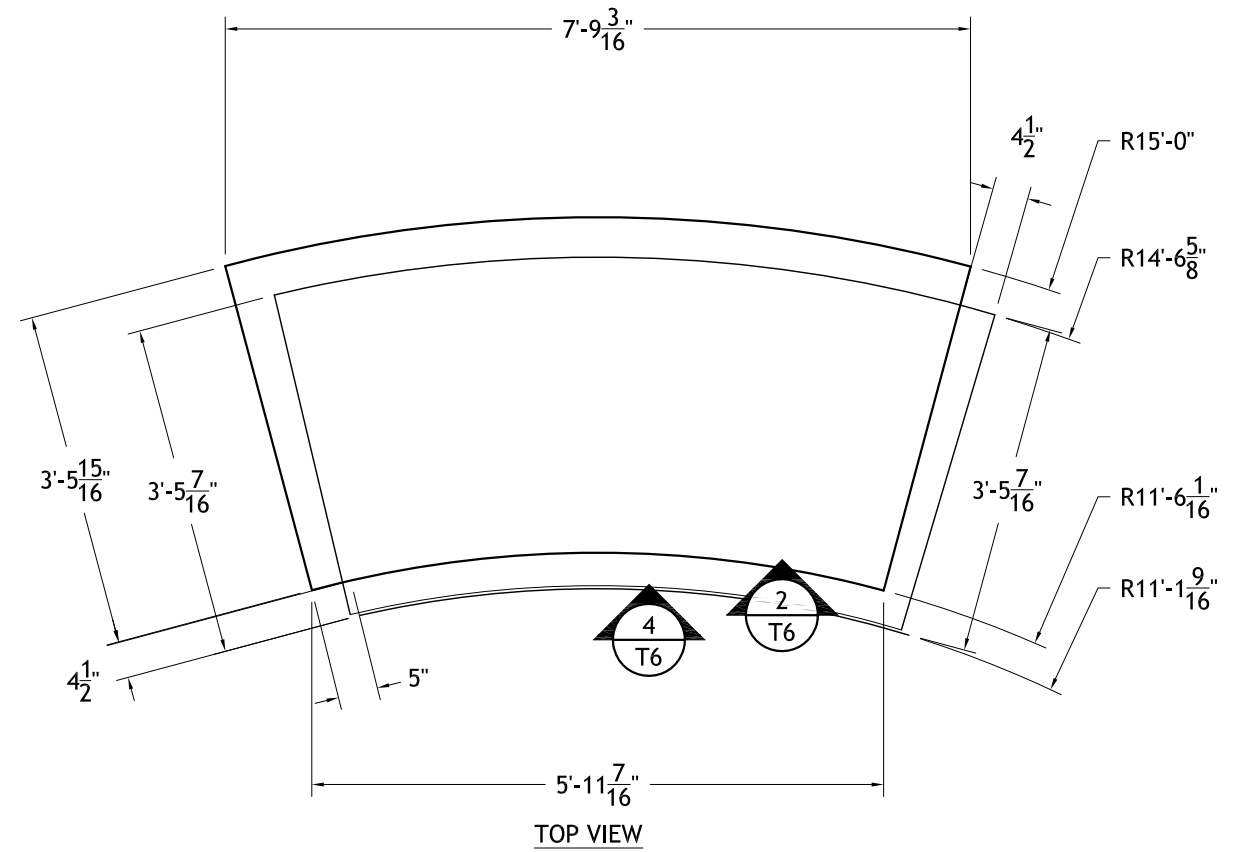
TURNTABLE COMPOSITE

DATE: 01.01.12 VERSION: 8
 DIRECTOR: BEN STONER SCALE: 3/16" = 1'-0"
 DESIGNER: NICK QUINN DWG BY: NQ

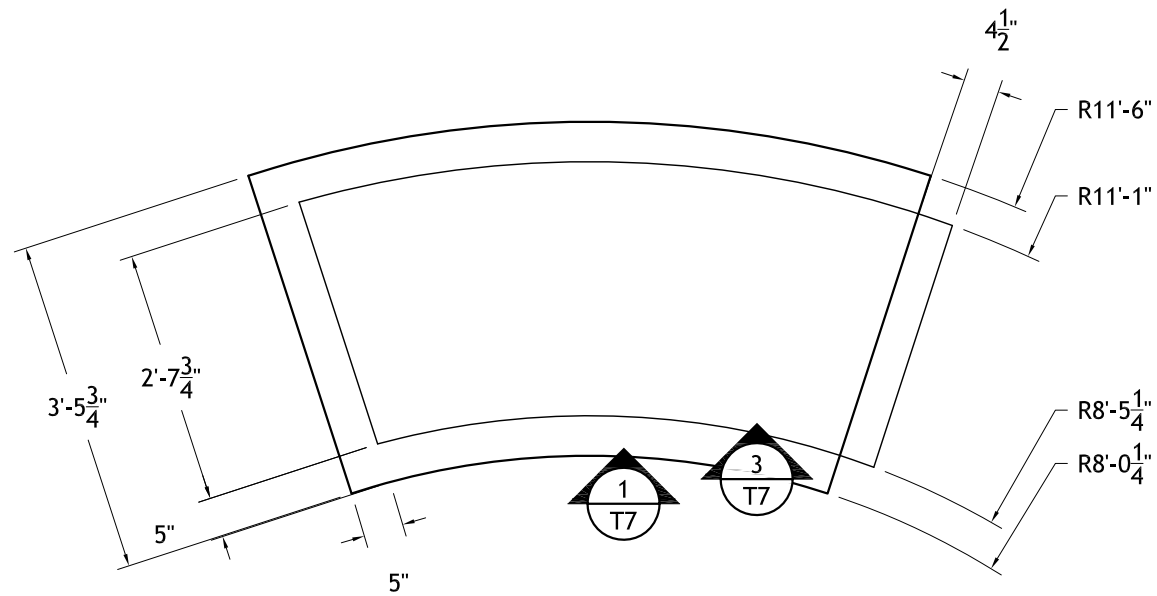




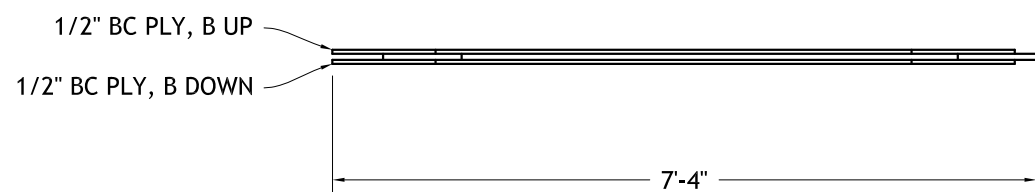
1 TURNTABLE DECK D3
 T3 SCALE: 1/2" = 1'-0" BUILD 14



2 TURNTABLE DECK D2
 T3 SCALE: 1/2" = 1'-0" BUILD 12

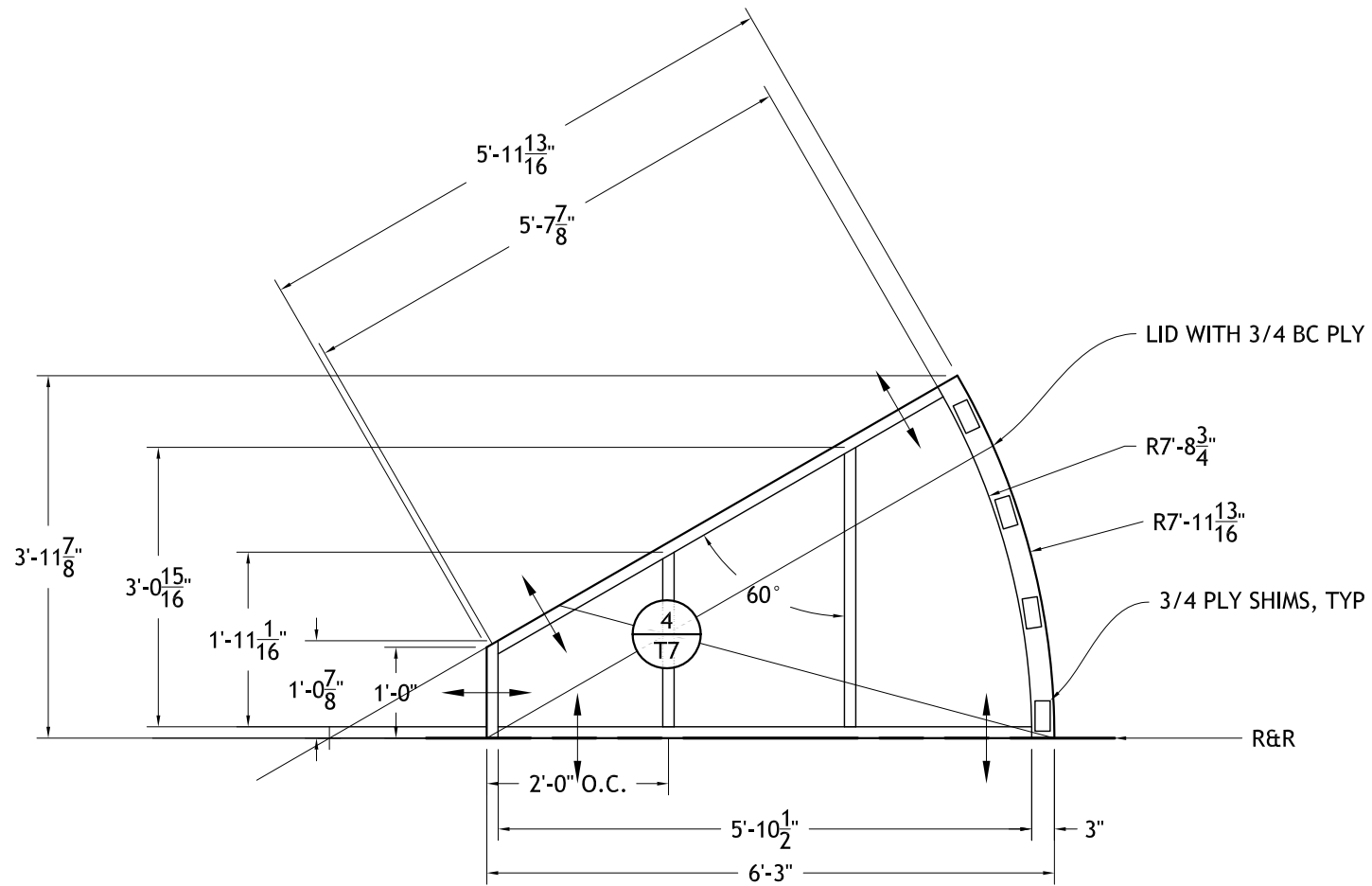


TOP VIEW

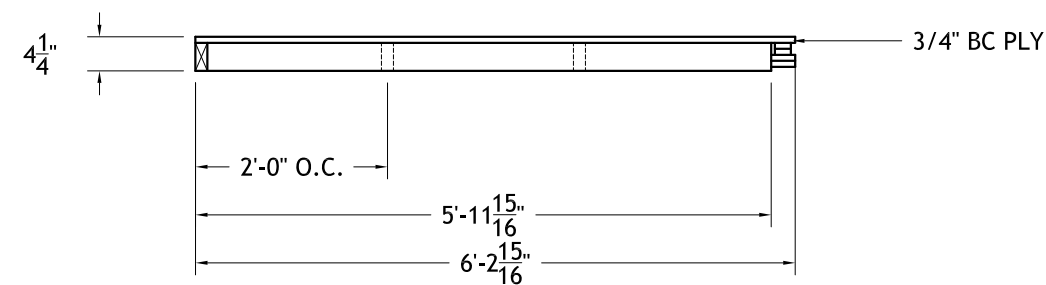


SIDE VIEW

1 TURNTABLE DECK D1
 T4 SCALE: 1/2" = 1'-0" BUILD 10

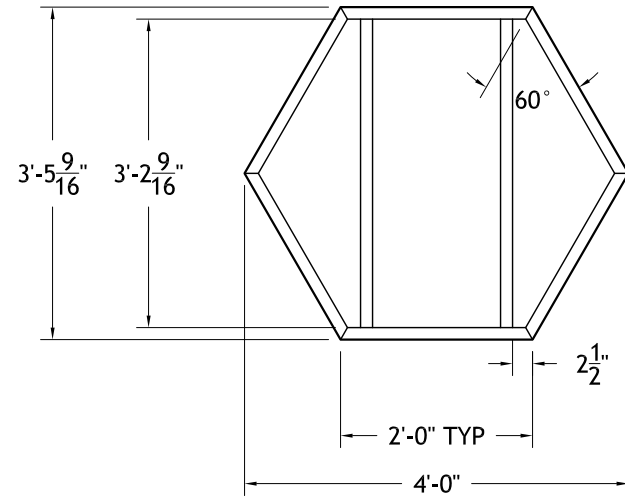


TOP VIEW

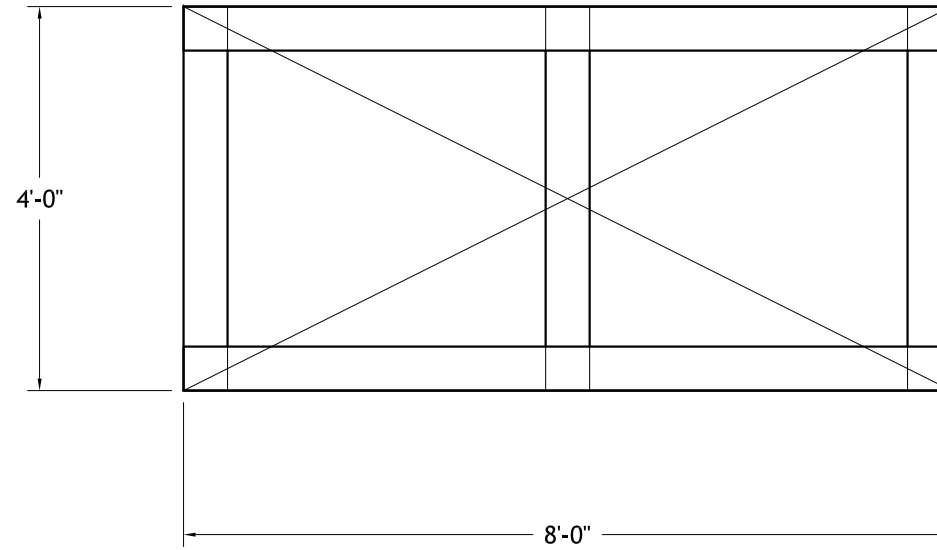


SIDE VIEW

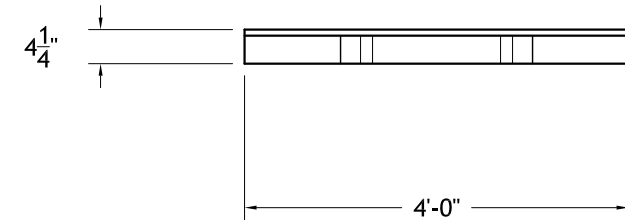
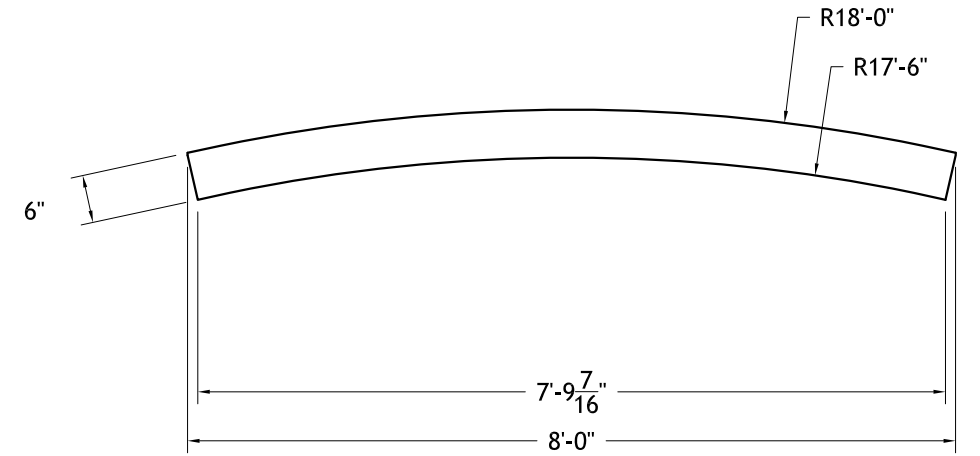
2 CENTER TURNTABLE DECK
 T4 SCALE: 1/2" = 1'-0" BUILD 6 R&R



TOP VIEW



TOP VIEW



SIDE VIEW

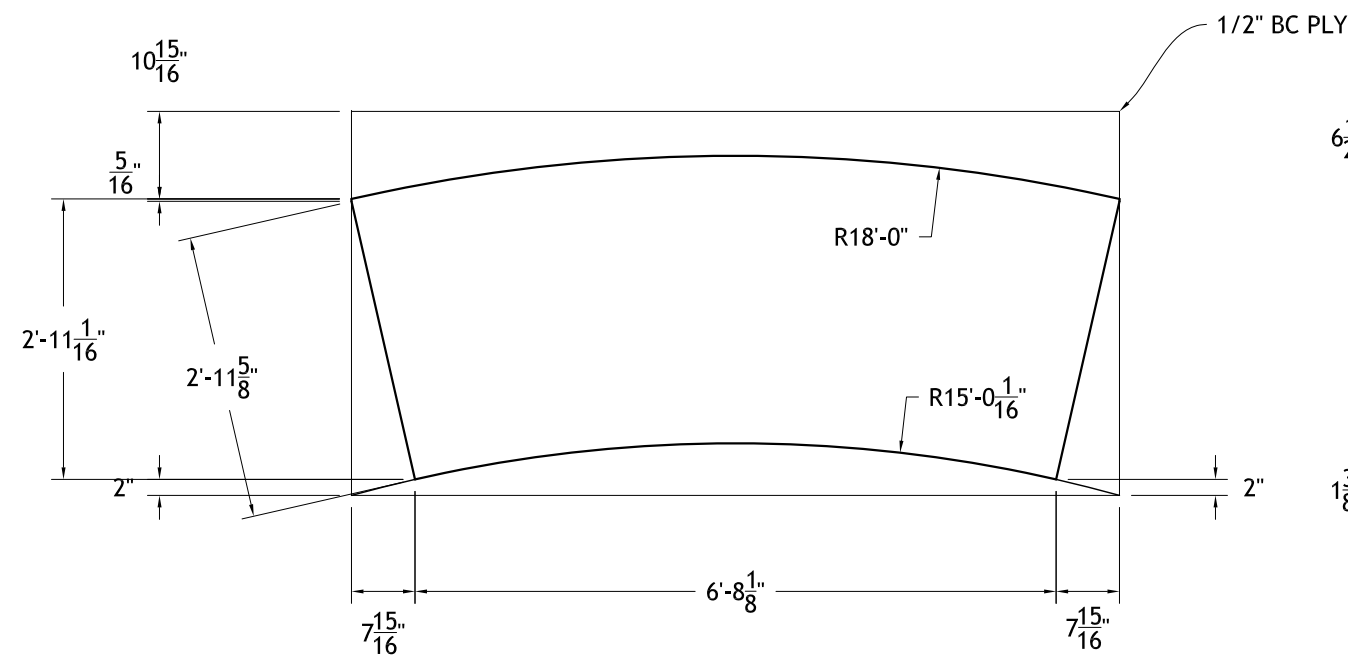


SIDE VIEW

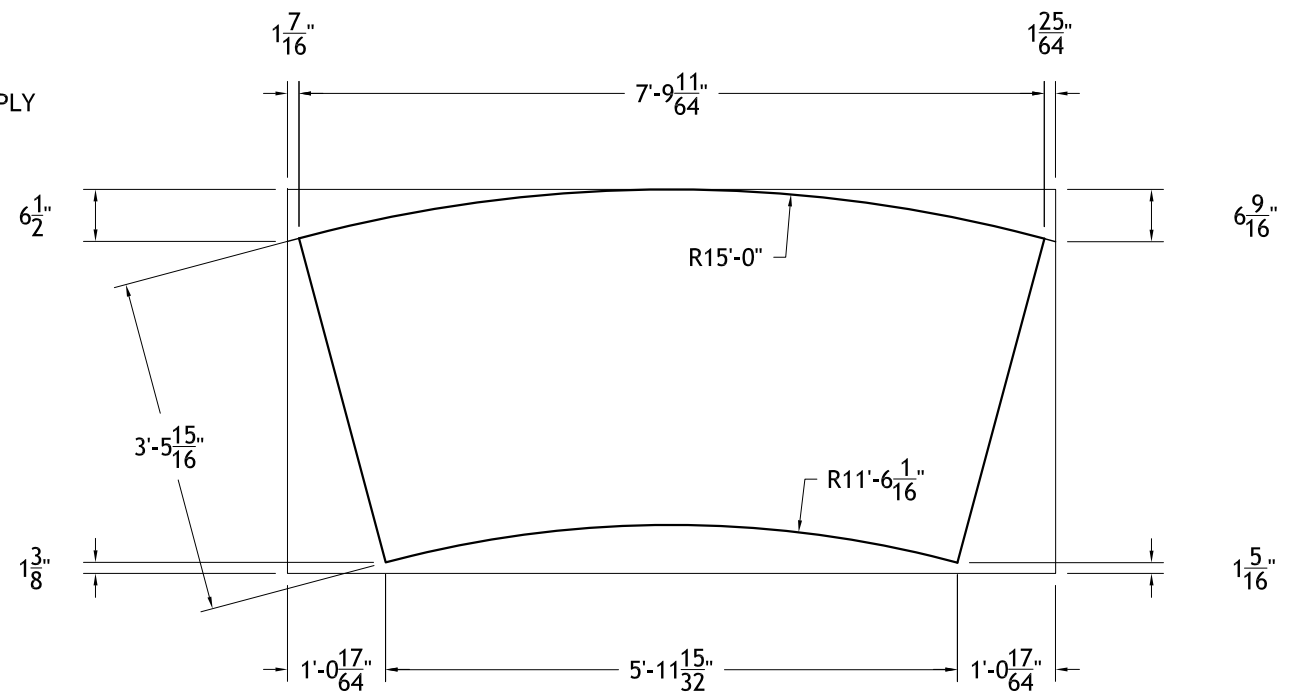
1 CENTER TURNABLE PIVOT
T5 SCALE: 1/2" = 1'-0" BUILD 1

2 TURNTABLE CART
T5 SCALE: 1/2" = 1'-0" BUILD 3

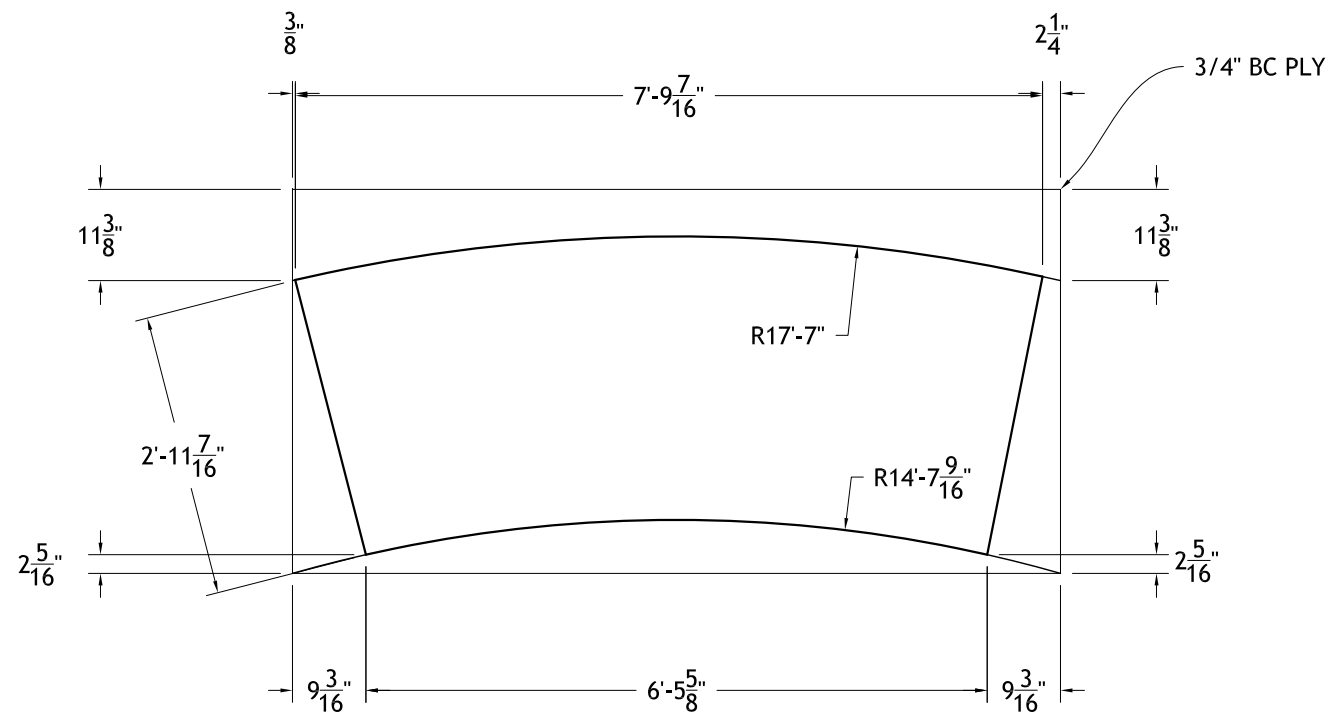
3 D3 PERIMETER ARC
T5 SCALE: 1/2" = 1'-0" BUILD 42



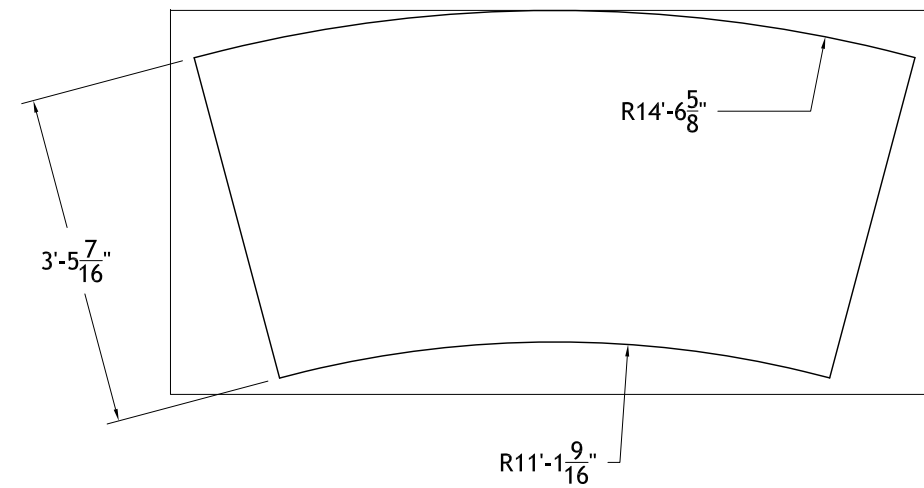
1 D3 TOP & BOTTOM
 T6 SCALE: 1/2" = 1'-0" BUILD 28



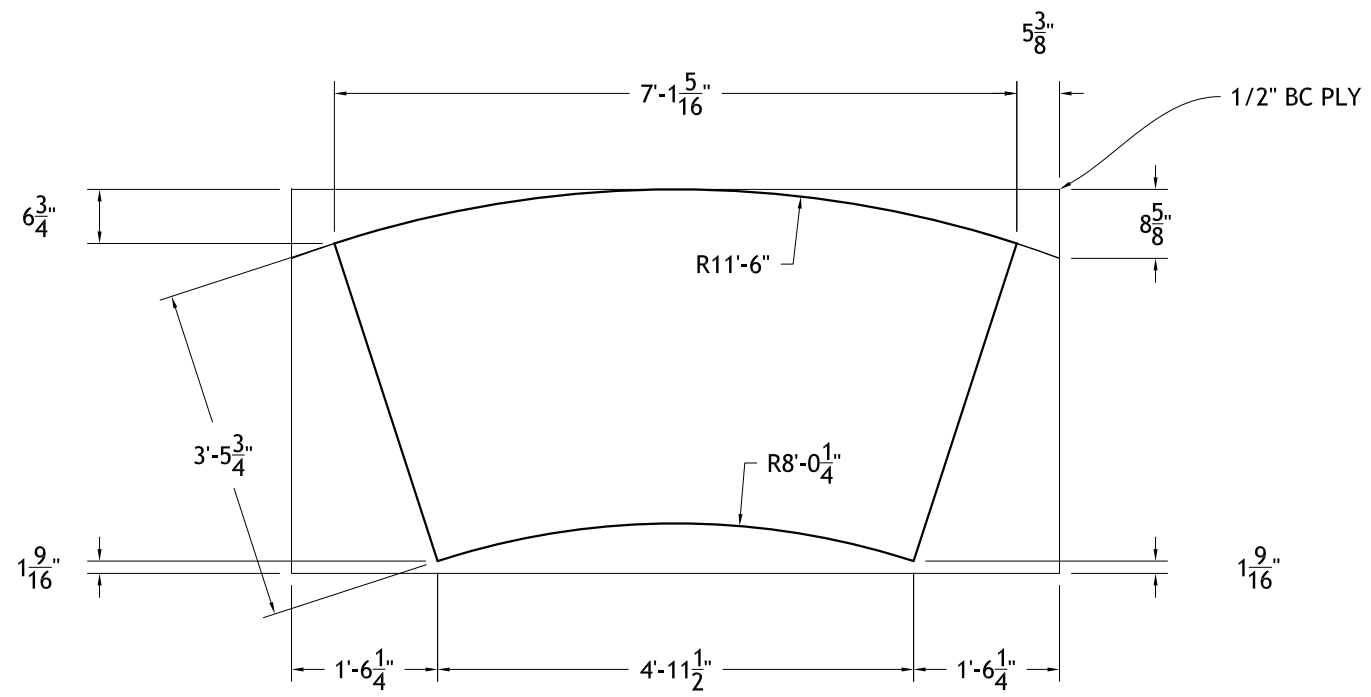
2 D2 TOP & BOTTOM
 T6 SCALE: 1/2" = 1'-0" BUILD 24



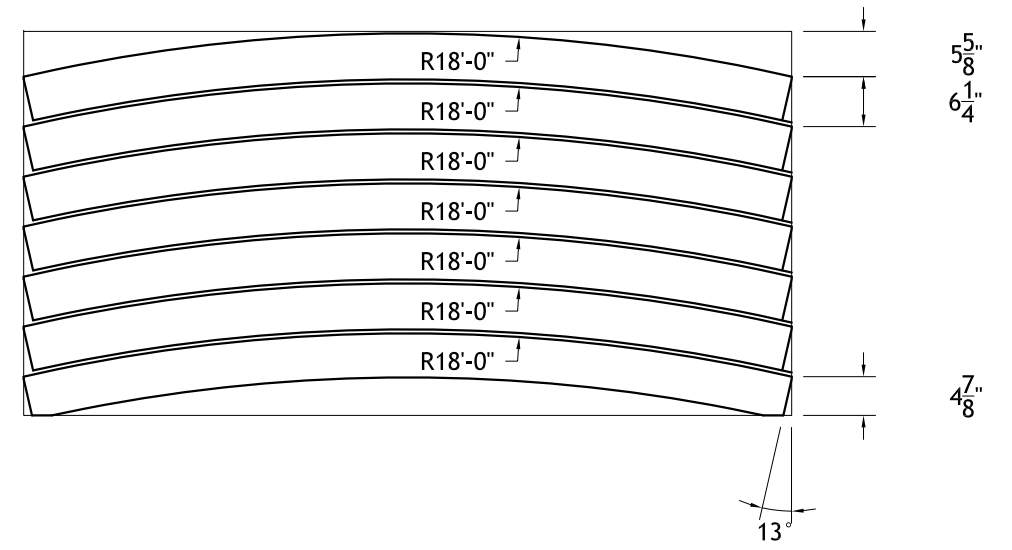
3 D3 MIDDLE
 T6 SCALE: 1/2" = 1'-0" BUILD 14



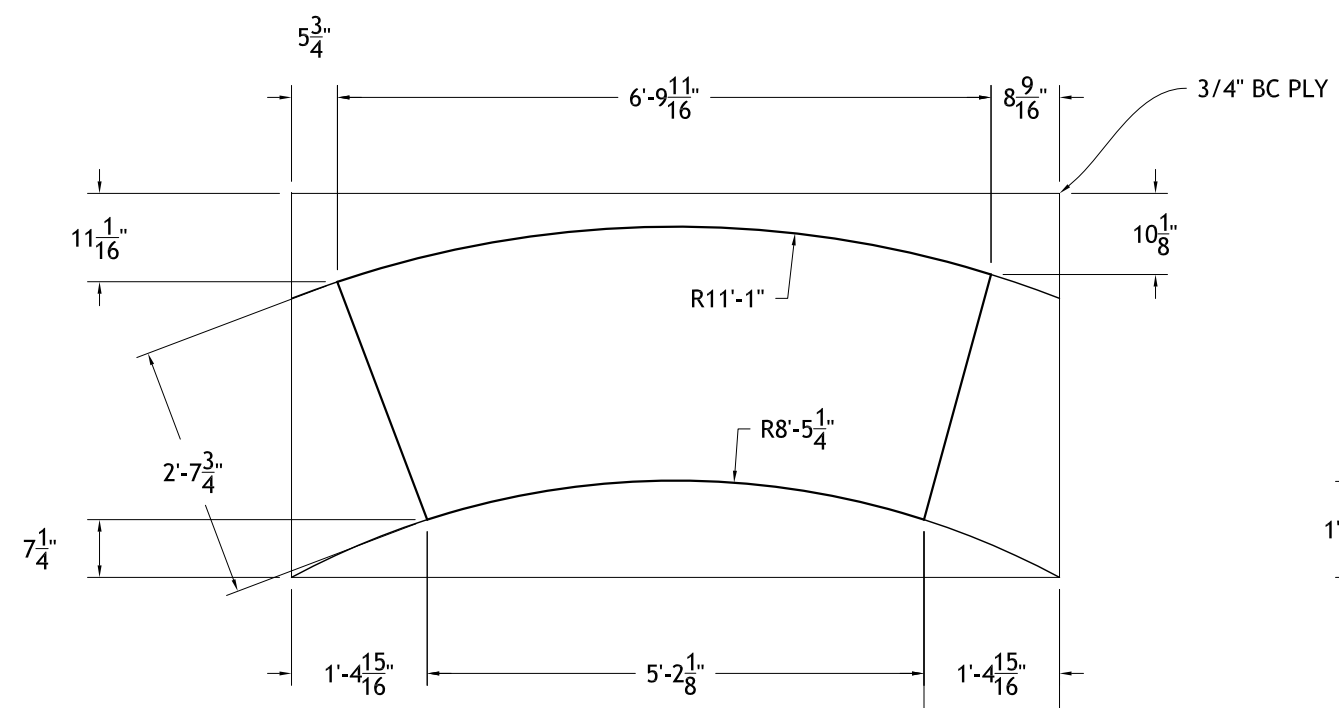
4 D2 MIDDLE
 T6 SCALE: 1/2" = 1'-0" BUILD 12



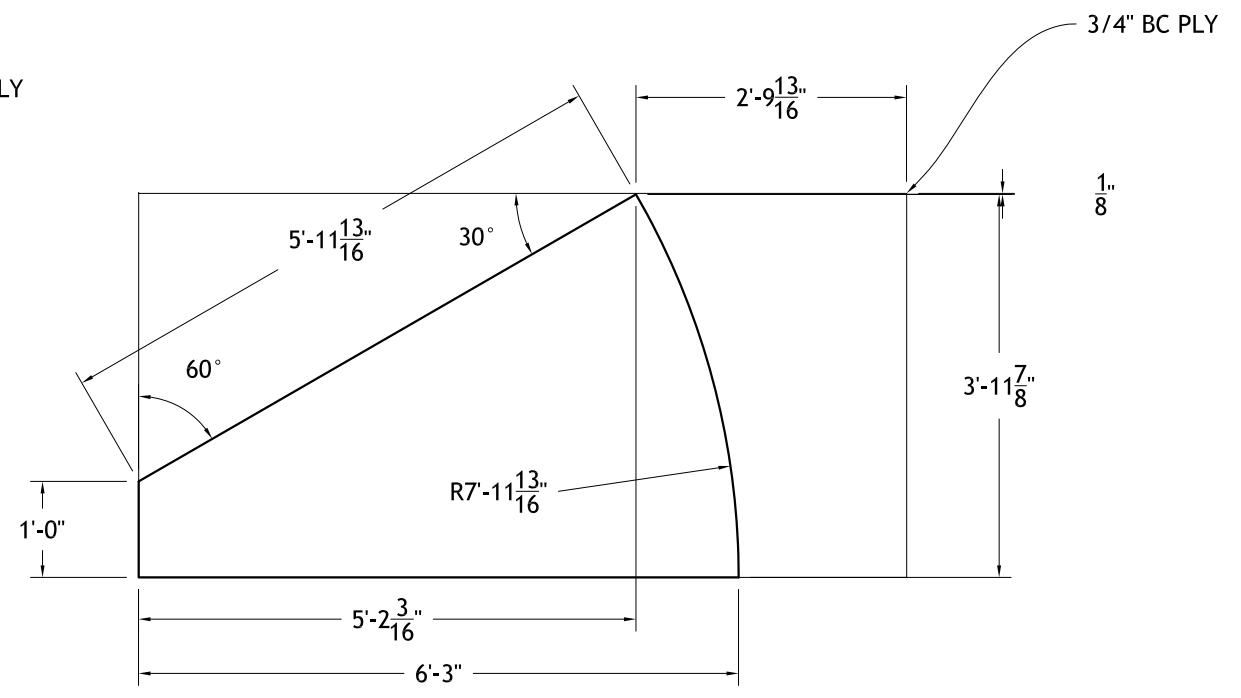
1 D1 TOP & BOTTOM
 T7 SCALE: 1/2" = 1'-0" BUILD 20



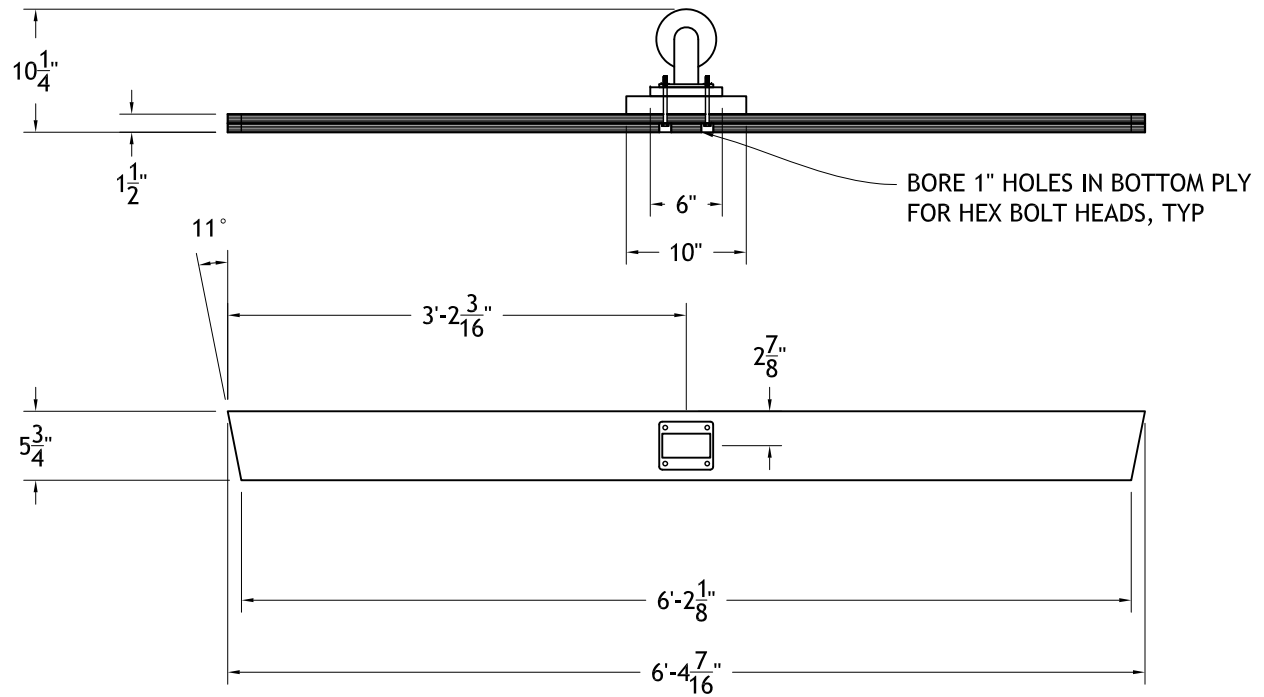
2 TURNABLE CART
 T7 SCALE: 1/2" = 1'-0" BUILD 6



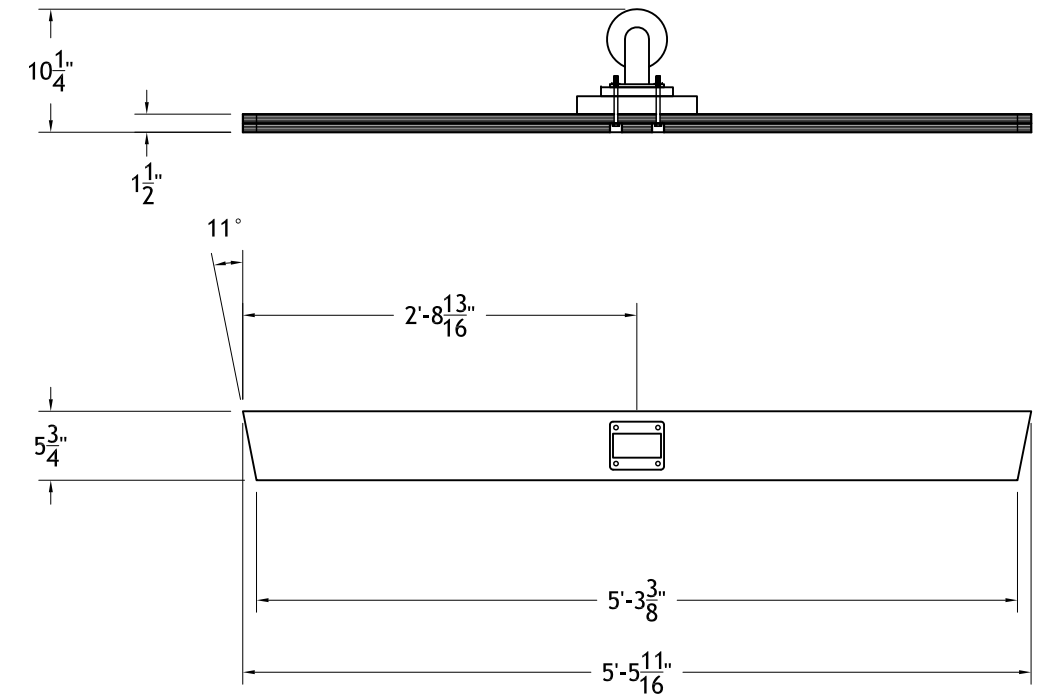
3 D1 MIDDLE
 T7 SCALE: 1/2" = 1'-0" BUILD 10



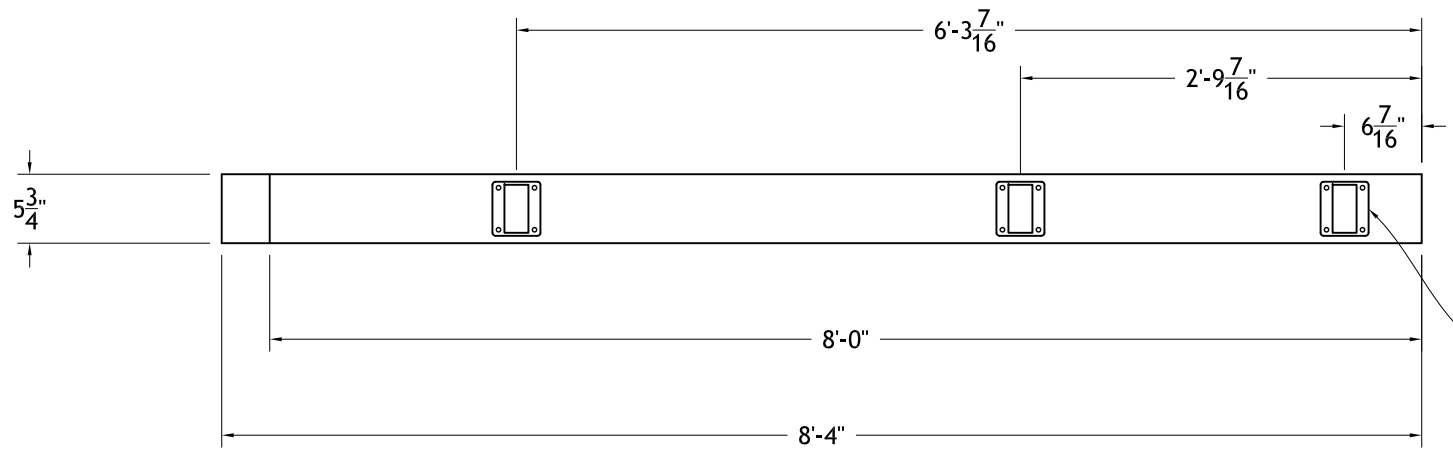
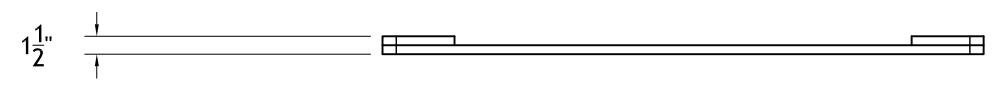
4 CENTER TOP
 T7 SCALE: 1/2" = 1'-0" BUILD 6 R&R



1 S5 SPIDER
 T8 SCALE: 3/4" = 1'-0" BUILD 15

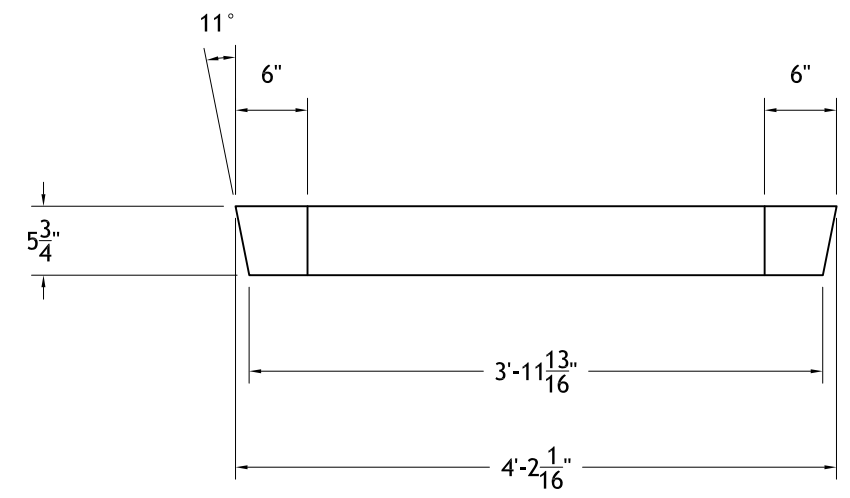


2 S4 SPIDER
 T8 SCALE: 3/4" = 1'-0" BUILD 15

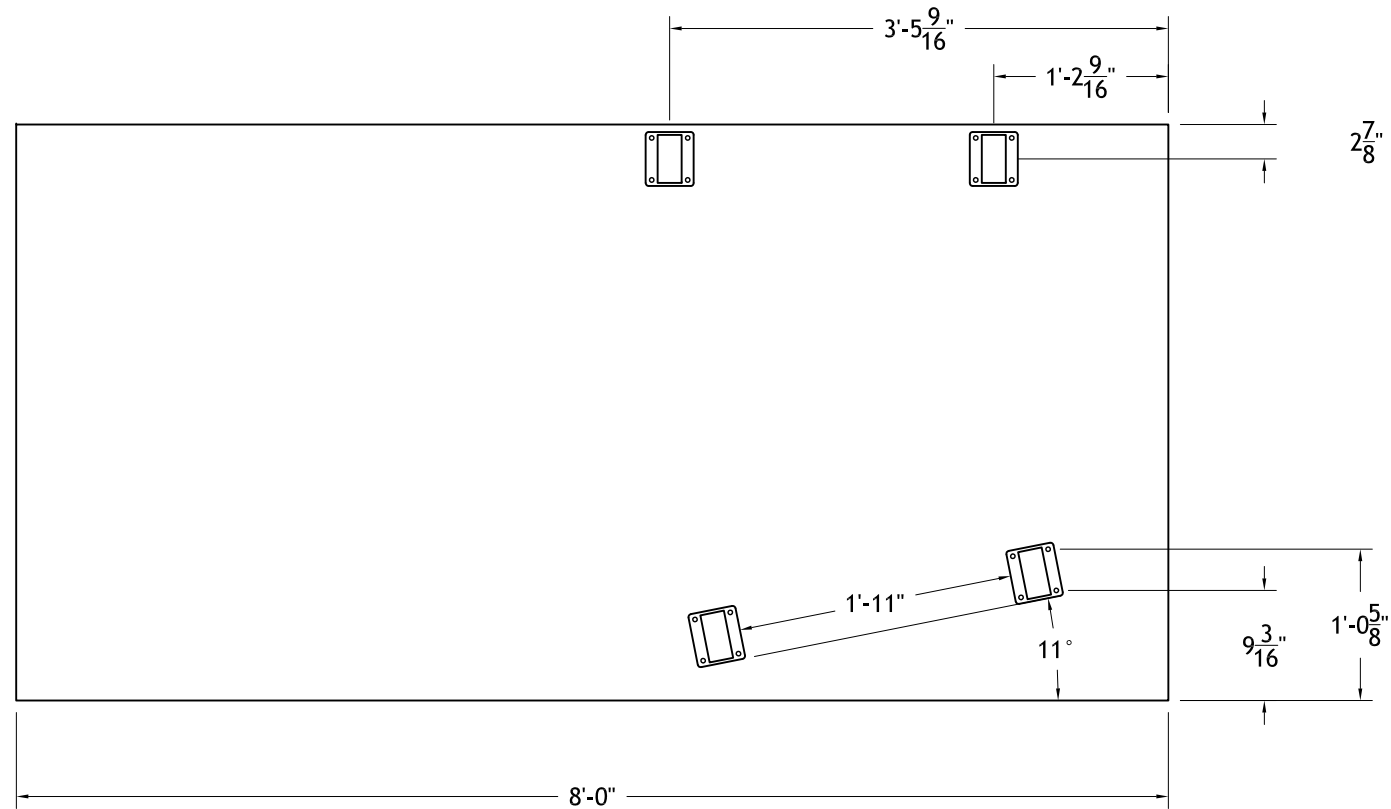


3 S1 SPIDER
 T8 SCALE: 3/4" = 1'-0" BUILD 31

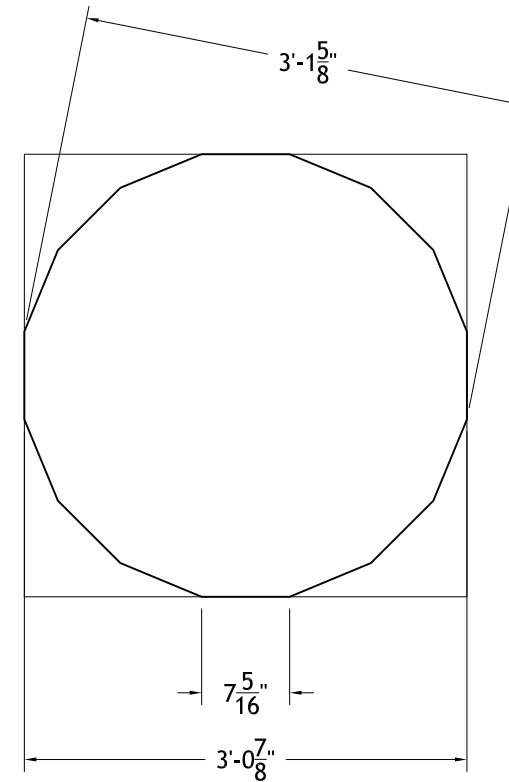
BUILD 16 WITH ONLY THIS CASTER, 15 WITH ALL CASTERS



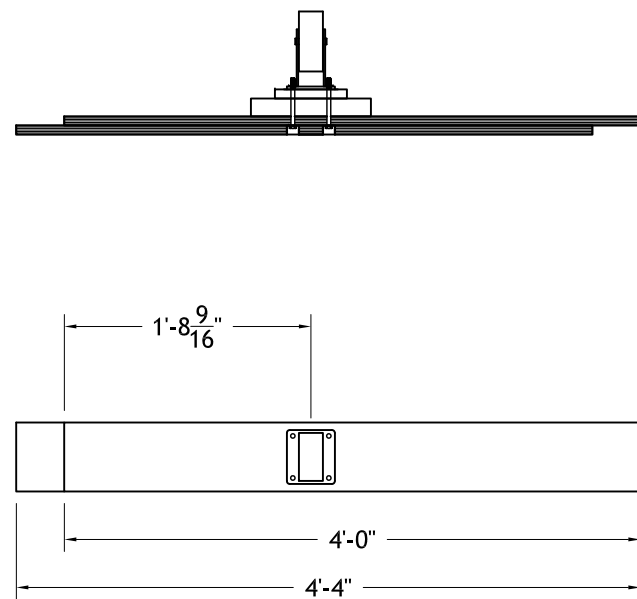
4 S3 SPIDER
 T8 SCALE: 3/4" = 1'-0" BUILD 16



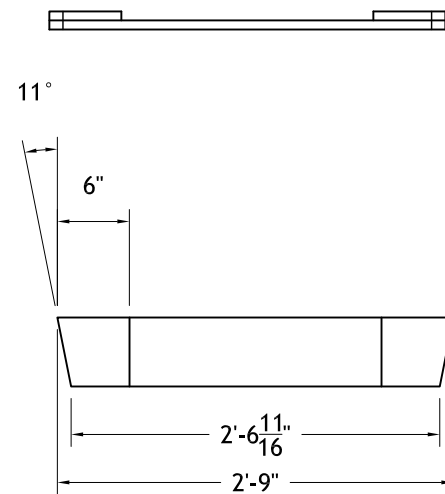
1 MOTOR SPIDER MOUNT
 T9 SCALE: 1/2" = 1'-0" BUILD 1



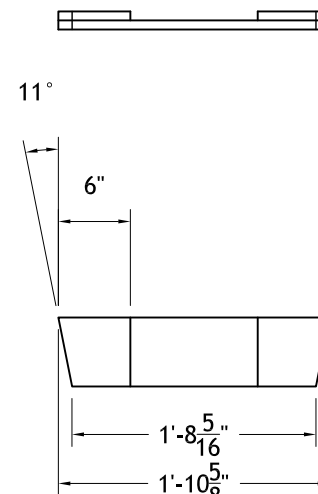
2 SPIDER CENTER
 T9 SCALE: 1/2" = 1'-0" BUILD 1



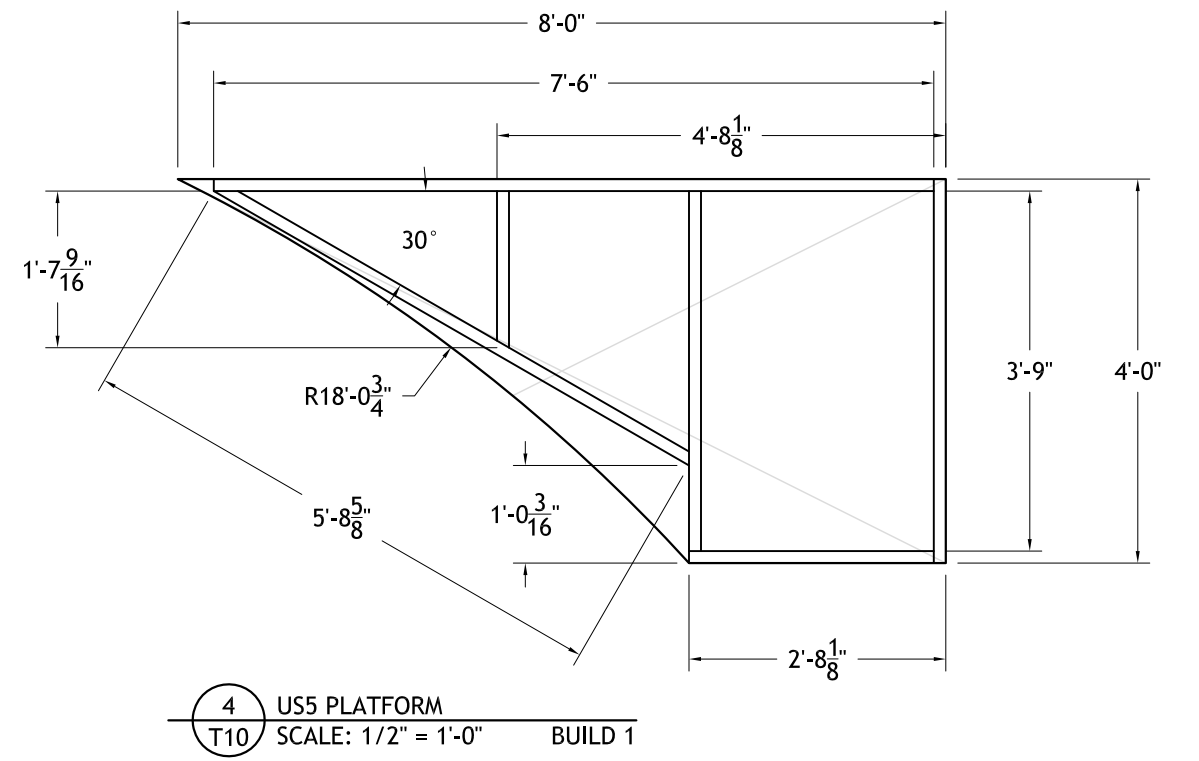
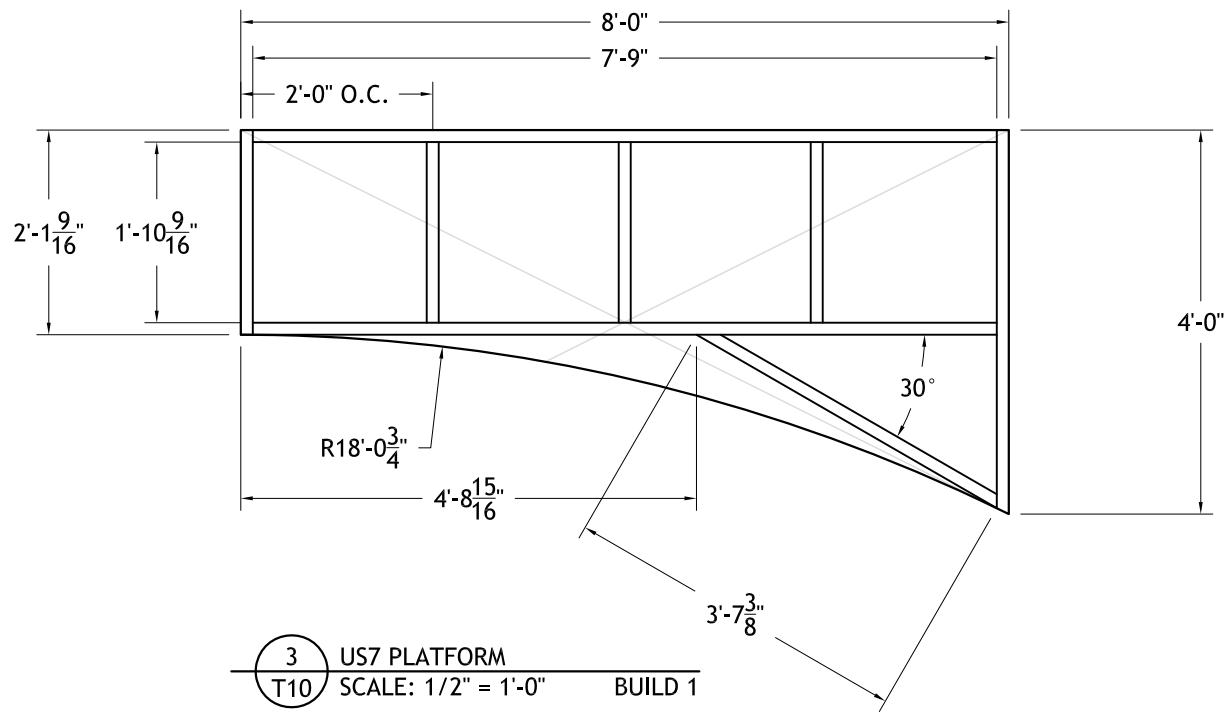
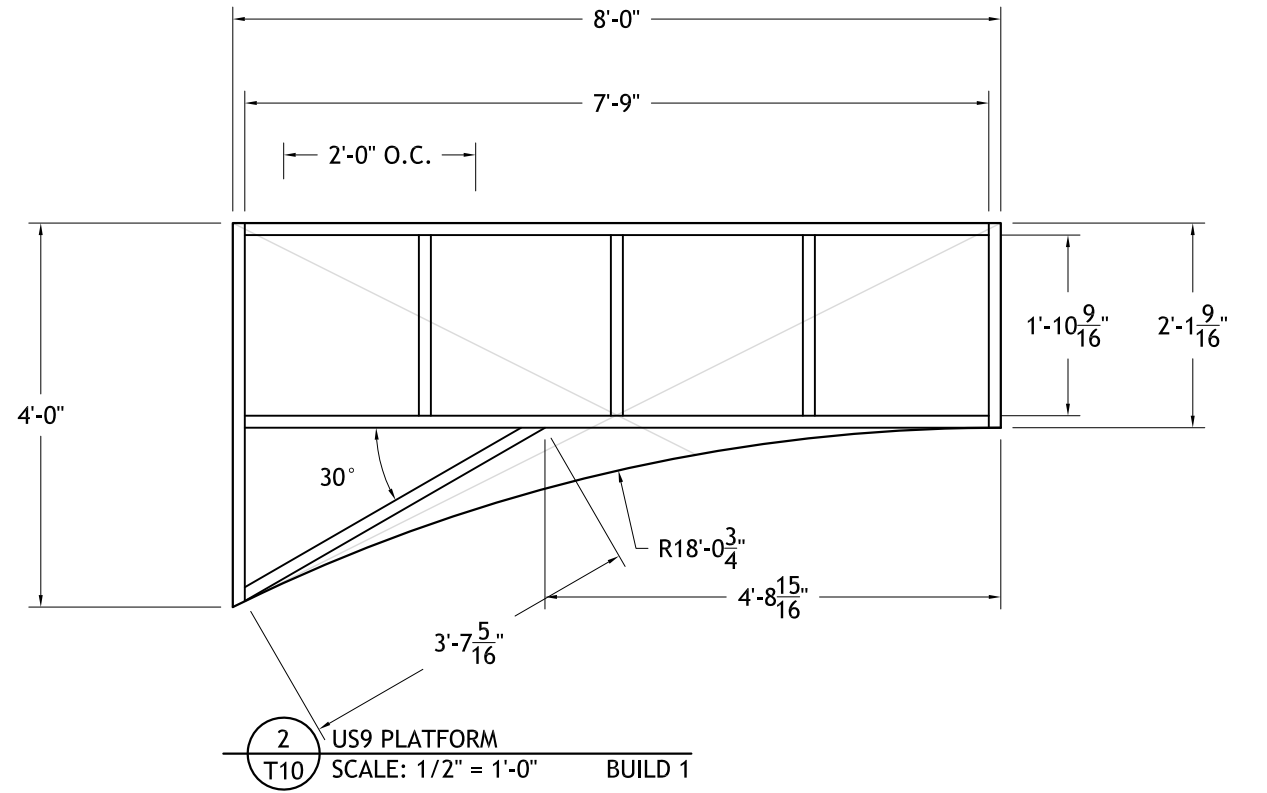
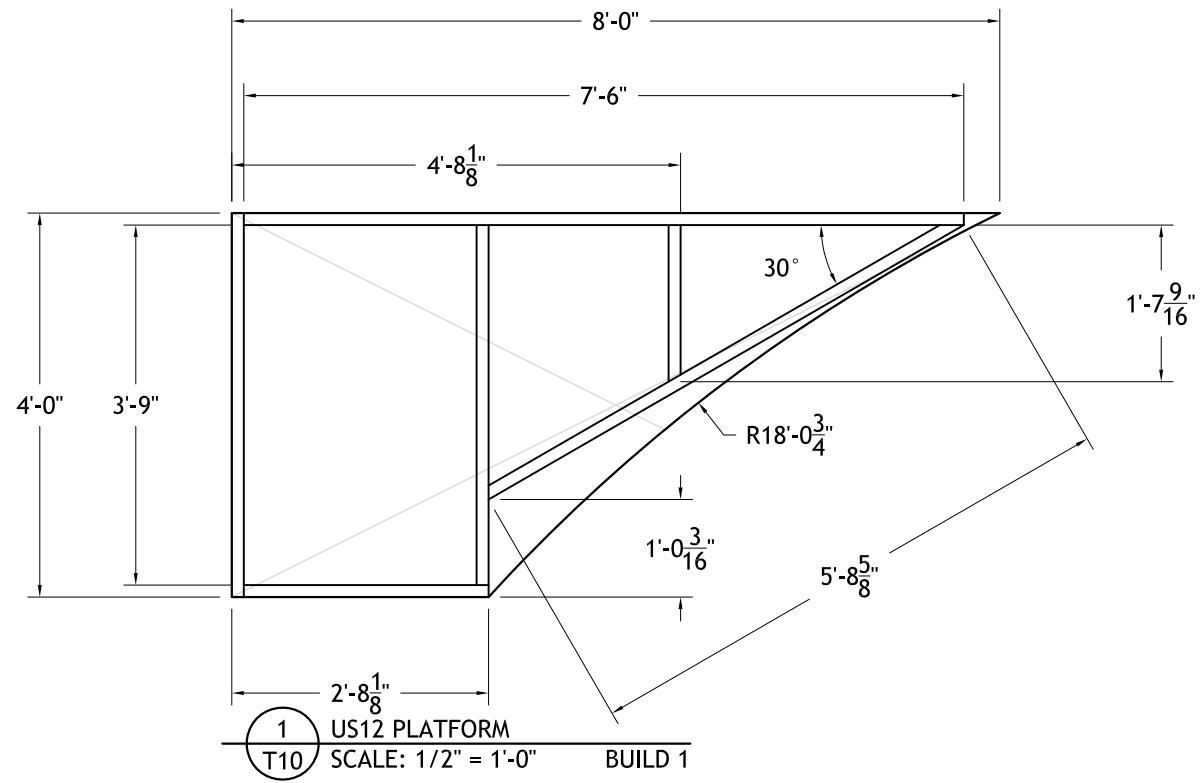
3 CENTER TOP
 T9 SCALE: 1/2" = 1'-0" BUILD 1

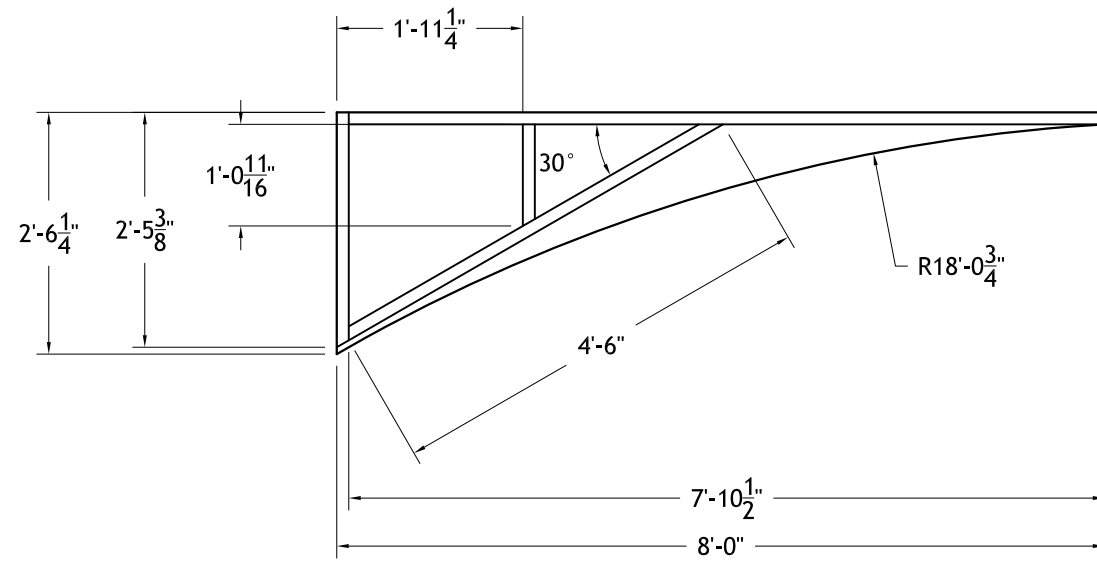


4 S2 & S5 MOTOR
 T9 SCALE: 1/2" = 1'-0" BUILD 17

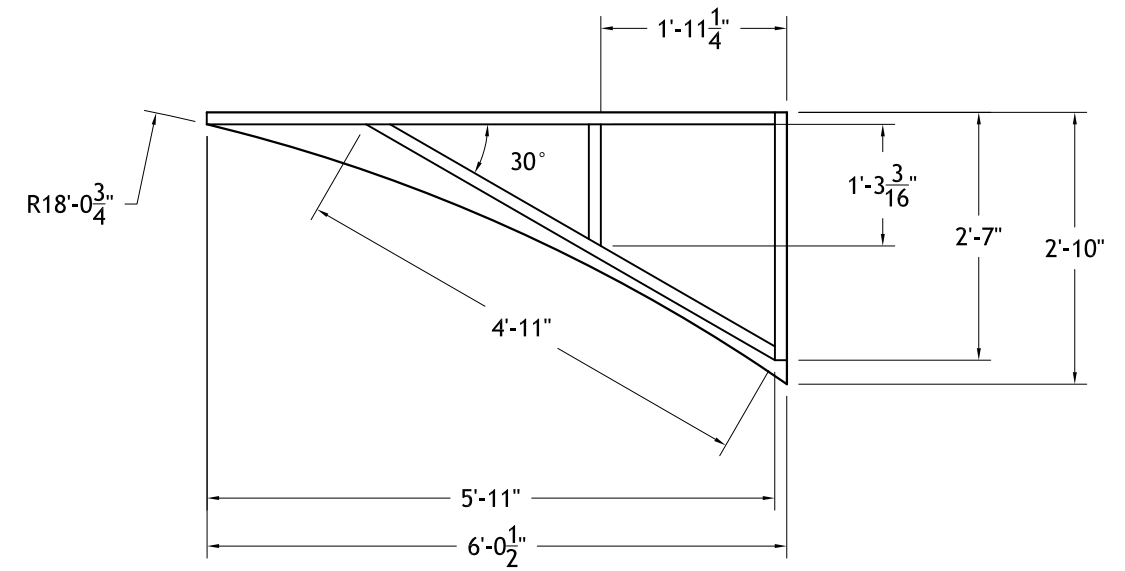


5 S4 MOTOR
 T9 SCALE: 1/2" = 1'-0" BUILD 1

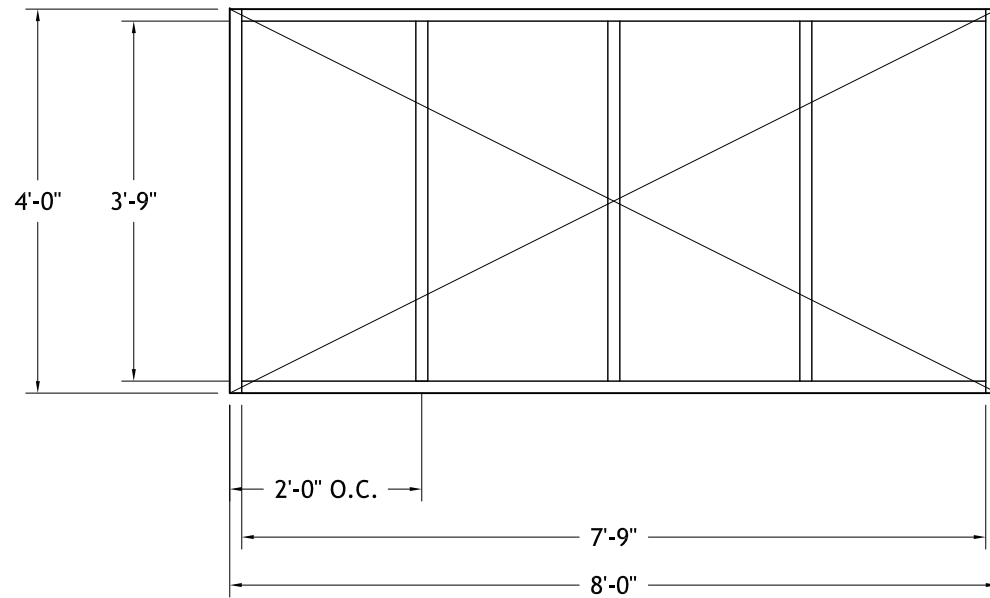




1 SR1 PLATFORM
 T11 SCALE: 1/2" = 1'-0" BUILD 1



2 SL11 PLATFORM
 T11 SCALE: 1/2" = 1'-0" BUILD 1

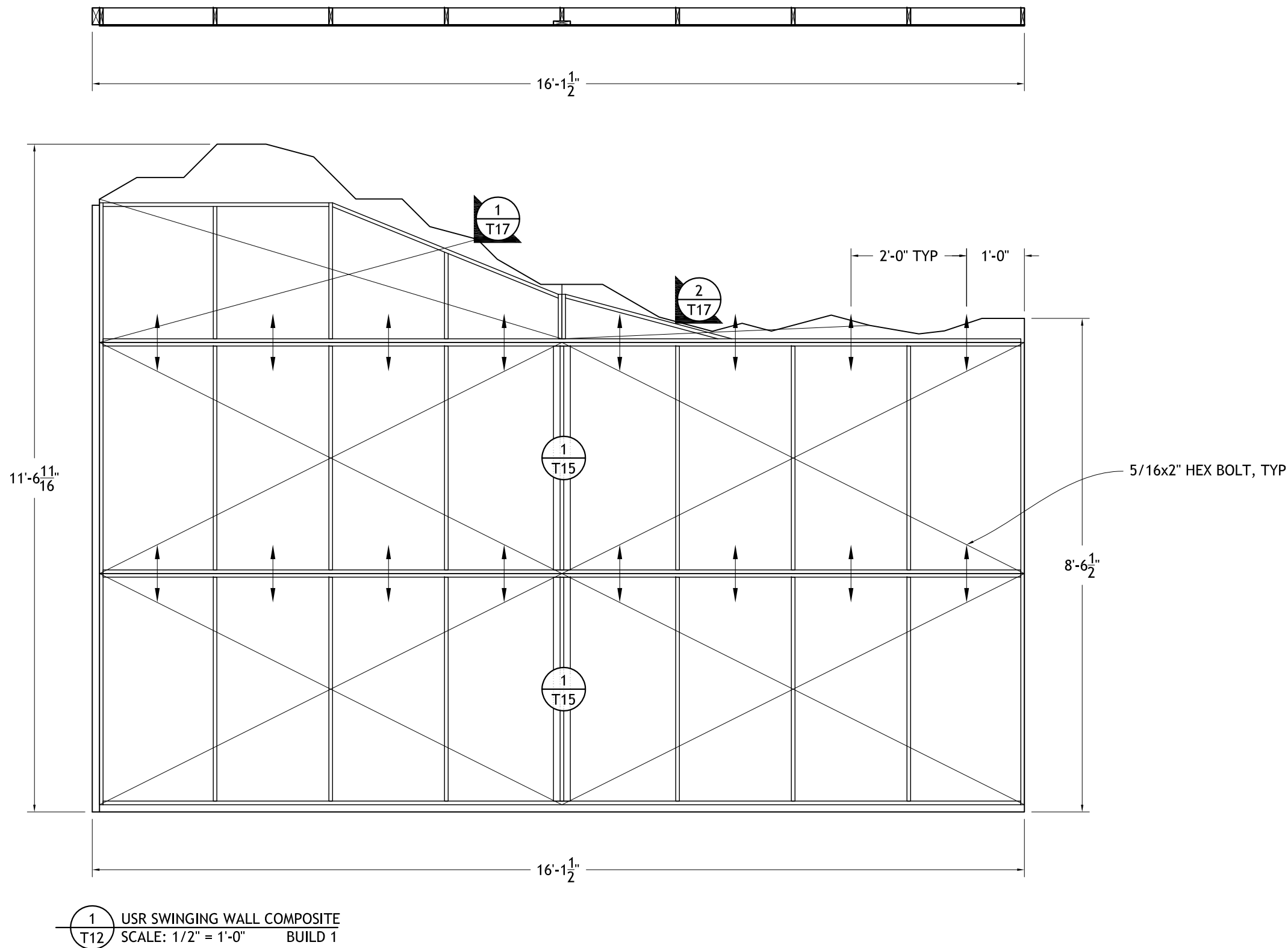


3 STOCK 4X8
 T11 SCALE: 1/2" = 1'-0" BUILD 13

IHSTF 2012 ALL STATE
 ALMOST, MAINE
 BRADEN AUDITORIUM

TURNTABLE SURROUND PLATFORMS

DATE: 01.01.12 VERSION: 8
 DIRECTOR: BEN STONER SCALE: 1/2" = 1'-0"
 DESIGNER: NICK QUINN DWG BY: NQ

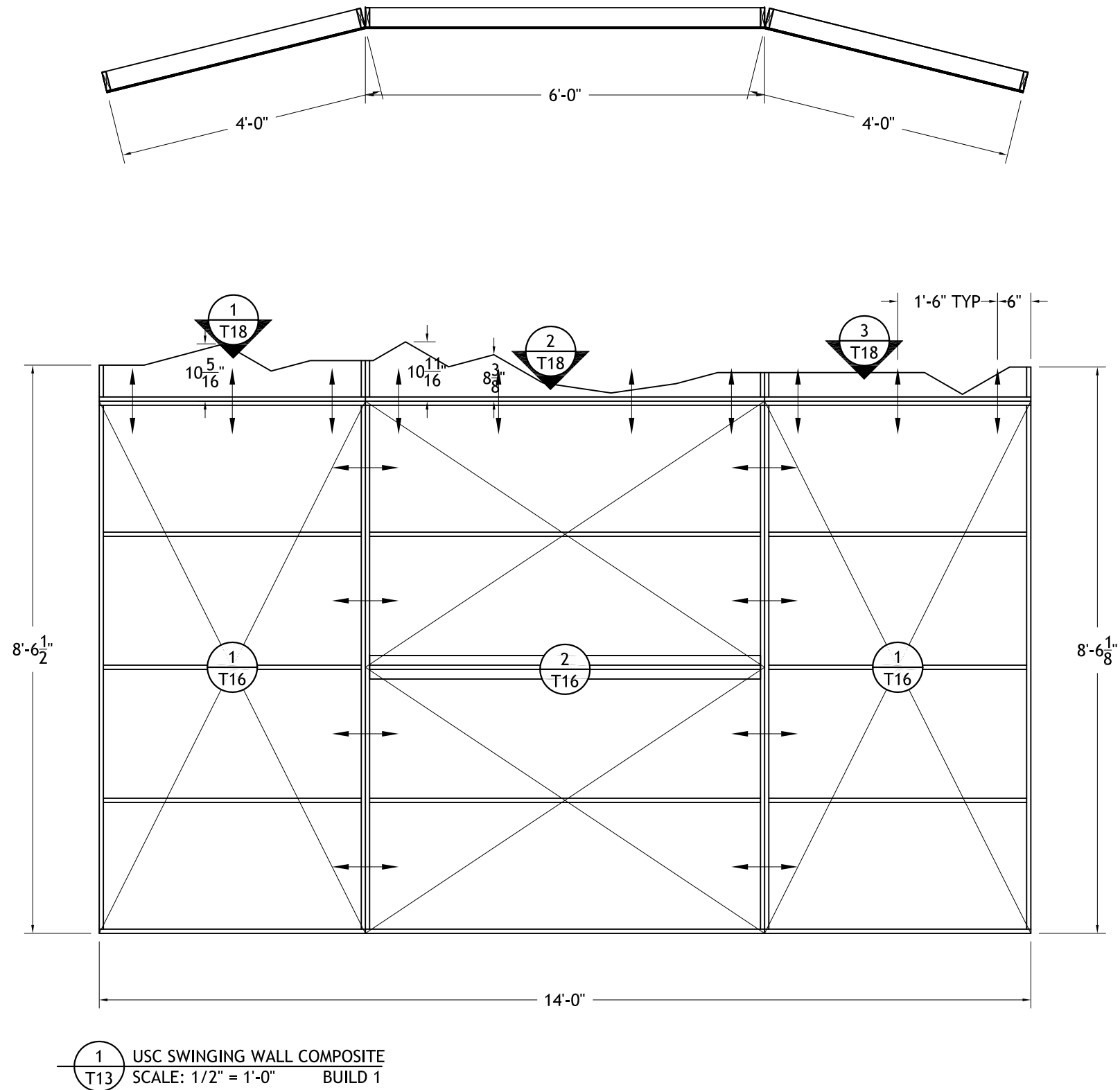


IHSTF 2012 ALL STATE
 ALMOST, MAINE
 BRADEN AUDITORIUM

USR MASKING WALL COMPOSITE

DATE: 01.01.12	VERSION: 8
DIRECTOR: BEN STONER	SCALE: 1/2" = 1'-0"
DESIGNER: NICK QUINN	DWG BY: NQ

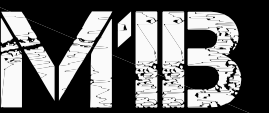


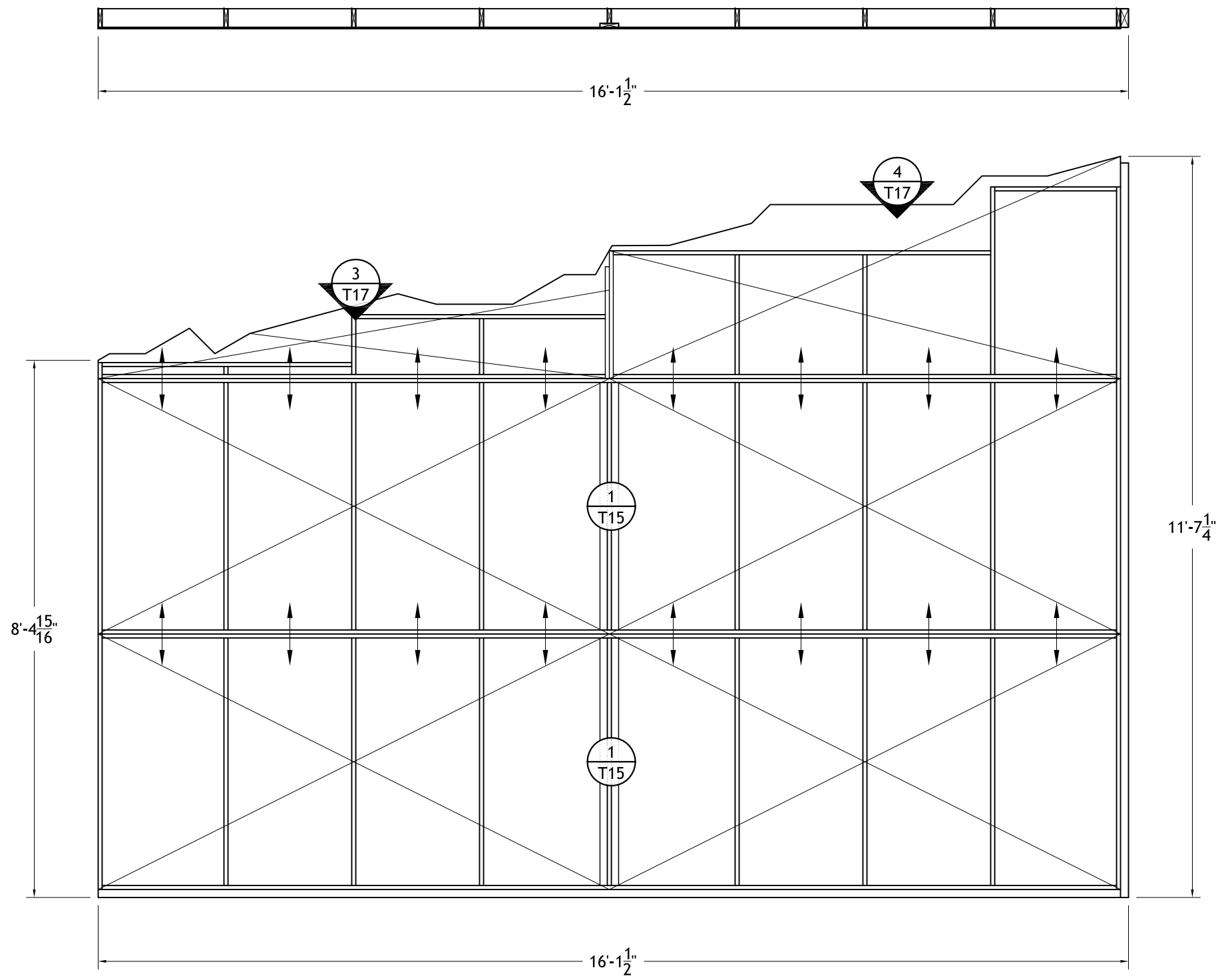


IHSTF 2012 ALL STATE
 ALMOST, MAINE
 BRADEN AUDITORIUM

USC MASKING WALL COMPOSITE

DATE: 01.01.12	VERSION: 8
DIRECTOR: BEN STONER	SCALE: 1/2" = 1'-0"
DESIGNER: NICK QUINN	DWG BY: NQ



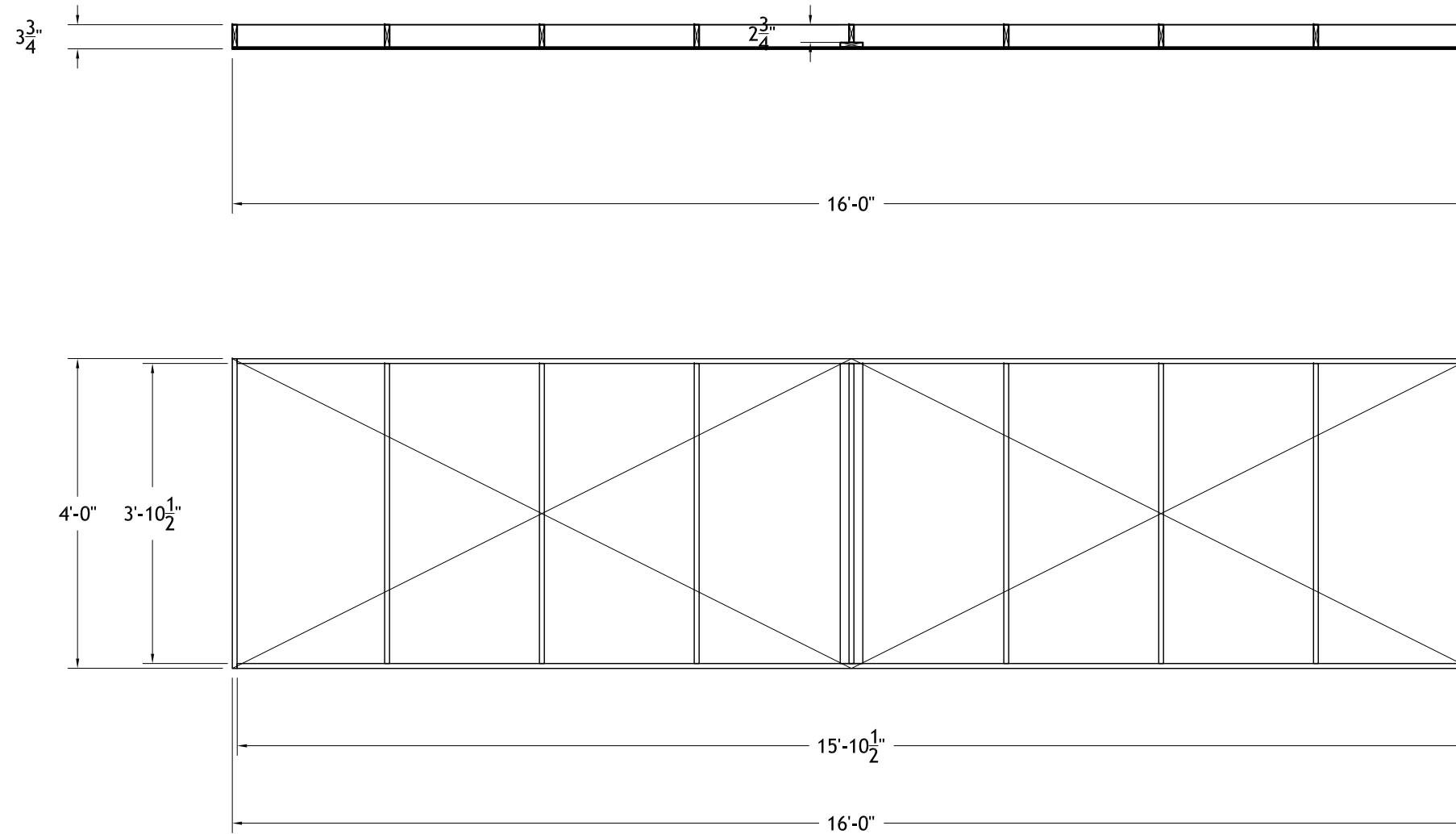


1 USL SWINGING WALL COMPOSITE
 T14 SCALE: 1/2" = 1'-0" BUILD 1

IHSTF 2012 ALL STATE
 ALMOST, MAINE
 BRADEN AUDITORIUM

USL MASKING WALL COMPOSITE
 DATE: 01.01.12 VERSION: 8
 DIRECTOR: BEN STONER SCALE: 1/2" = 1'-0"
 DESIGNER: NICK QUINN DWG BY: NQ





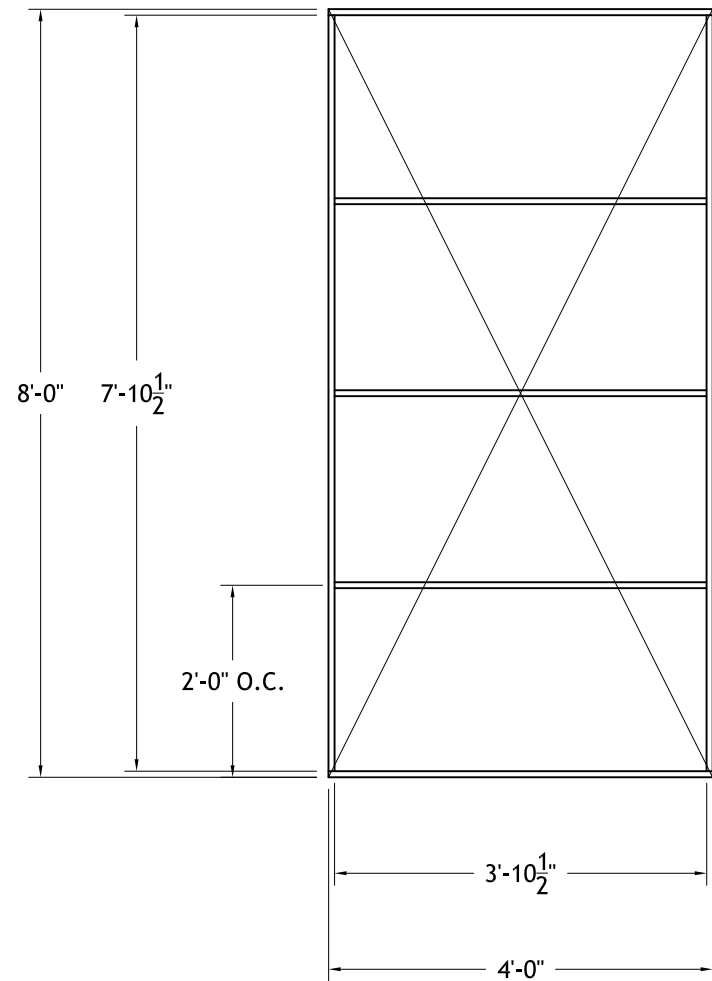
1 4x16' HOLLYWOOD FLAT
 T15 SCALE: 3/4" = 1'-0" BUILD 4

IHSTF 2012 ALL STATE
 ALMOST, MAINE
 BRADEN AUDITORIUM

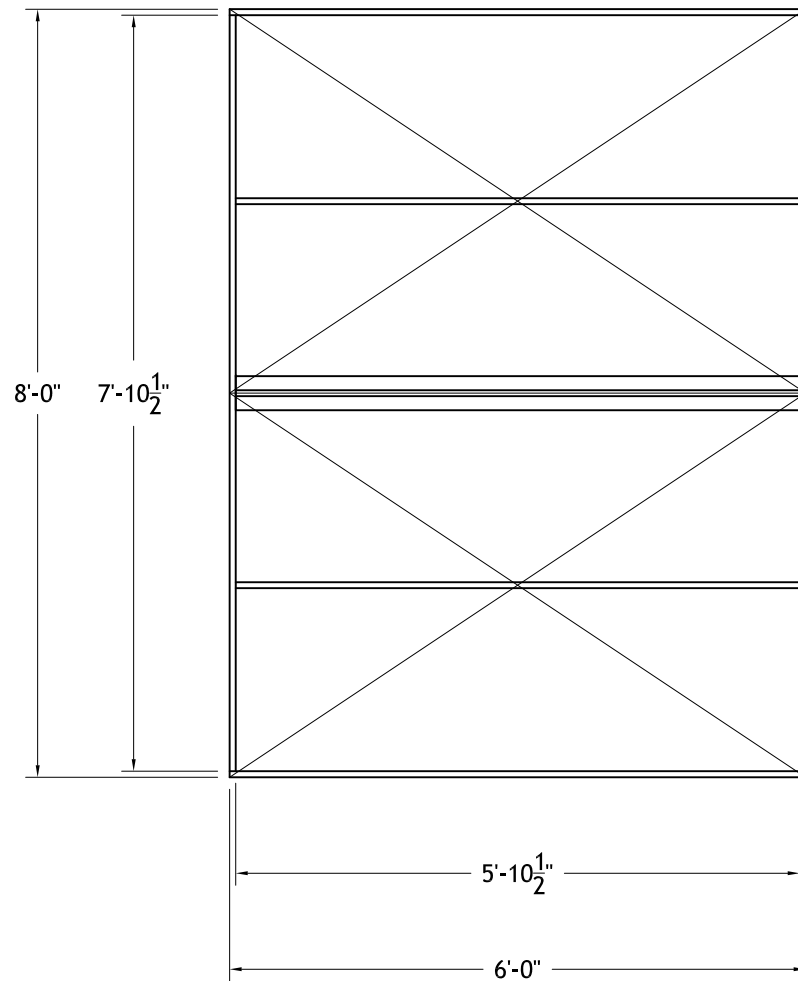
USR & USL MASKING WALL COMPONENTS

DATE: 01.01.12	VERSION: 8
DIRECTOR: BEN STONER	SCALE: 1/2" = 1'-0"
DESIGNER: NICK QUINN	DWG BY: NQ

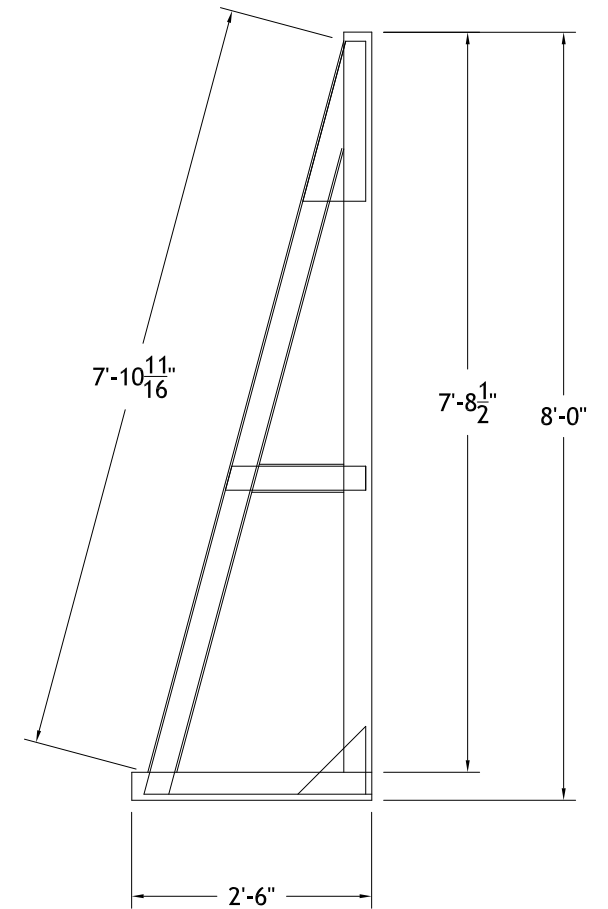




1 4x8' HOLLYWOOD FLAT
 T16 SCALE: 3/4" = 1'-0" BUILD 2



2 6x8' HOLLYWOOD FLAT
 T16 SCALE: 3/4" = 1'-0" BUILD 1

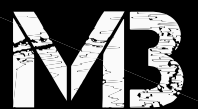


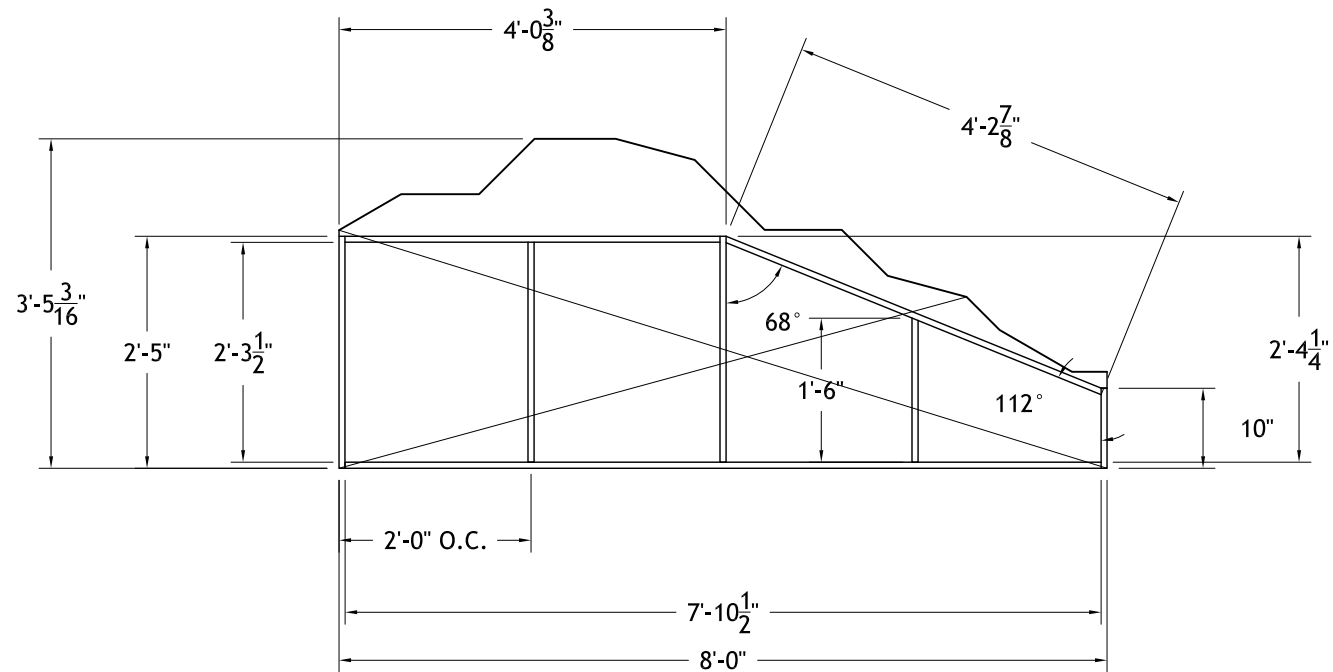
3 WALL JACK
 T16 SCALE: 3/4" = 1'-0" BUILD 2

IHSTF 2012 ALL STATE
 ALMOST, MAINE
 BRADEN AUDITORIUM

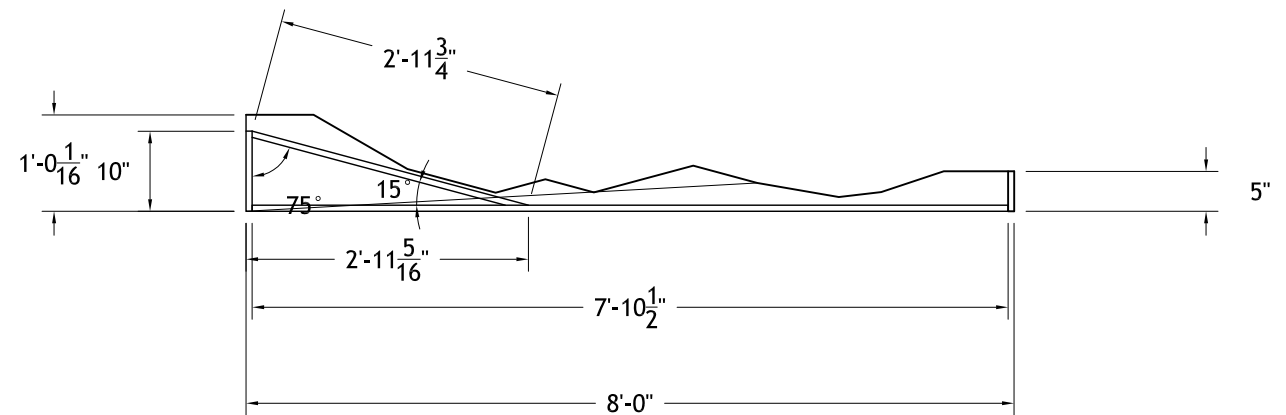
USC MASKING WALL COMPONENTS

DATE: 01.01.12	VERSION: 8
DIRECTOR: BEN STONER	SCALE: 1/2" = 1'-0"
DESIGNER: NICK QUINN	DWG BY: NQ

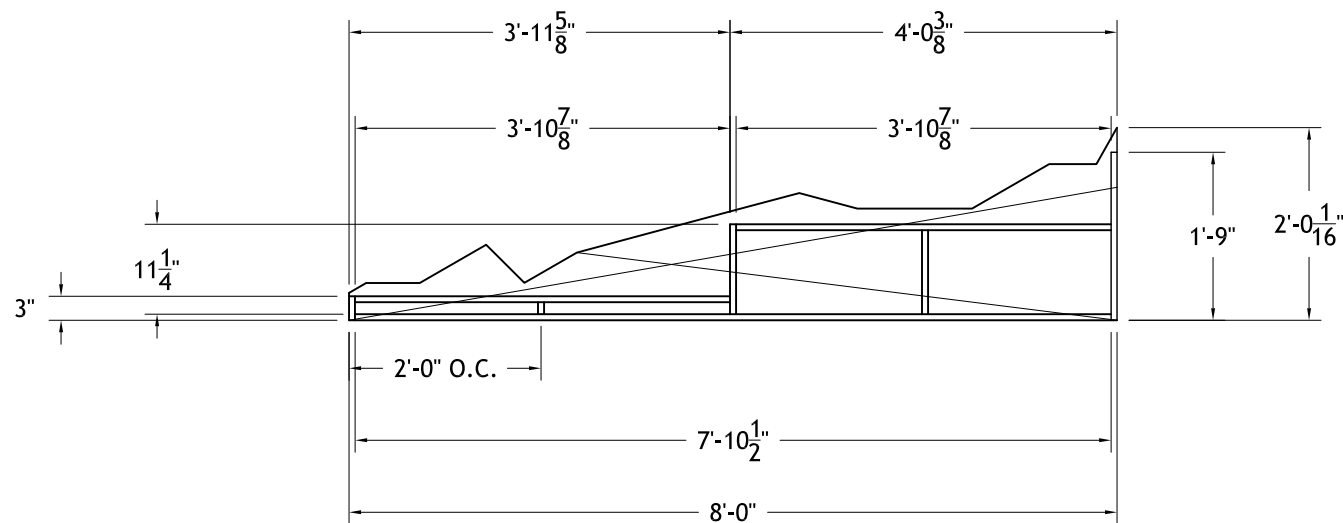




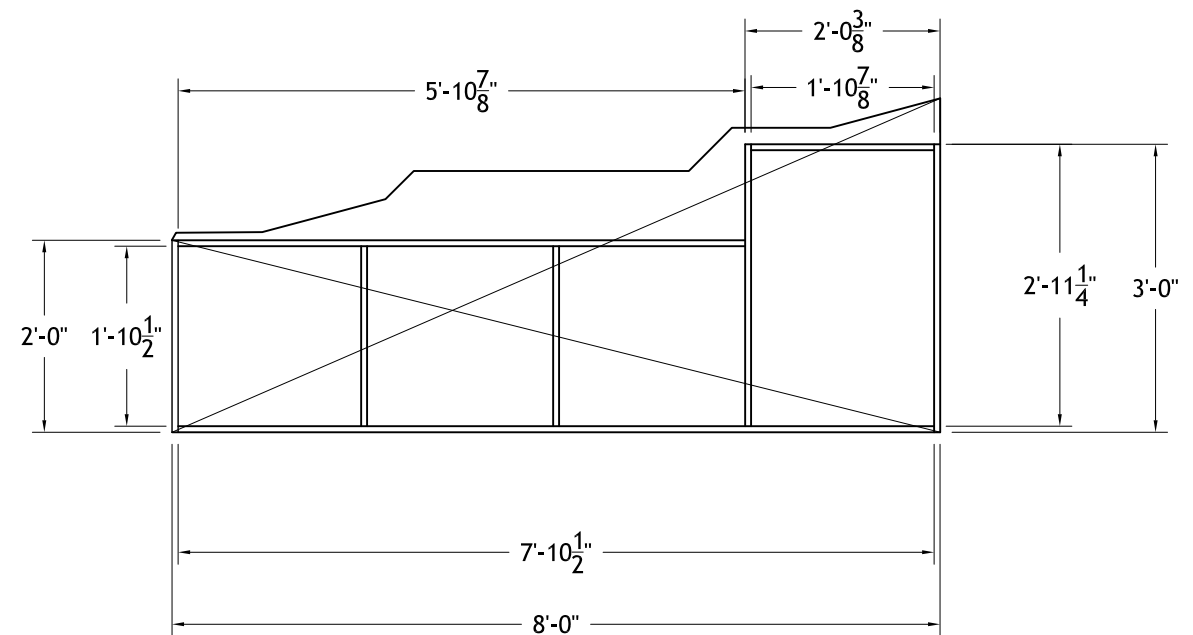
1 CUSTOM SR FLAT 1
 T17 SCALE: 1/2" = 1'-0" BUILD 1



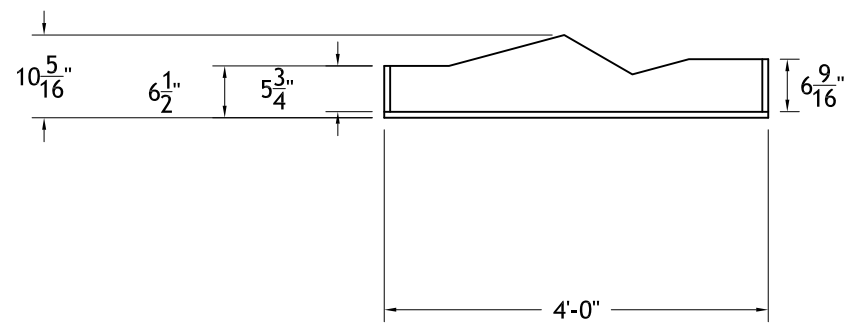
2 CUSTOM SR FLAT 2
 T17 SCALE: 1/2" = 1'-0" BUILD 1



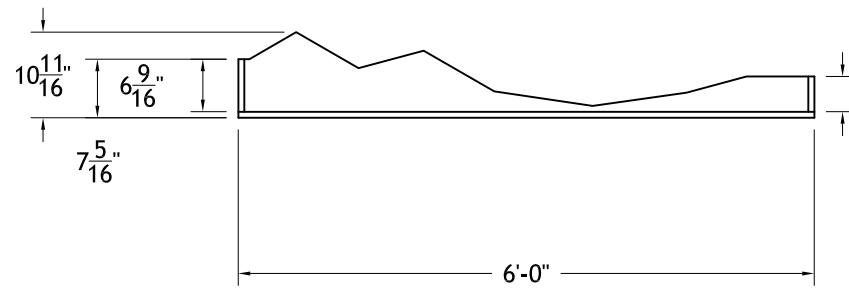
3 CUSTOM SL FLAT 1
 T17 SCALE: 1/2" = 1'-0" BUILD 1



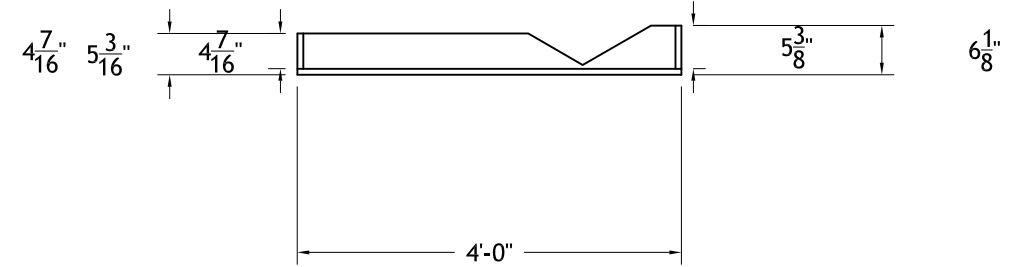
4 CUSTOM SL FLAT 2
 T17 SCALE: 1/2" = 1'-0" BUILD 1



1 CUSTOM SC FLAT 1
 T18 SCALE: 1/2" = 1'-0" BUILD 1



2 CUSTOM SC FLAT 2
 T18 SCALE: 1/2" = 1'-0" BUILD 1



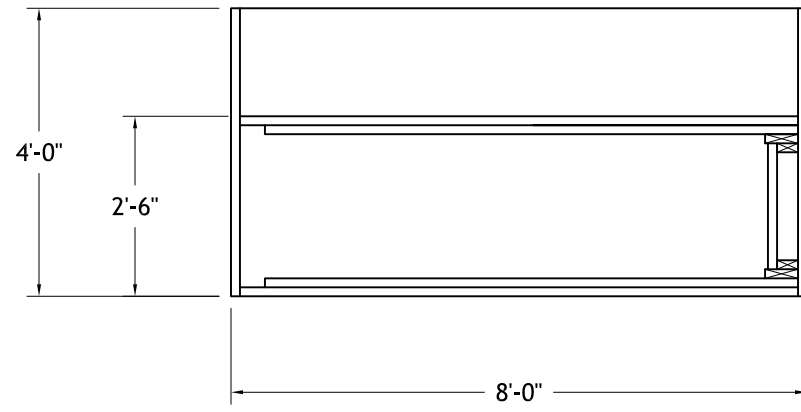
3 CUSTOM SC FLAT 3
 T18 SCALE: 1/2" = 1'-0" BUILD 1

IHSTF 2012 ALL STATE
 ALMOST, MAINE
 BRADEN AUDITORIUM

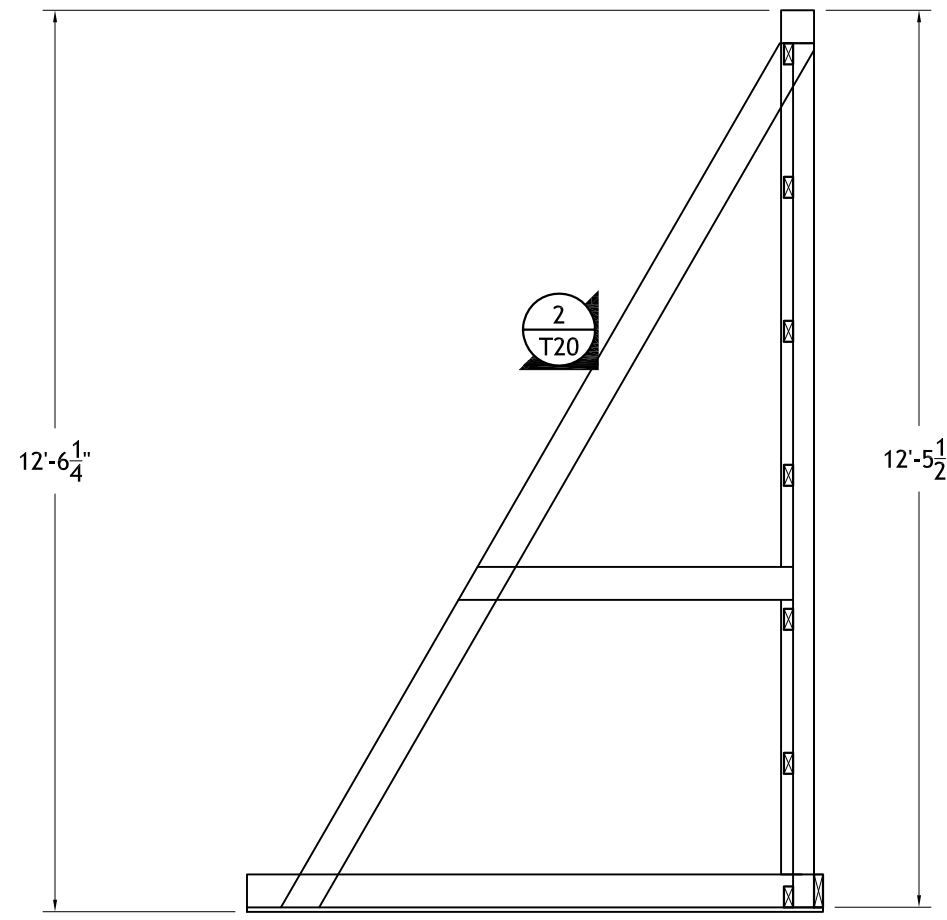
USC CUSTOM FLATS

DATE: 01.01.12	VERSION: 8
DIRECTOR: BEN STONER	SCALE: 1/2" = 1'-0"
DESIGNER: NICK QUINN	DWG BY: NQ

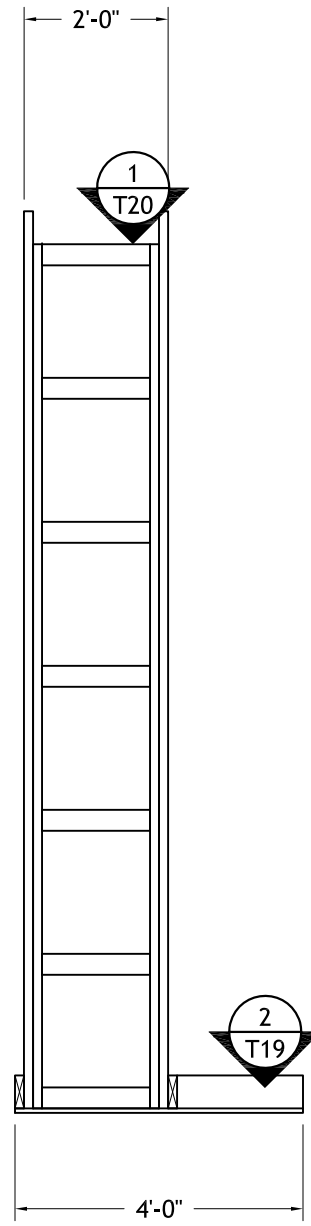




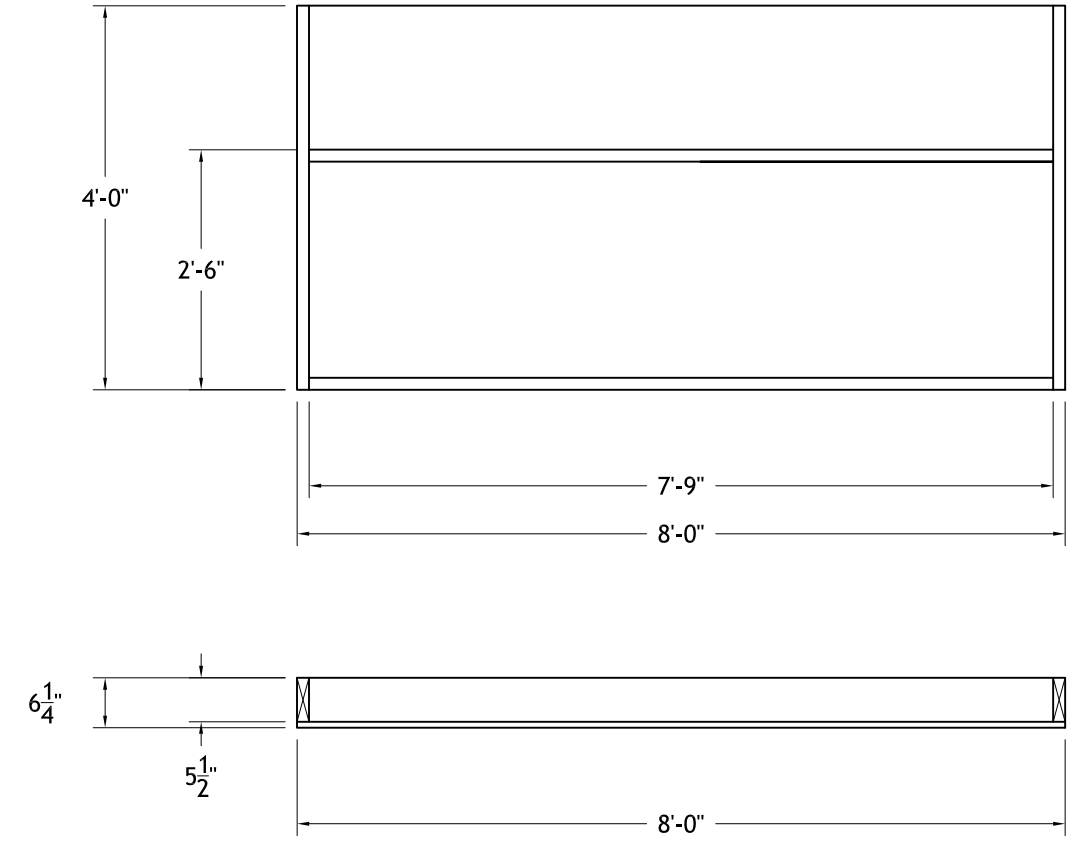
TOP VIEW



FRONT VIEW



SIDE VIEW



2 SWINGING WALL SUPPORT BASE
 T19 SCALE: 1/2" = 1'-0" R&R

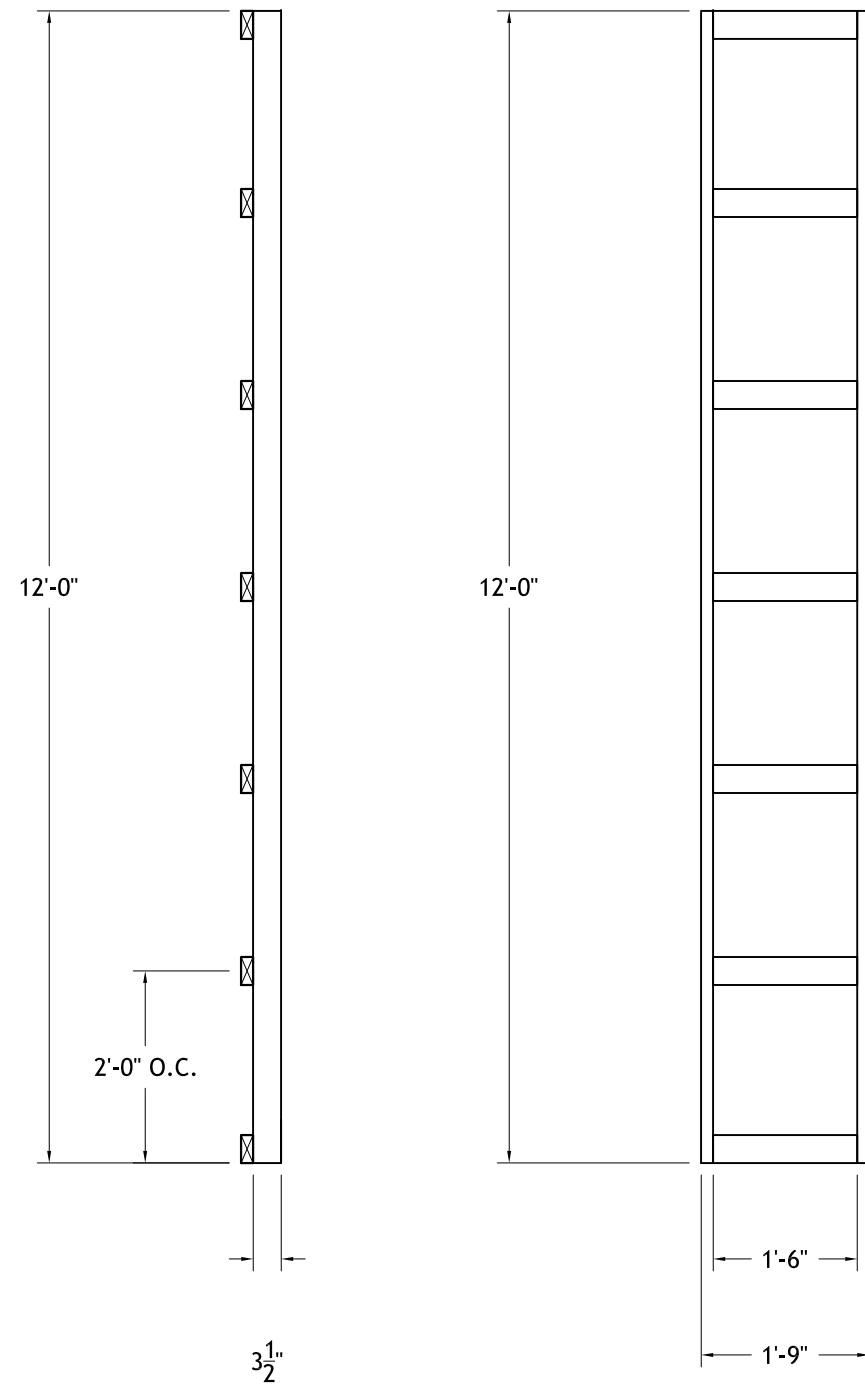
1 SWINGING WALL SUPPORT COMPOSITE
 T19 SCALE: 3/8" = 1'-0" R&R

IHSTF 2012 ALL STATE
 ALMOST, MAINE
 BRADEN AUDITORIUM

MASKING WALL SUPPORTS

DATE: 01.01.12 VERSION: 8
 DIRECTOR: BEN STONER SCALE: 1/2" = 1'-0"
 DESIGNER: NICK QUINN DWG BY: NQ

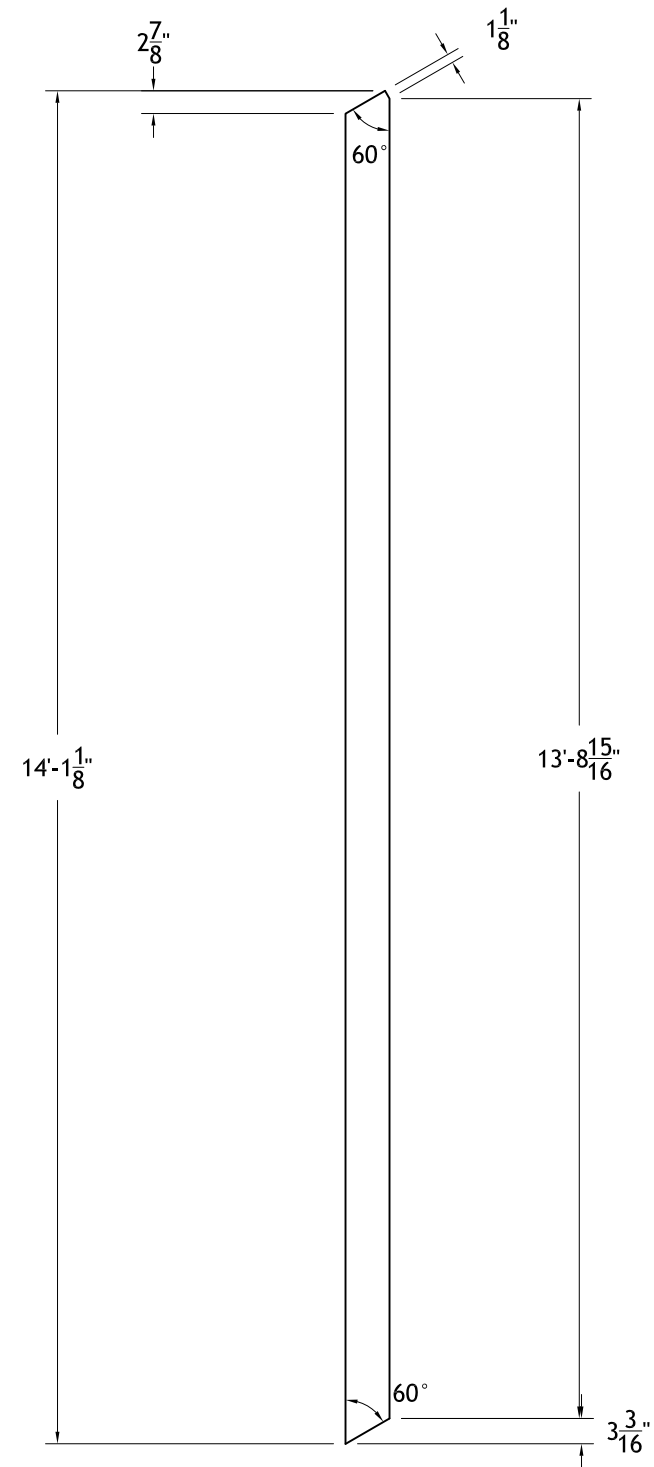




FRONT VIEW

SIDE VIEW

1 SWINGING WALL SUPPORT
 T20 SCALE: 1/2" = 1'-0" BUILD 2



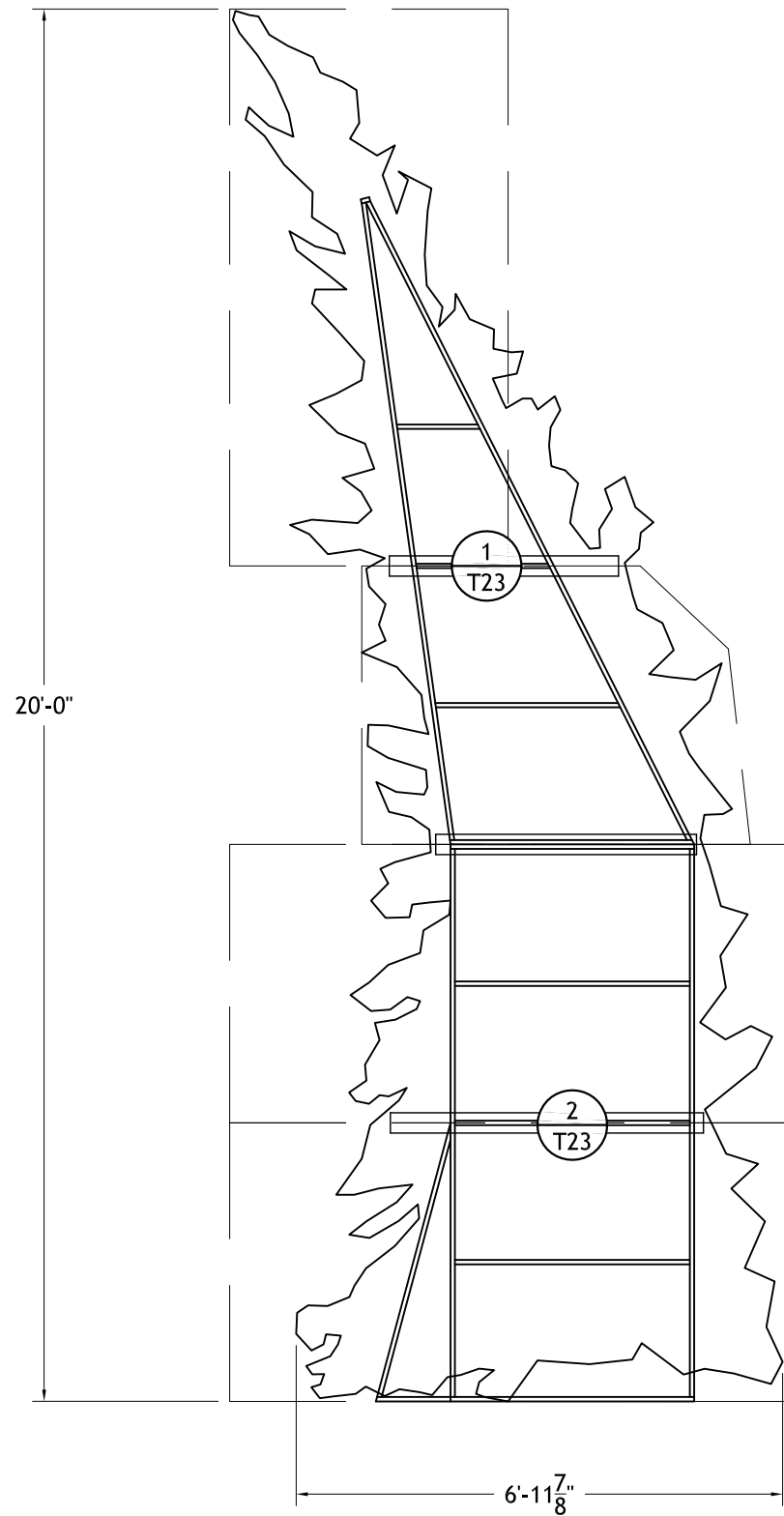
2 SWINGING WALL SUPPORT BRACE
 T20 SCALE: 1/2" = 1'-0" BUILD 4

IHSTF 2012 ALL STATE
 ALMOST, MAINE
 BRADEN AUDITORIUM

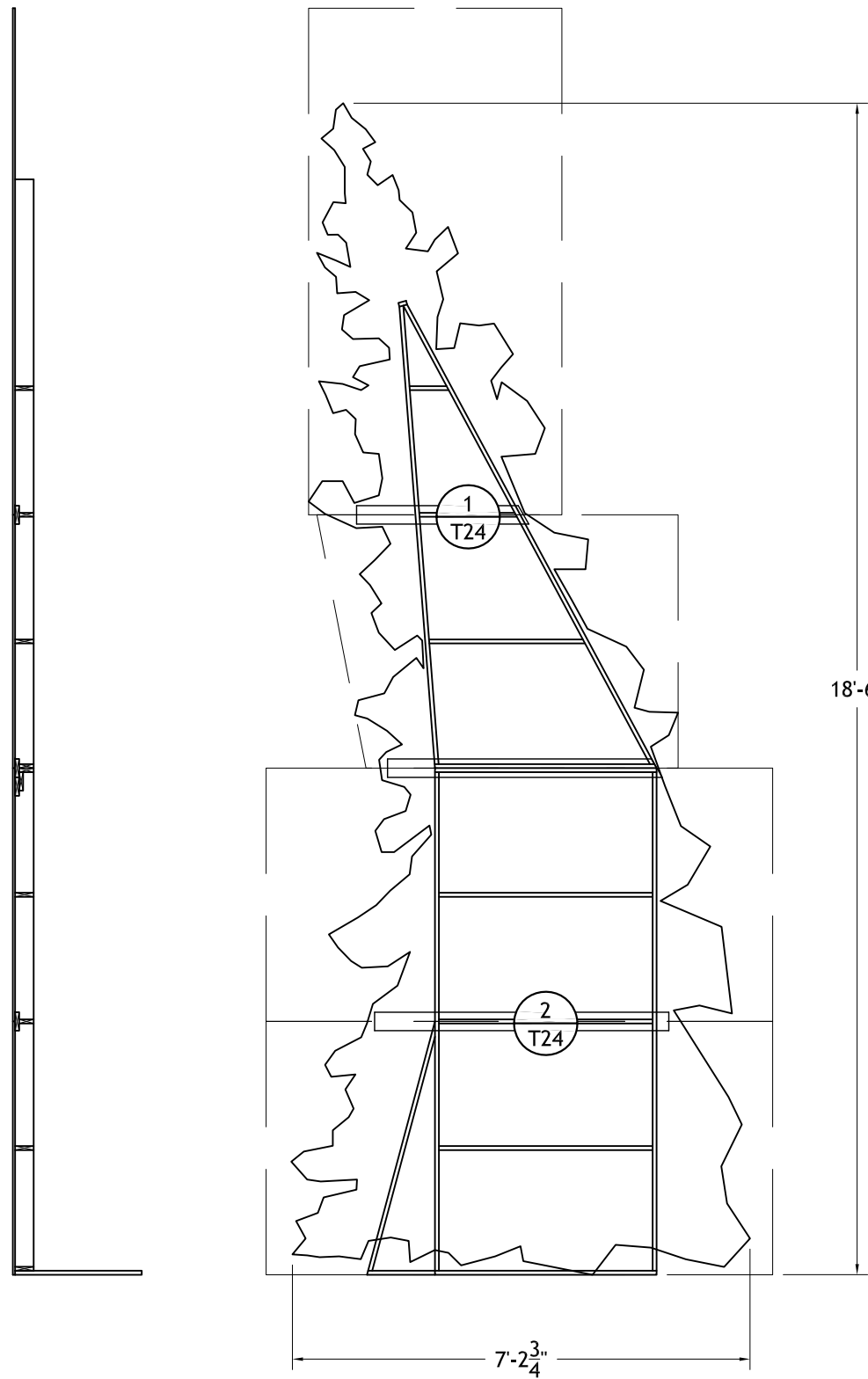
MASKING WALL SUPPORT COMPONENTS

DATE: 01.01.12 VERSION: 8
 DIRECTOR: BEN STONER SCALE: 1/2" = 1'-0"
 DESIGNER: NICK QUINN DWG BY: NQ

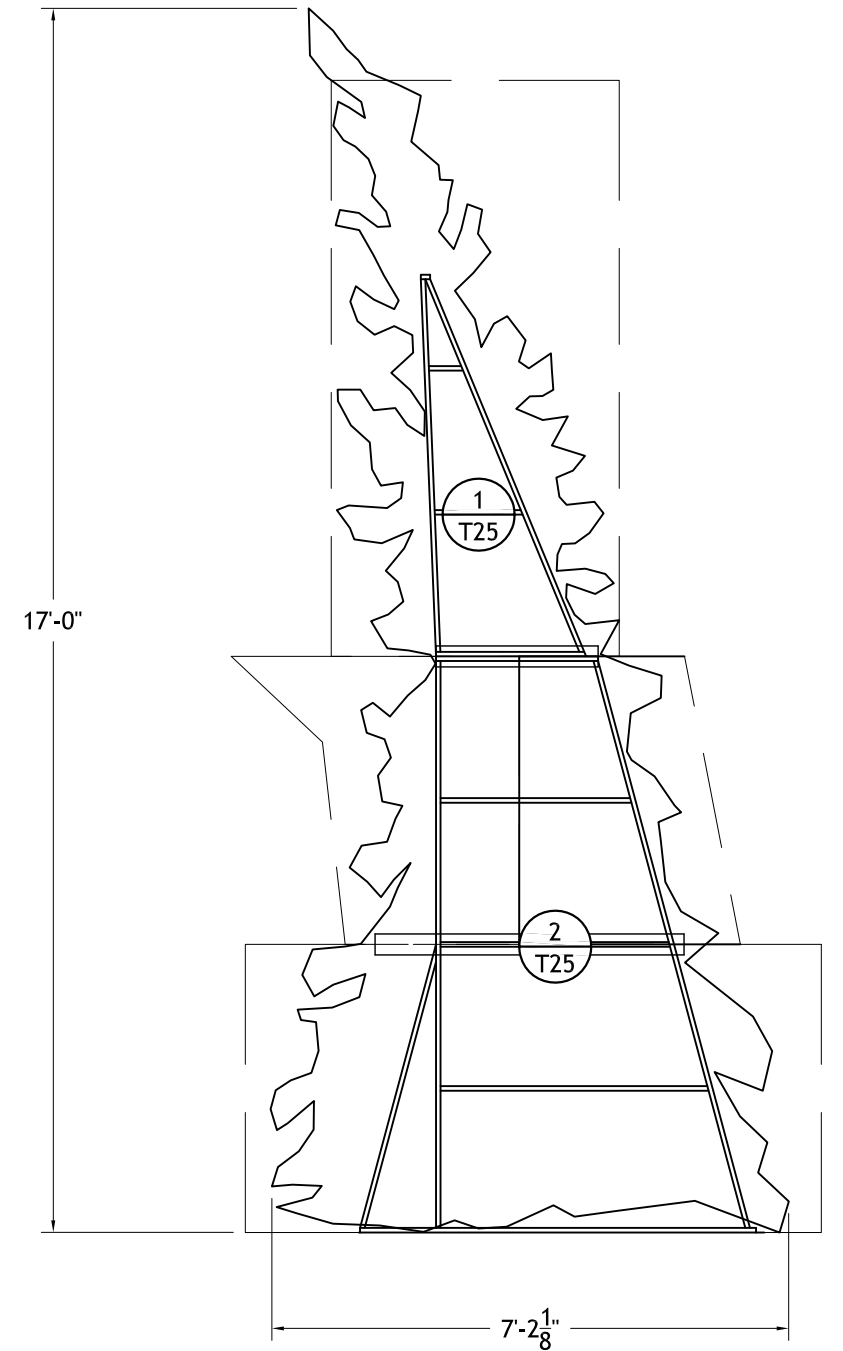




1 DSL TREE PORTAL
 T21 SCALE: 3/8" = 1'-0" BUILD 1



2 SL TREE PORTAL
 T21 SCALE: 3/8" = 1'-0" BUILD 1



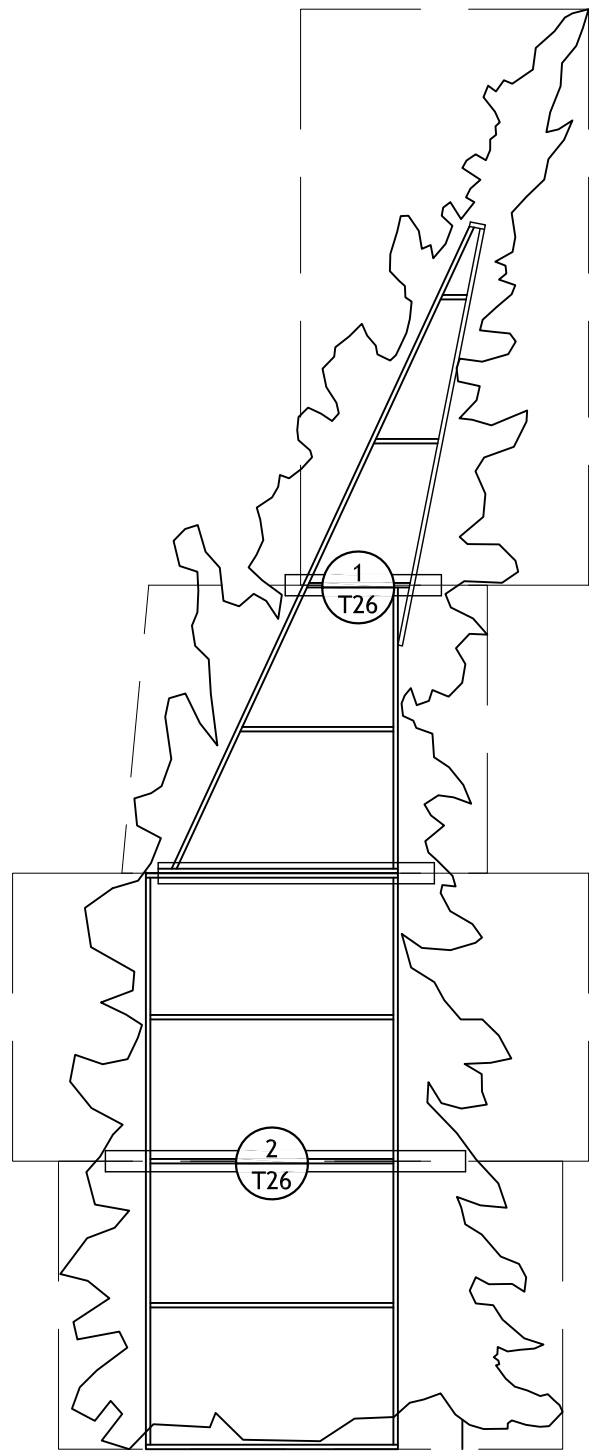
3 USL TREE PORTAL
 T21 SCALE: 3/8" = 1'-0" BUILD 1

IHSTF 2012 ALL STATE
 ALMOST, MAINE
 BRADEN AUDITORIUM

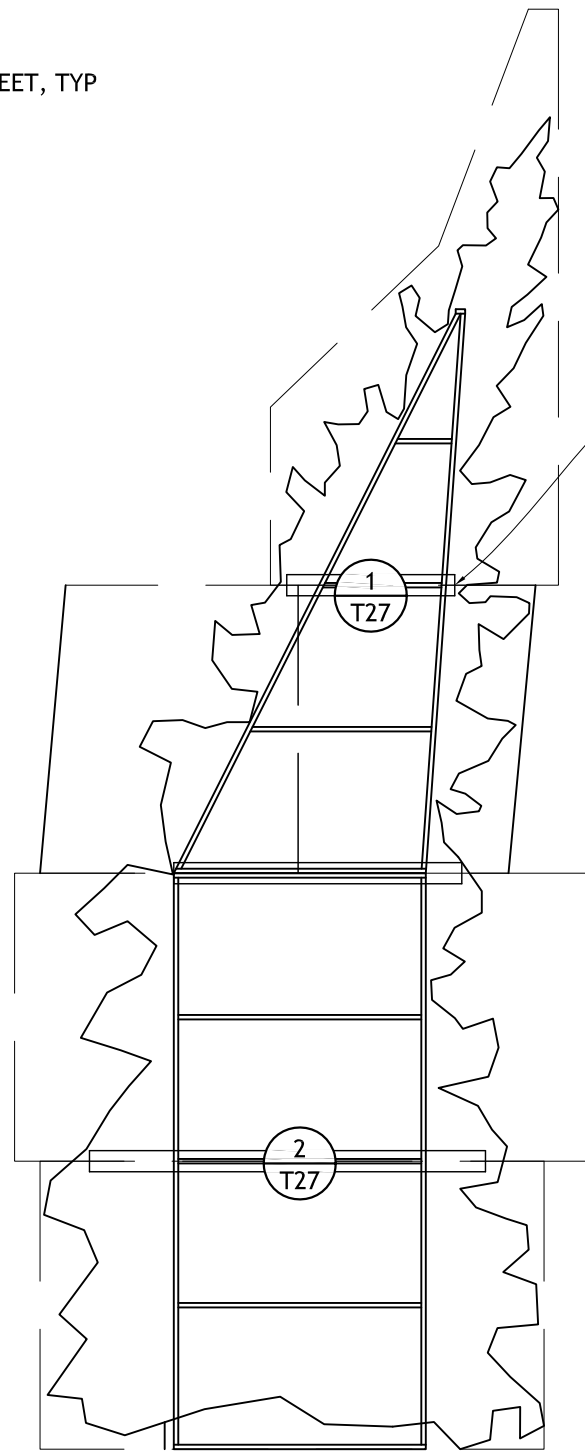
SL TREE PORTAL COMPOSITES

DATE: 01.01.12	VERSION: 8
DIRECTOR: BEN STONER	SCALE: 1/2" = 1'-0"
DESIGNER: NICK QUINN	DWG BY: NQ

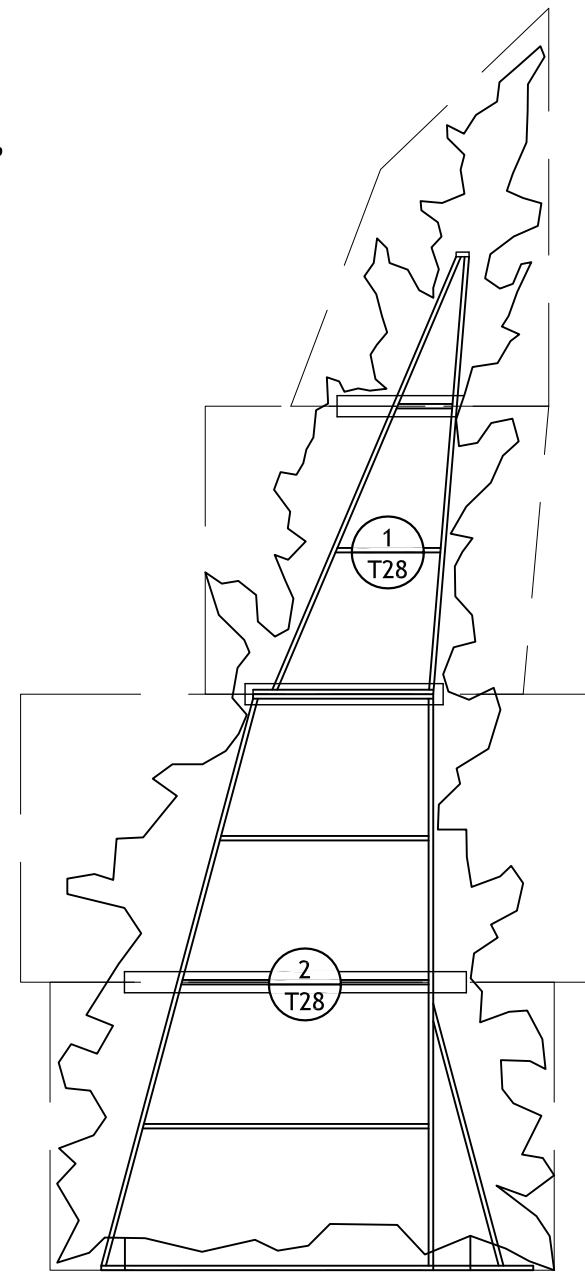




7/16" OSB SHEET, TYP



LET IN 1X4 PINE, TYP



1 DSR TREE PORTAL
 T26 SCALE: 3/8" = 1'-0" BUILD 1

2 SR TREE PORTAL
 T27 SCALE: 3/8" = 1'-0" BUILD 1

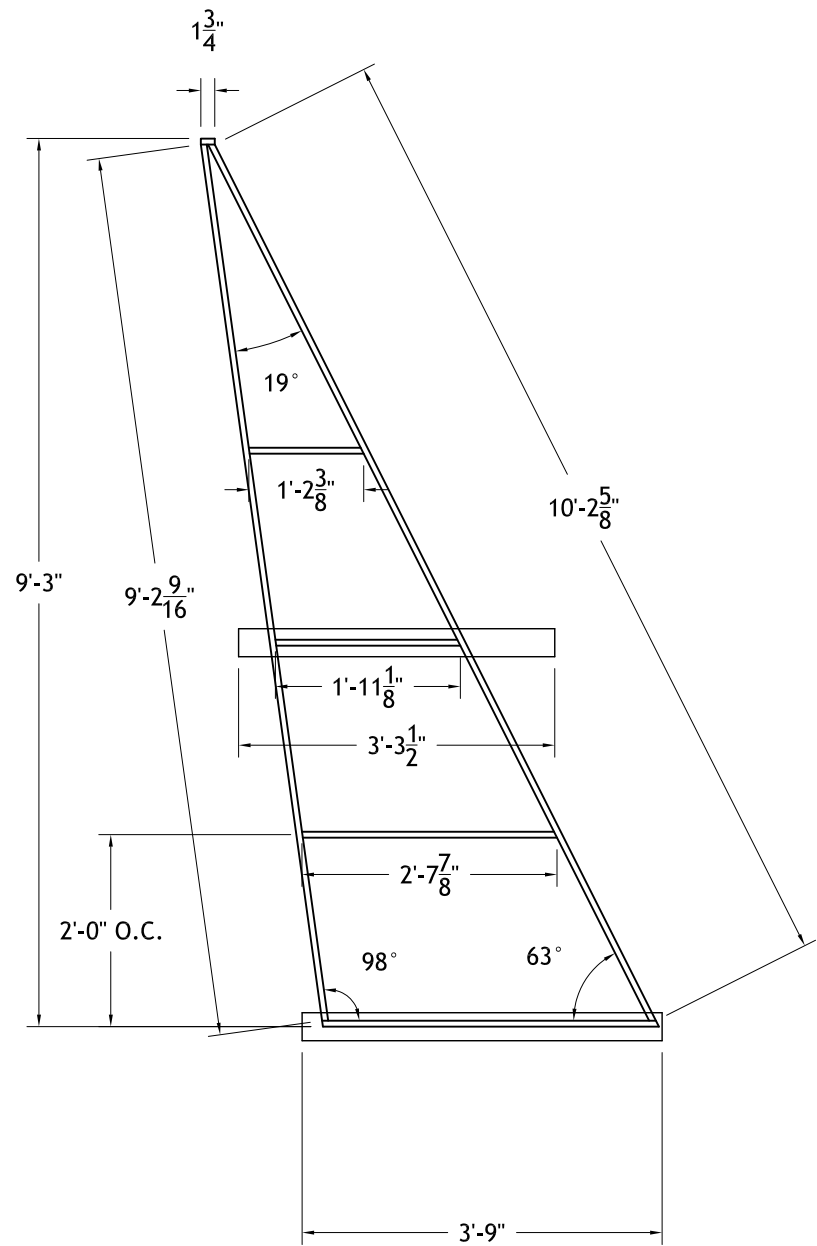
3 USR TREE PORTAL
 T28 SCALE: 3/8" = 1'-0" BUILD 1

IHSTF 2012 ALL STATE
 ALMOST, MAINE
 BRADEN AUDITORIUM

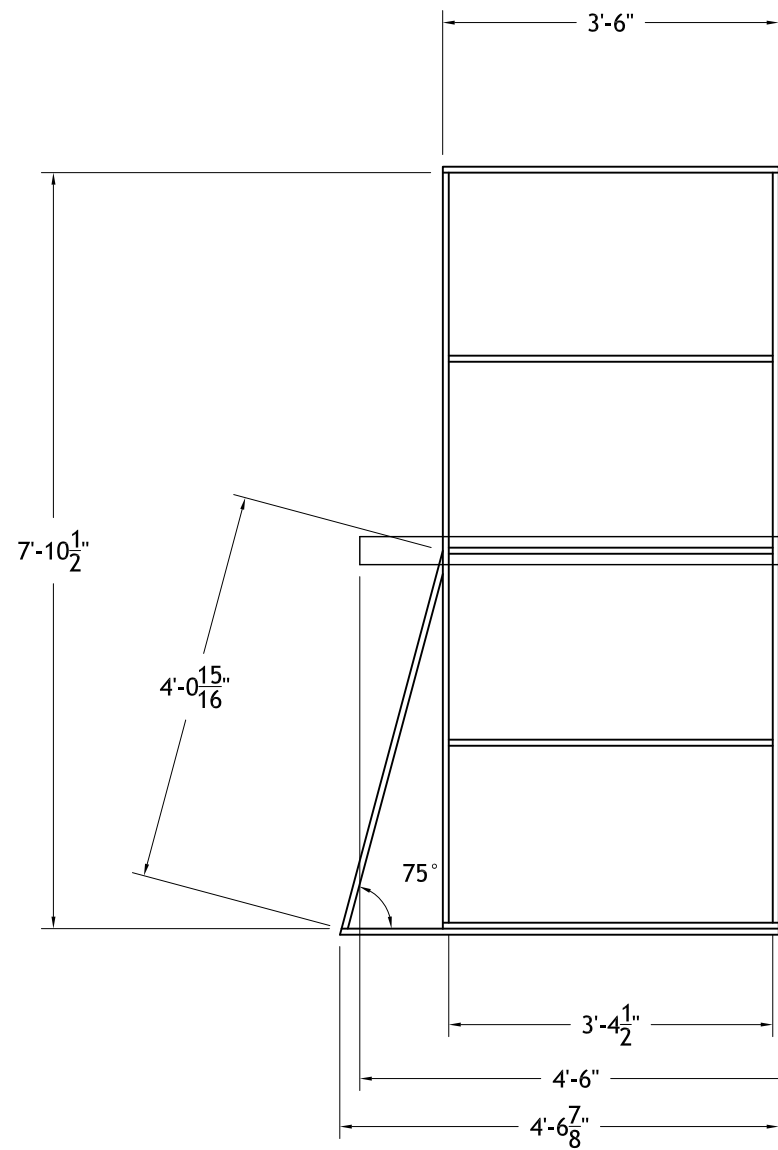
SR TREE PORTAL COMPOSITES

DATE: 01.01.12 VERSION: 8
 DIRECTOR: BEN STONER SCALE: 1/2" = 1'-0"
 DESIGNER: NICK QUINN DWG BY: NQ

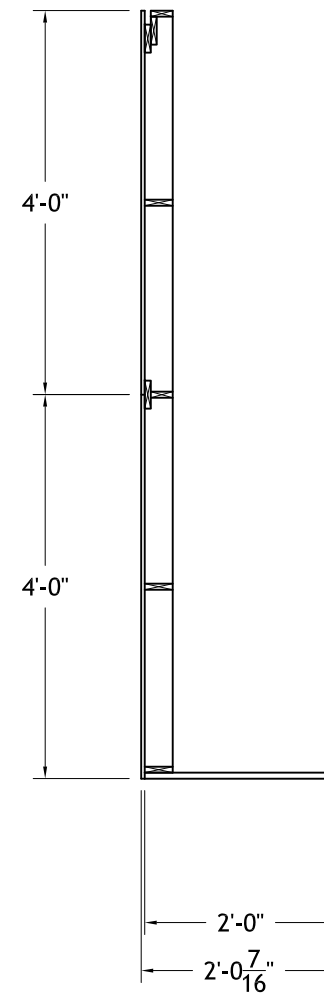




1 DSL TOP
 T23 SCALE: 1/2" = 1'-0" BUILD 1



2 DSL BOTTOM
 T23 SCALE: 1/2" = 1'-0" BUILD 1

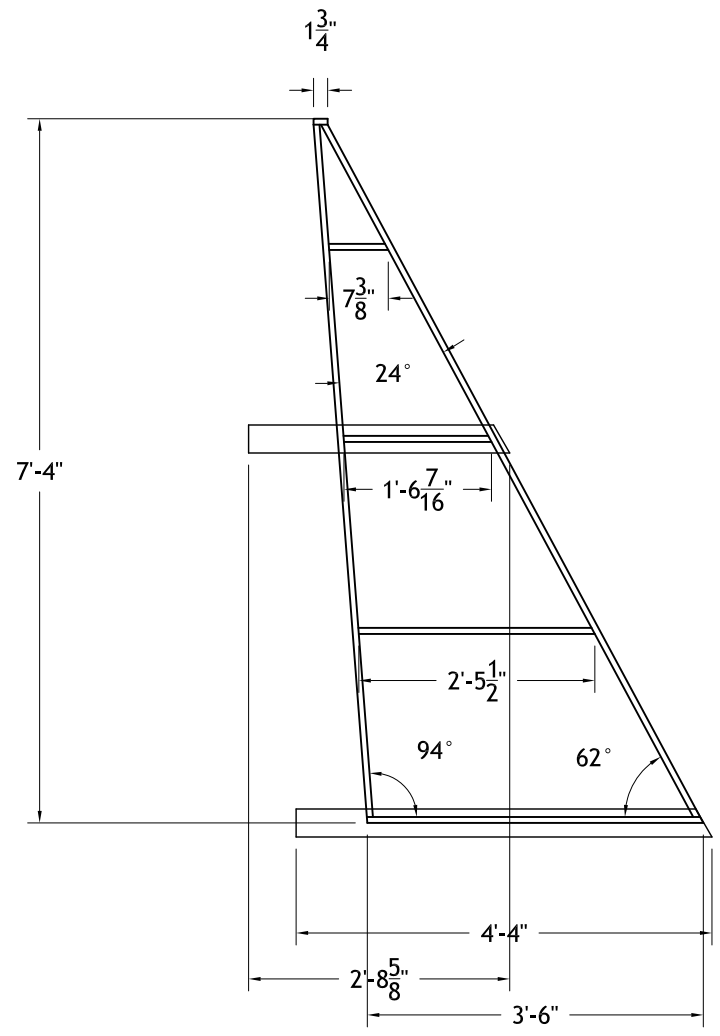


IHSTF 2012 ALL STATE
 ALMOST, MAINE
 BRADEN AUDITORIUM

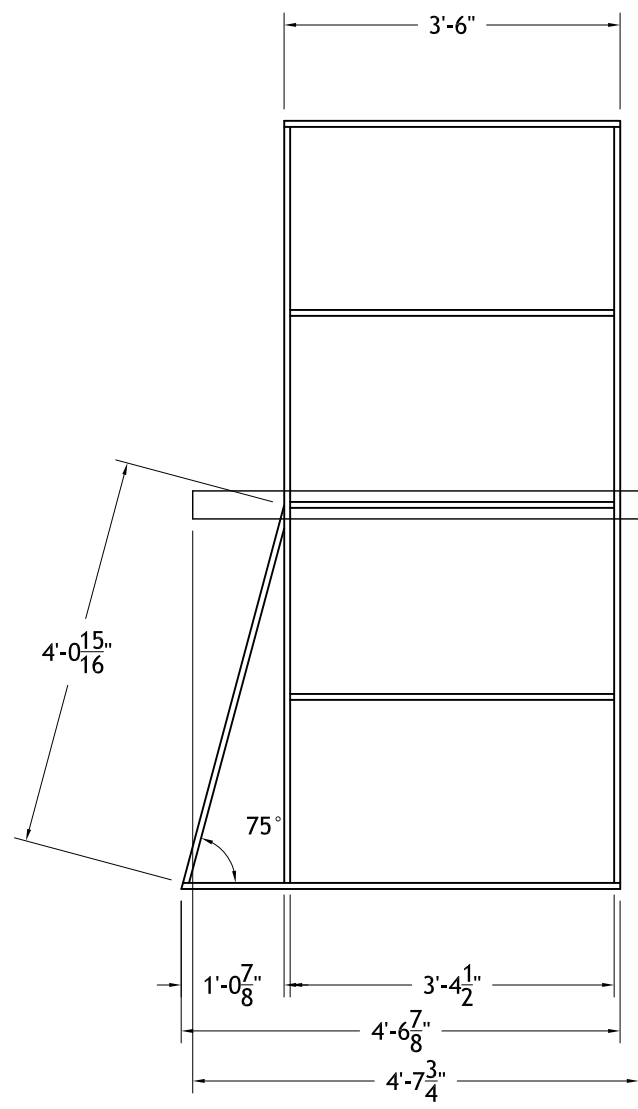
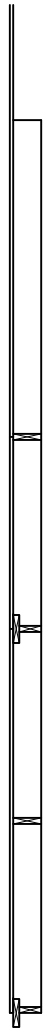
DSL TREE PORTAL FRAMES

DATE: 01.01.12 VERSION: 8
 DIRECTOR: BEN STONER SCALE: 1/2" = 1'-0"
 DESIGNER: NICK QUINN DWG BY: NQ

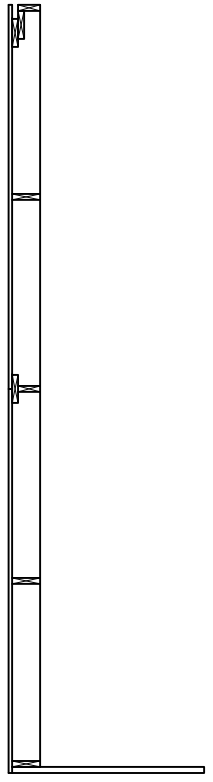
TP2

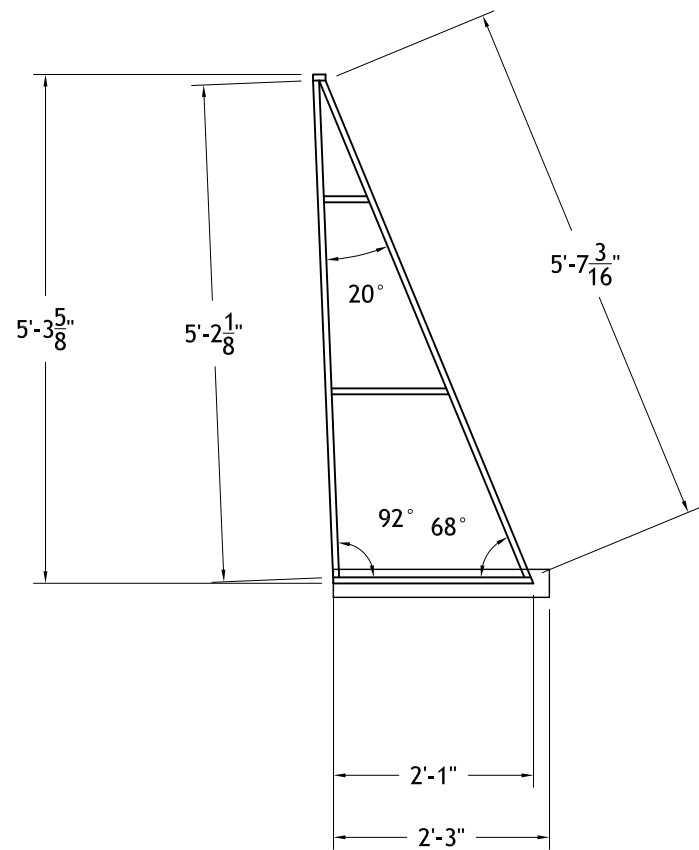


1 SL TOP
 T24 SCALE: 1/2" = 1'-0" BUILD 1

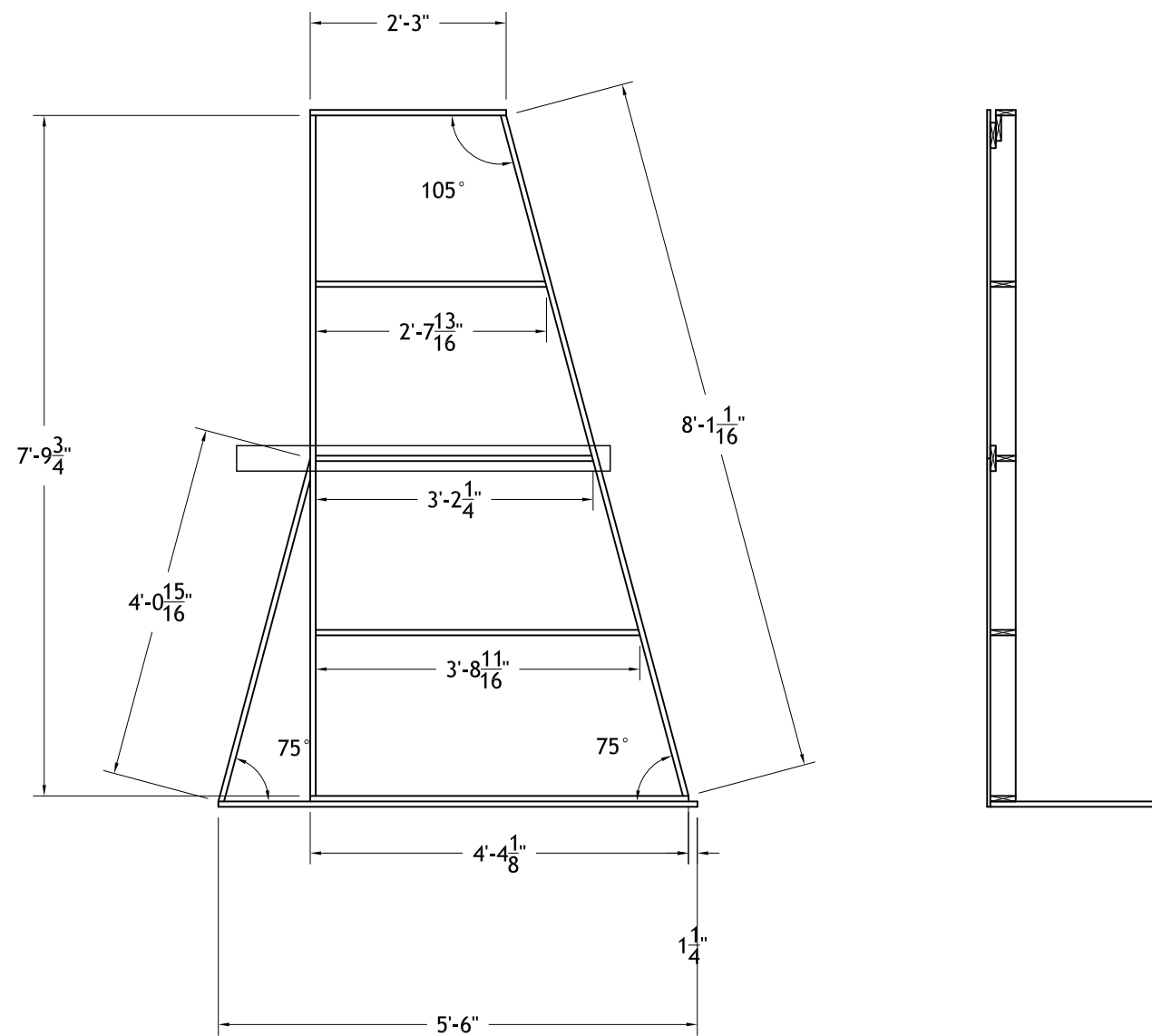


2 SL BOTTOM
 T24 SCALE: 1/2" = 1'-0" BUILD 1





1 USL TOP
 T25 SCALE: 1/2" = 1'-0" BUILD 1



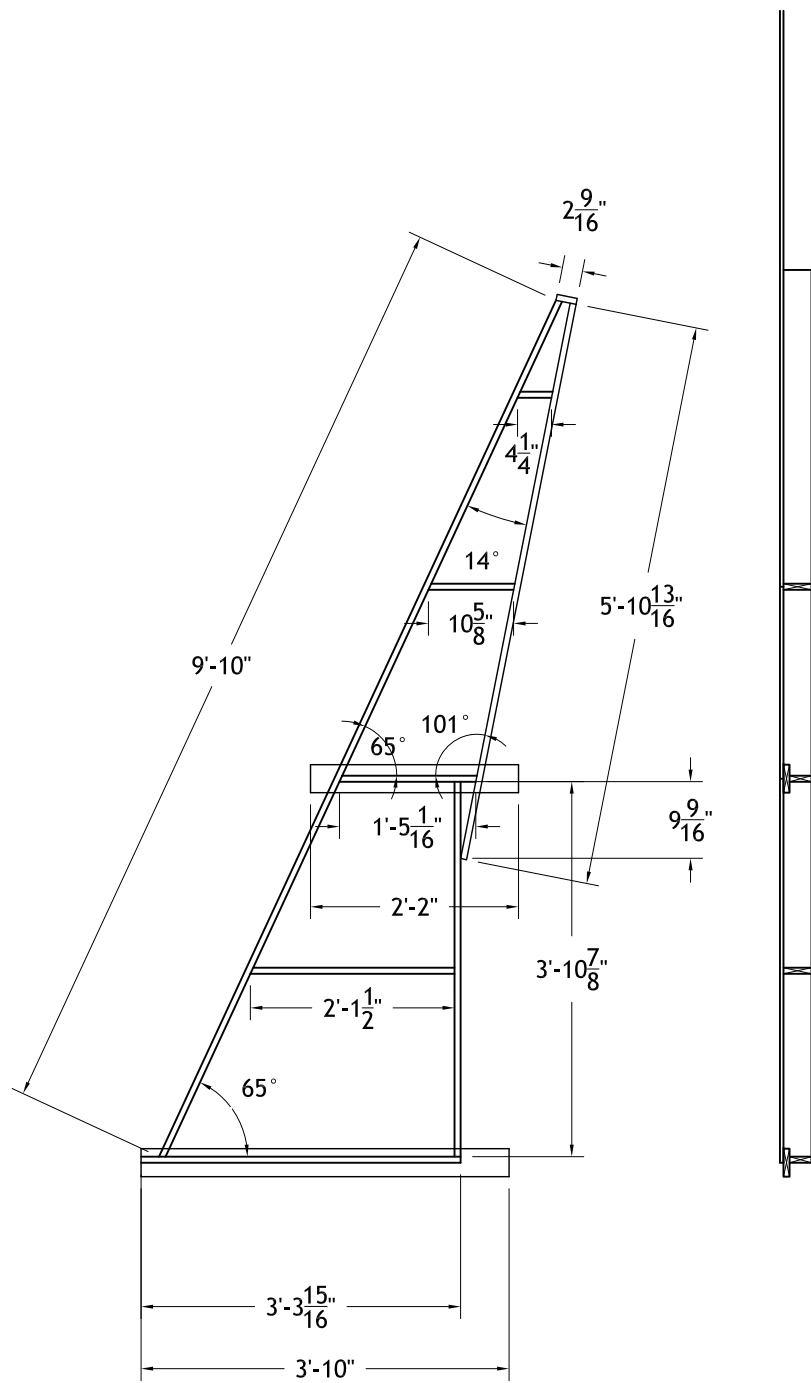
2 USL BOTTOM
 T25 SCALE: 1/2" = 1'-0" BUILD 1

IHSTF 2012 ALL STATE
 ALMOST, MAINE
 BRADEN AUDITORIUM

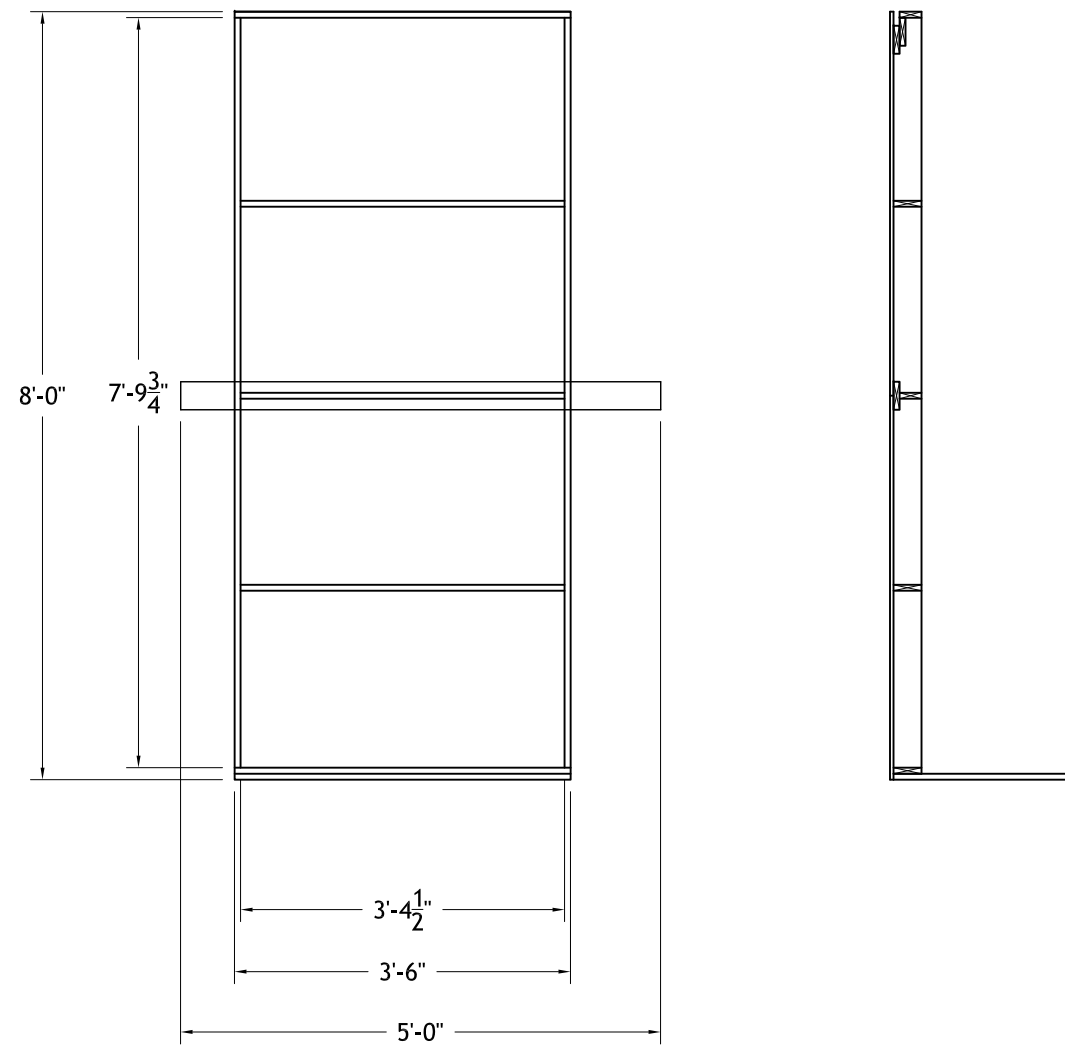
USL TREE PORTAL FRAMES

DATE: 01.01.12 VERSION: 8
 DIRECTOR: BEN STONER SCALE: 1/2" = 1'-0"
 DESIGNER: NICK QUINN DWG BY: NQ

TP4



1 DSR TOP
 T26 SCALE: 1/2" = 1'-0" BUILD 1



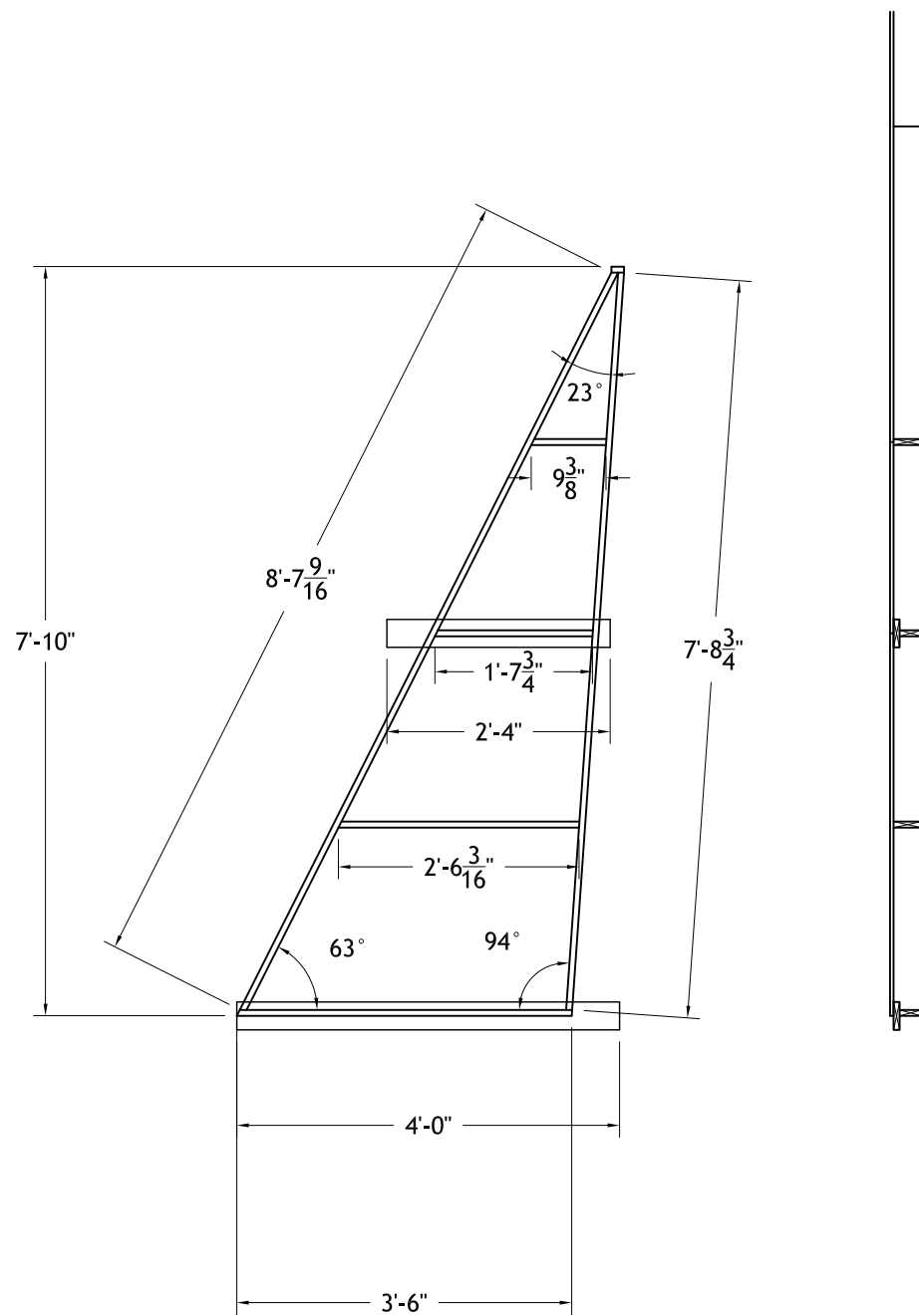
2 DSR BOTTOM
 T26 SCALE: 1/2" = 1'-0" BUILD 1

IHSTF 2012 ALL STATE
 ALMOST, MAINE
 BRADEN AUDITORIUM

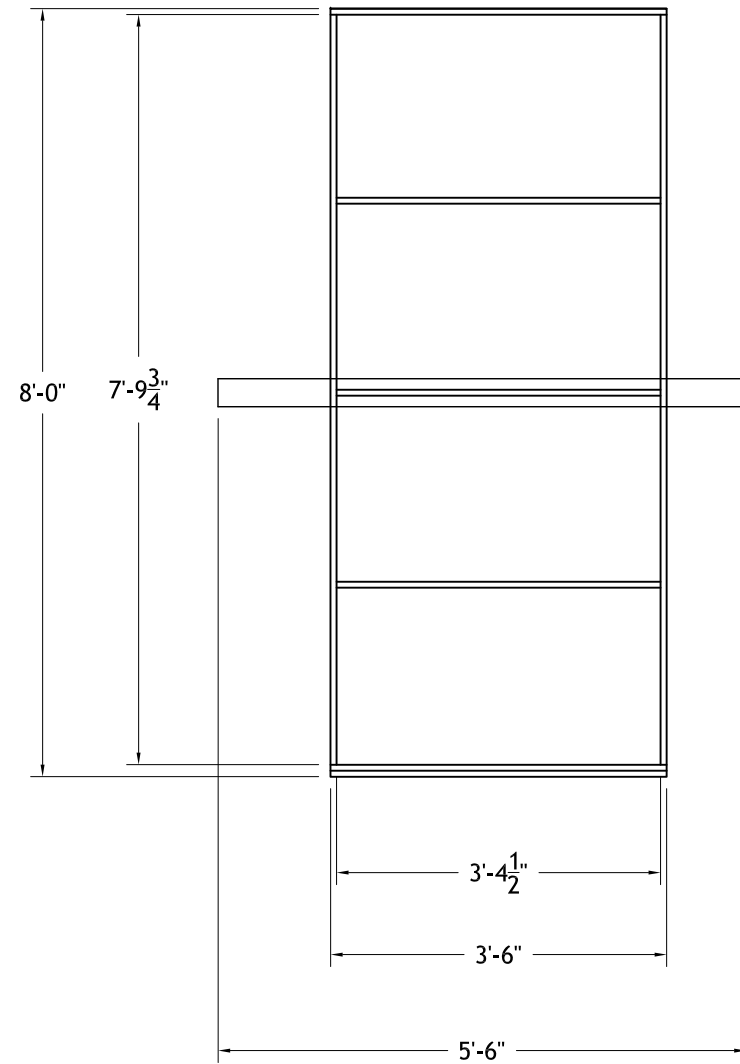
DSR TREE PORTAL FRAMES

DATE: 01.01.12 VERSION: 8
 DIRECTOR: BEN STONER SCALE: 1/2" = 1'-0"
 DESIGNER: NICK QUINN DWG BY: NQ

TP5



1 SR TOP
 T27 SCALE: 1/2" = 1'-0" BUILD 1

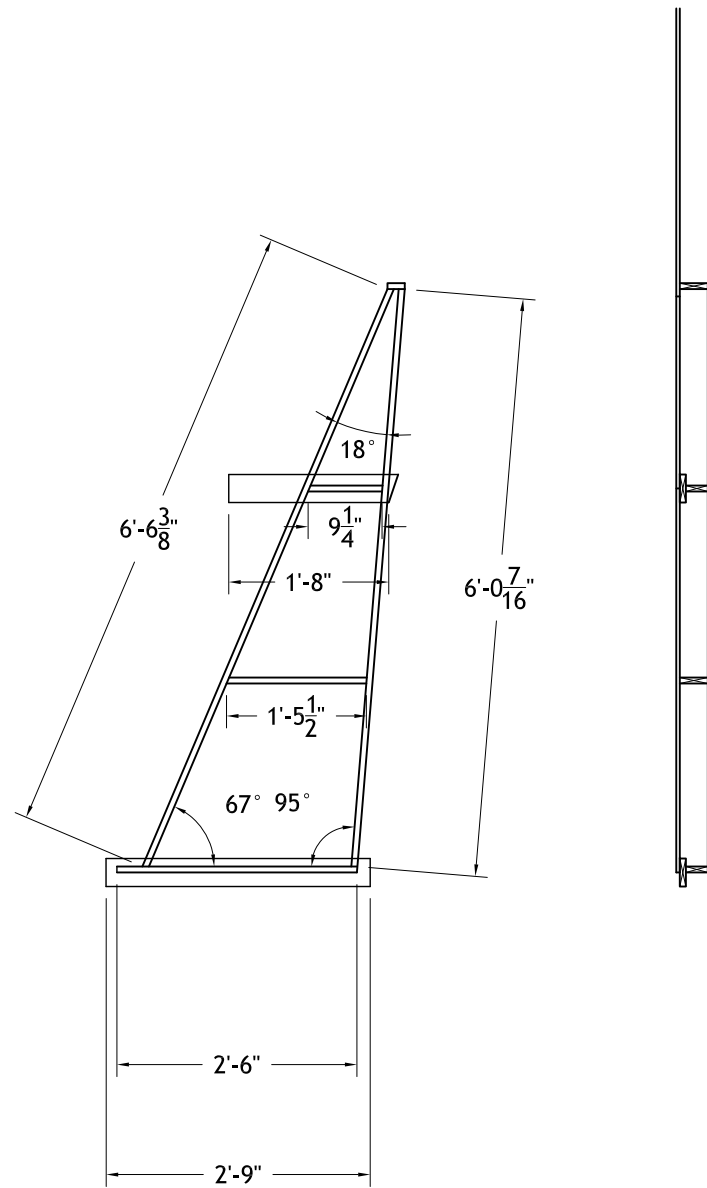


2 SR BOTTOM
 T27 SCALE: 1/2" = 1'-0" BUILD 1

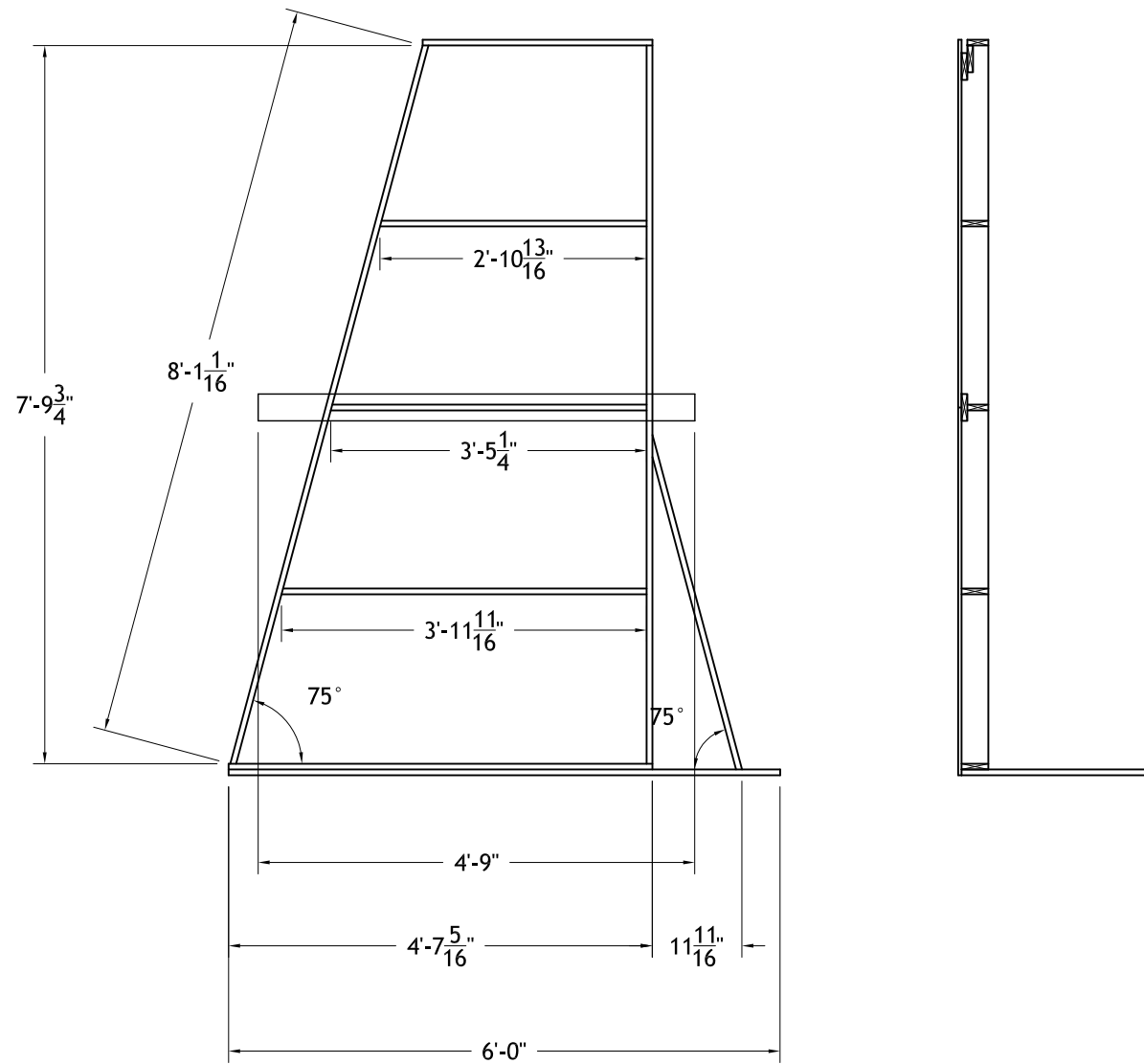
IHSTF 2012 ALL STATE
 ALMOST, MAINE
 BRADEN AUDITORIUM

SR TREE PORTAL FRAMES

DATE: 01.01.12 VERSION: 8
 DIRECTOR: BEN STONER SCALE: 1/2" = 1'-0"
 DESIGNER: NICK QUINN DWG BY: NQ



1 USR TOP
 T28 SCALE: 1/2" = 1'-0" BUILD 1



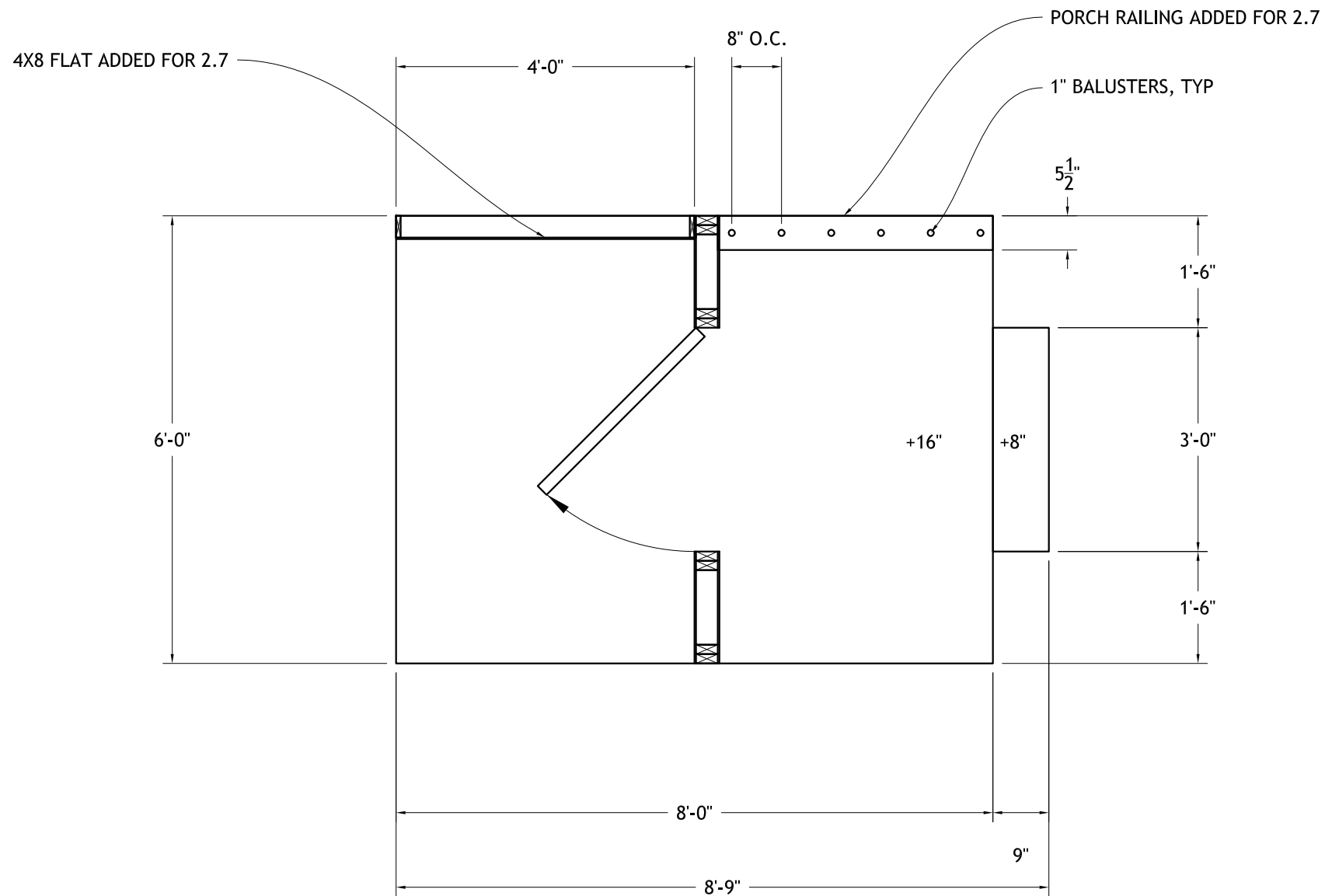
2 USR BOTTOM
 T28 SCALE: 1/2" = 1'-0" BUILD 1

IHSTF 2012 ALL STATE
 ALMOST, MAINE
 BRADEN AUDITORIUM

USR TREE PORTAL FRAMES

DATE: 01.01.12 VERSION: 8
 DIRECTOR: BEN STONER SCALE: 1/2" = 1'-0"
 DESIGNER: NICK QUINN DWG BY: NQ

TP7



PLAN VIEW

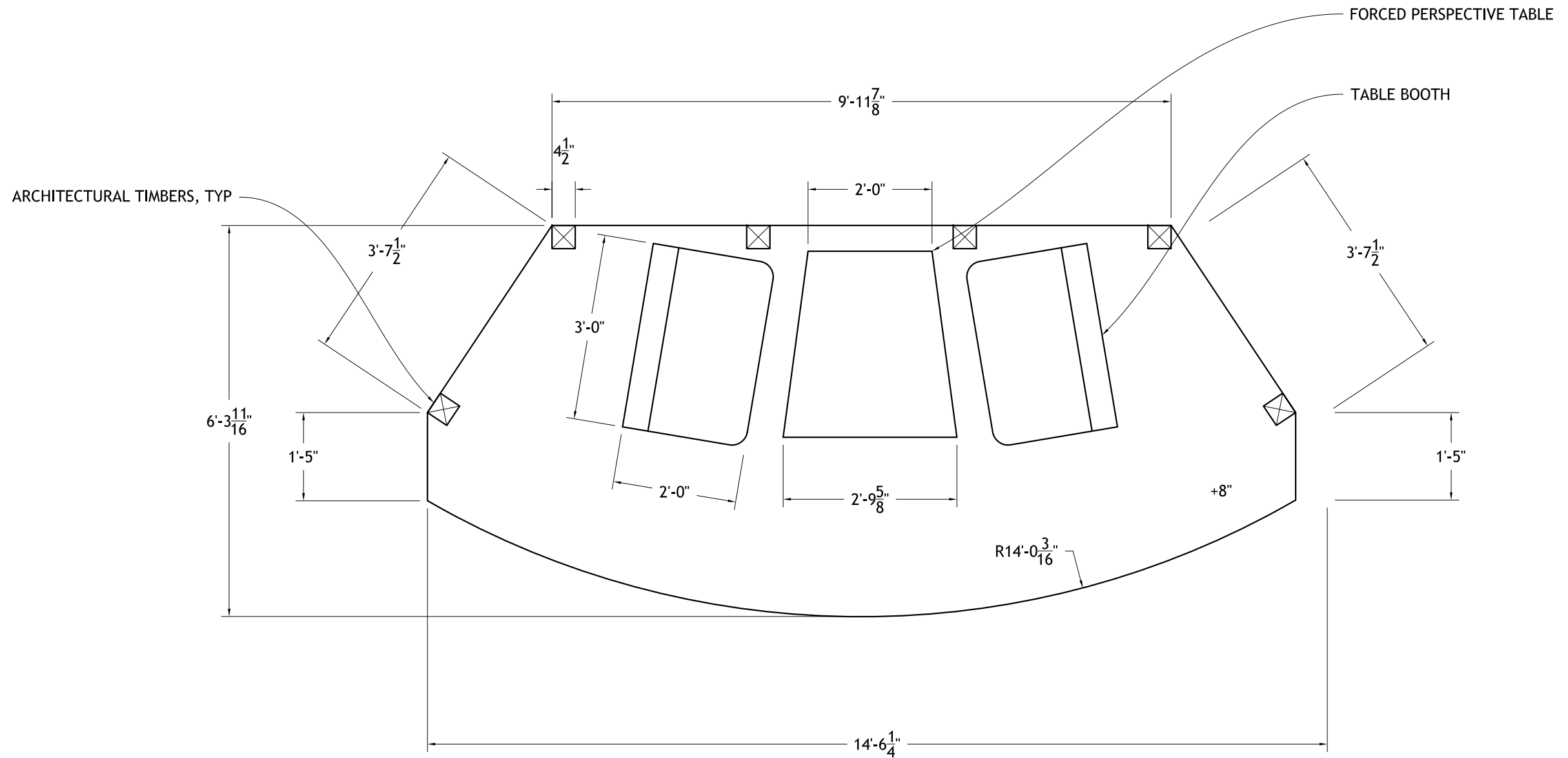
1 1.1 PORCH WITH 2.7 DRESSING
T31 SCALE: 1/2" = 1'-0" BUILD 1

IHSTF 2012 ALL STATE
 ALMOST, MAINE
 BRADEN AUDITORIUM

1.1 PORCH COMPOSITE

DATE: 01.01.12	VERSION: 8
DIRECTOR: BEN STONER	SCALE: 1/2" = 1'-0"
DESIGNER: NICK QUINN	DWG BY: NQ





PLAN VIEW

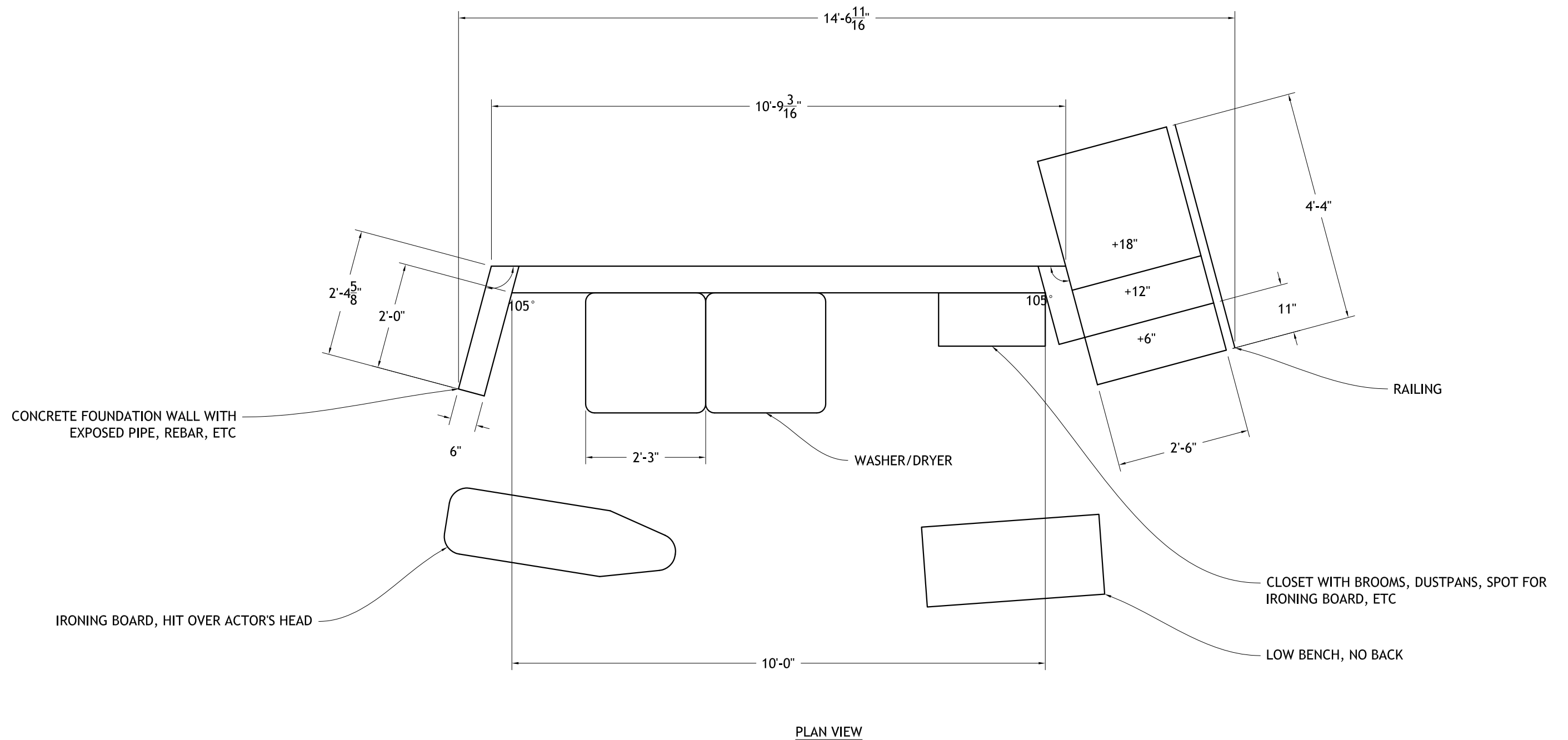
1 1.2 MOOSEPADDY
 T32 SCALE: 1/2" = 1'-0" BUILD 1

IHSTF 2012 ALL STATE
 ALMOST, MAINE
 BRADEN AUDITORIUM

1.2 MOOSE PADDY COMPOSITE

DATE: 01.01.12 VERSION: 8
 DIRECTOR: BEN STONER SCALE: 1/2" = 1'-0"
 DESIGNER: NICK QUINN DWG BY: NQ





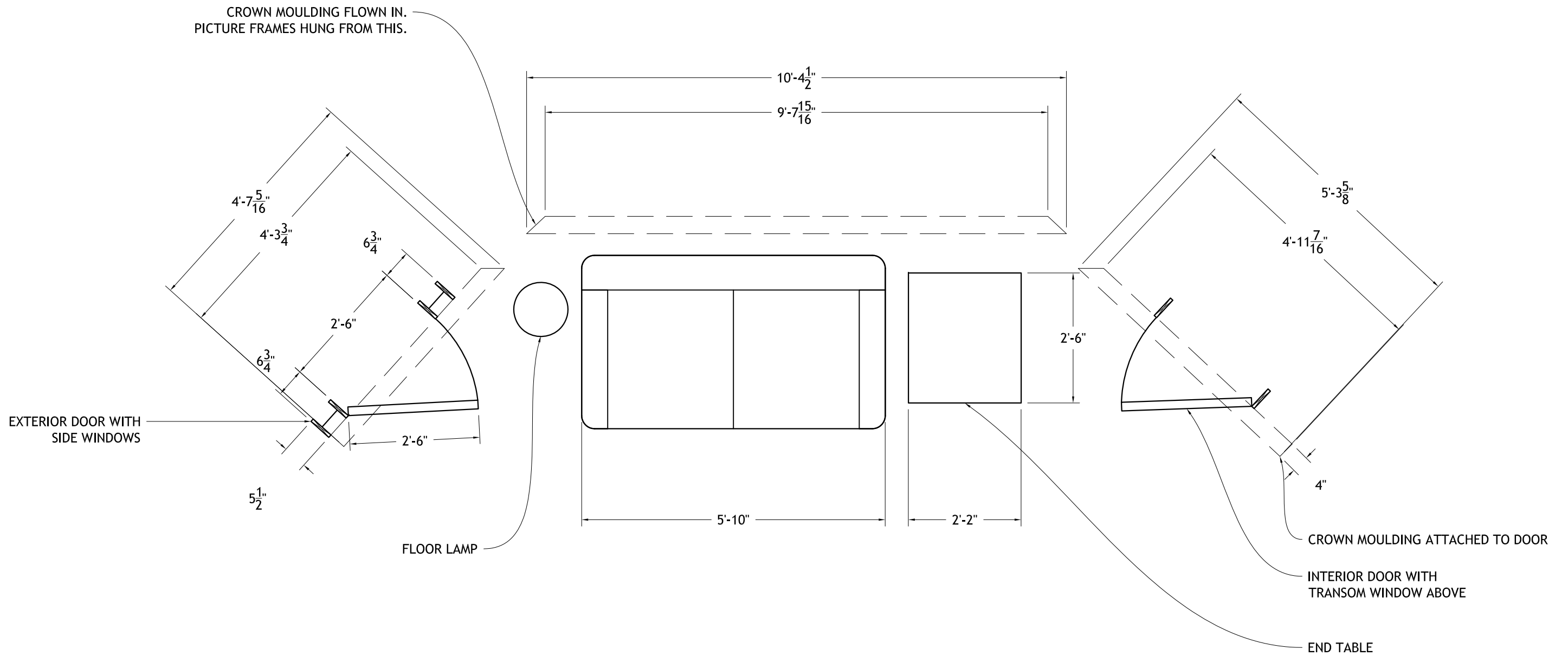
1
 T33 1.3 LAUNDRY ROOM
 SCALE: 1/2" = 1'-0" BUILD 1

IHSTF 2012 ALL STATE
 ALMOST, MAINE
 BRADEN AUDITORIUM

1.3 LAUNDRY ROOM COMPOSITE

DATE: 01.01.12	VERSION: 8
DIRECTOR: BEN STONER	SCALE: 1/2" = 1'-0"
DESIGNER: NICK QUINN	DWG BY: NQ





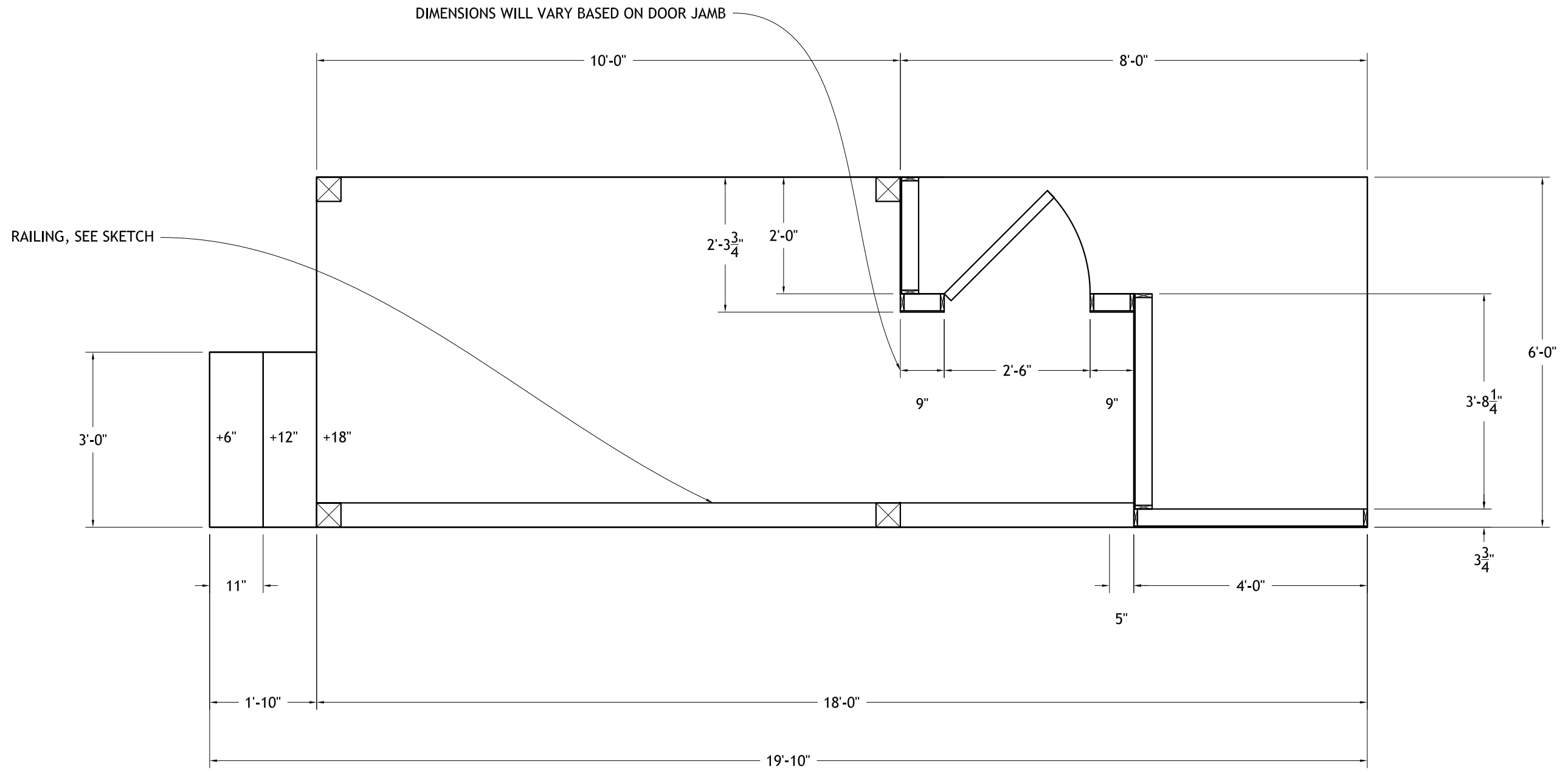
PLAN VIEW

1 1.4 LIVING ROOM
 T34 SCALE: 1/2" = 1'-0" BUILD 1

IHSTF 2012 ALL STATE
 ALMOST, MAINE
 BRADEN AUDITORIUM

1.4 LIVING ROOM COMPOSITE

DATE: 01.01.12 VERSION: 8
 DIRECTOR: BEN STONER SCALE: 1/2" = 1'-0"
 DESIGNER: NICK QUINN DWG BY: NQ



PLAN VIEW

1 2.8 WINTERIZED PORCH
 T35 SCALE: 1/2" = 1'-0" BUILD 1

IHSTF 2012 ALL STATE
 ALMOST, MAINE
 BRADEN AUDITORIUM

2.8 HOUSE UNIT COMPOSITE
 DATE: 01.01.12 VERSION: 8
 DIRECTOR: BEN STONER SCALE: 1/2" = 1'-0"
 DESIGNER: NICK QUINN DWG BY: NQ

