





Don & Betty Nees
Restored 2000



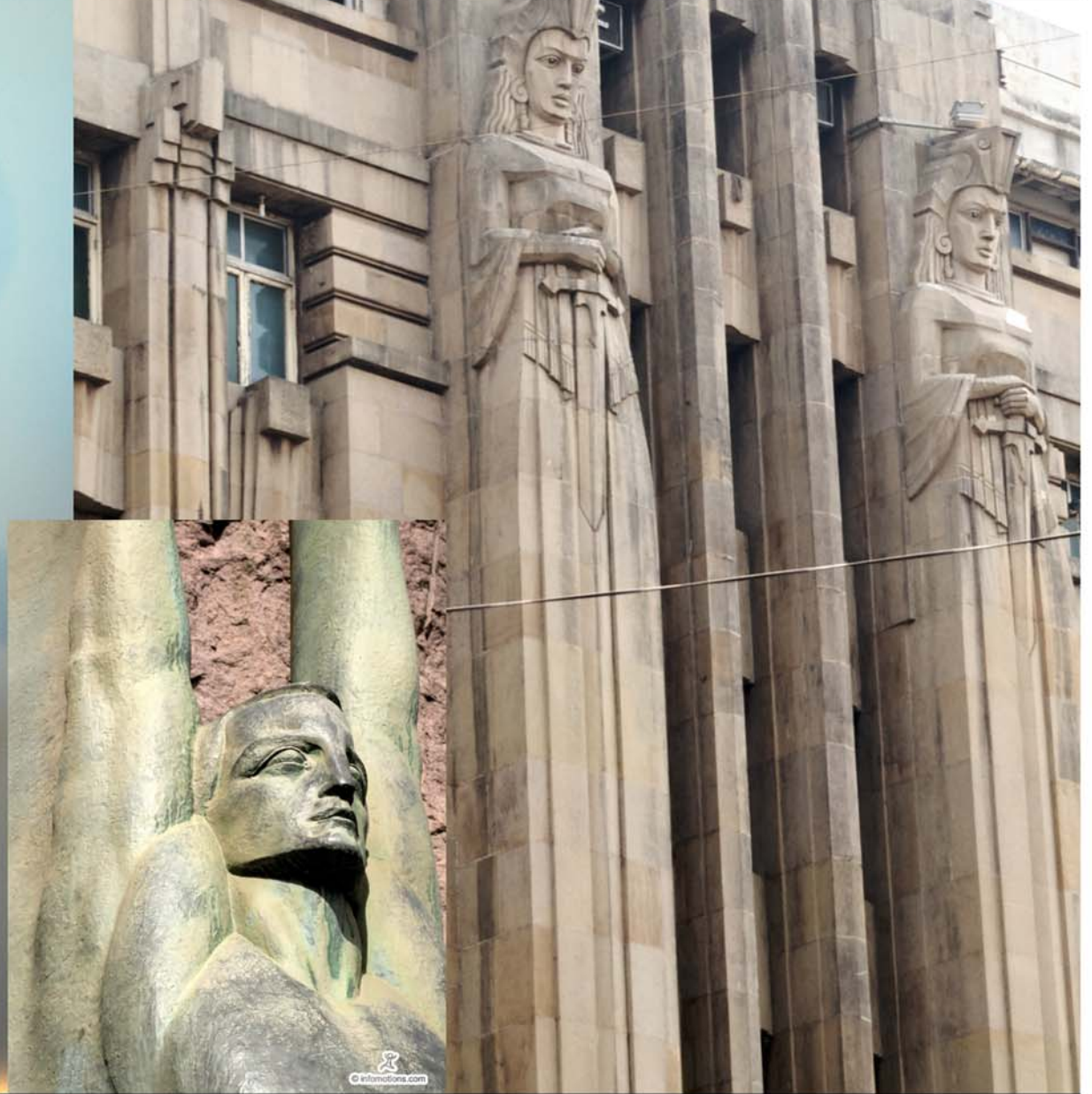




THE WIZARD OF OZ | CLSHS | MUNCHKIN LAND FOLIAGE RESEARCH | 11.17.10











CLSHS | *THE WIZARD OF OZ* | ACT 1 SCENE 1 | DIR: B. STONER | DES: N. QUINN | 01.03.11



CLSHS | *THE WIZARD OF OZ* | ACT 1 SCENE 6 | DIR: B. STONER | DES: N. QUINN | 01.03.11



CLSHS | *THE WIZARD OF OZ* | ACT 1 SCENE 7 | DIR: B. STONER | DES: N. QUINN | 01.03.11



CLSHS | *THE WIZARD OF OZ* | ACT 1 SCENE 8 | DIR: B. STONER | DES: N. QUINN | 01.03.11



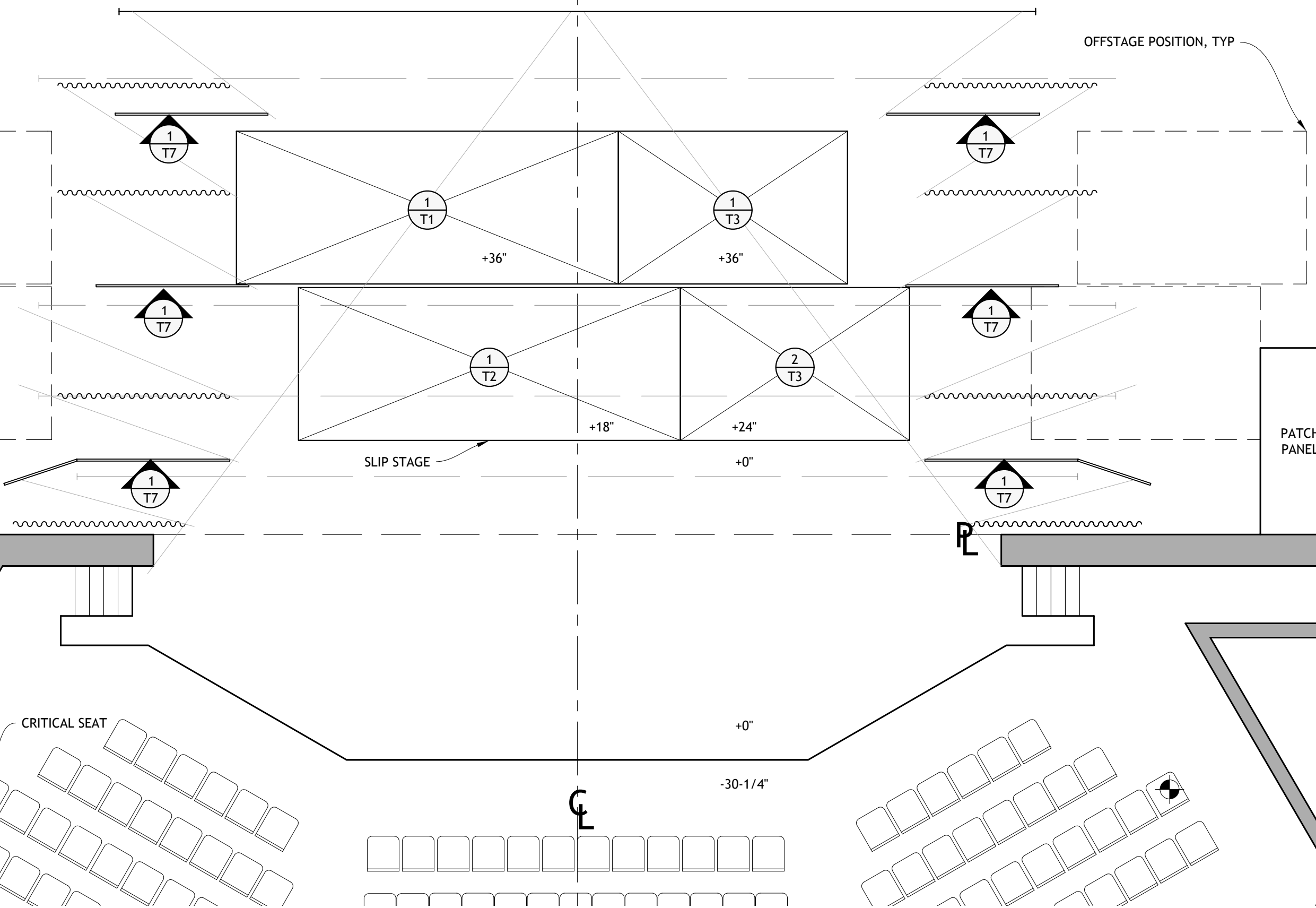
CLSHS | *THE WIZARD OF OZ* | ACT 1 SCENE 10 | DIR: B. STONER | DES: N. QUINN | 01.03.11



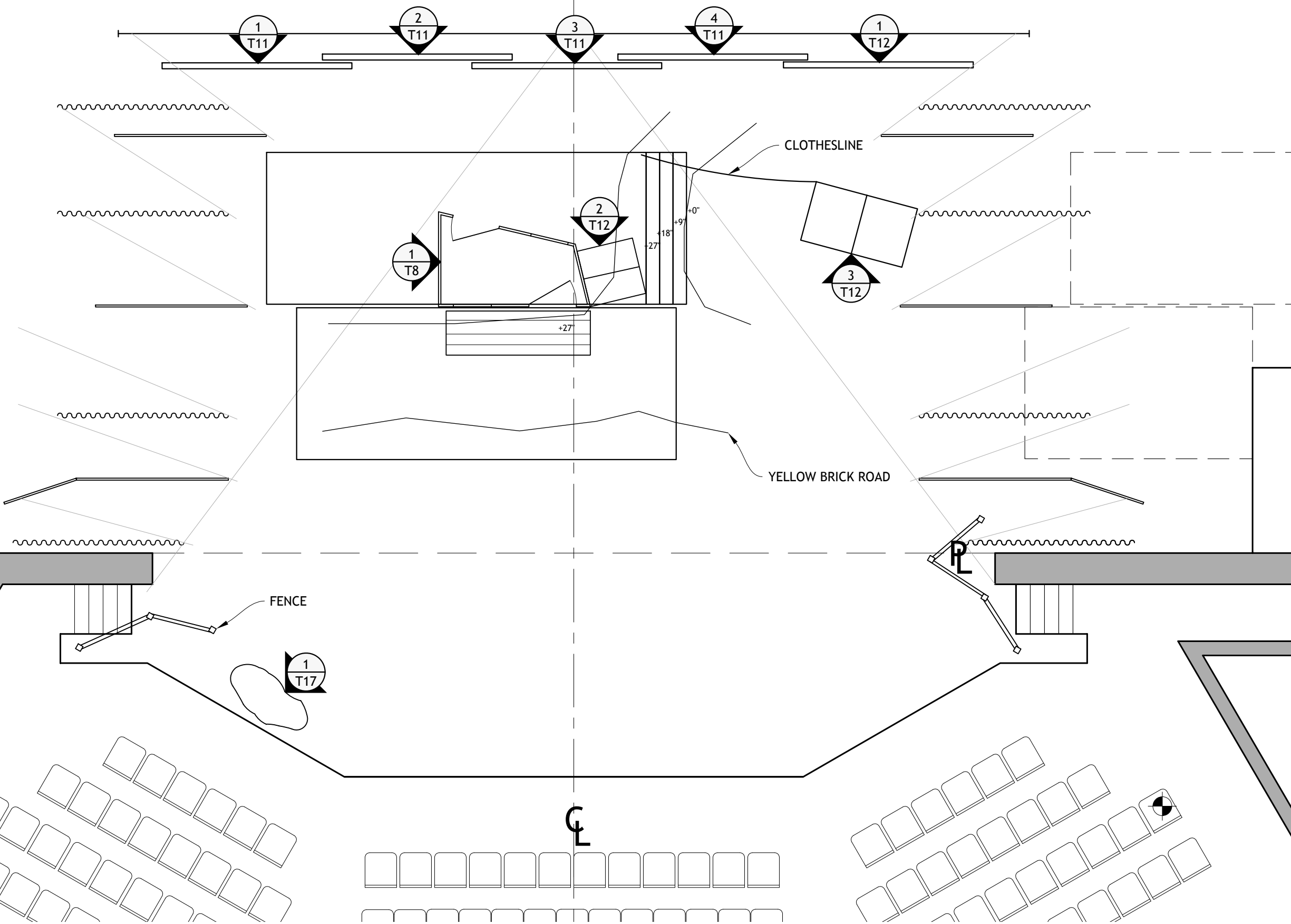
CLSHS | *THE WIZARD OF OZ* | ACT 1 SCENE 12 | DIR: B. STONER | DES: N. QUINN | 01.03.11

PLATE	UNITS	PLATE	UNITS
GP1	PRIMARY GROUND PLAN	T18	WILD FOREST TREE TOPS
GP2	SCENES 1.1 - 1.3 KANSAS	T19	WILD FOREST TREE TOPS
GP3	SCENE 1.4 MARVEL'S CARAVAN	T20	EMERALD CITY STAIRS
GP4	SCENE 1.6 MUNCHKIN LAND	T21	EMERALD CITY WALL ELEVATIONS
GP5	SCENES 1.8 - 1.9 SCARECROW	T22	EMERALD CITY WALL COMPOSITE
GP6	SCENES 1.10 - 1.11 TINMAN'S COTTAGE	T23	EMERALD CITY WALL COMPONENTS
GP7	SCENE 1.12 WILD FOREST	T24	EMERALD CITY WALLS DETAILS
GP8	SCENE 1.13 POPPIES	T25	WIZARD CHAMBER UNIT
GP9	SCENE 2.1 EMERALD CITY GATES	T26	WIZARD CHAMBER UNIT COMPONENTS
GP10	SCENE 2.2 EMERALD CITY TOWN SQUARE	T27	WITCH HAUNTED FOREST UNITS
GP11	SCENE 2.3 WIZARD'S CHAMBER	T28	WITCH HAUNTED FOREST UNITS
GP12	SCENES 2.5 - 2.7 HAUNTED FOREST	T29	WITCH HAUNTED FOREST UNITS
GP13	SCENES 2.8 - 2.10 WITCH'S CASTLE	T30	WIZARD BASKET
CLS	CENTERLINE SECTION		
T1	USR SLIP STAGE COMPOSITE		
T2	DSR SLIP STAGE COMPOSITE		
T3	SL SLIP STAGES COMPOSITE		
T4	SLIP STAGES STUDWALLS		
T5	SLIP STAGES DETAILS		
T6	SLIP STAGE TRAP PLATFORMS		
T7	HARD TORMS		
T8	KANSAS FARM HOUSE ELEVATIONS		
T9	KANSAS FARM HOUSE FLATS		
T10	KANSAS FARM HOUSE COMPONENTS		
T11	KANSAS POPPY FIELD GROUND ROW		
T12	KANSAS FARM UNITS		
T13	WAGON CARAVAN		
T14	MUNCHKIN LAND HOUSES D, C, B		
T15	MUNCHKIN LAND HOUSES A, E, F		
T16	MUNCHKIN LAND HOUSES H, G, J		
T17	ROCKS AND BOULDERS		

- 25 CYC BOTTOM PIPE _____
- 24 CYC TOP PIPE _____
- 23 5TH ELECTRIC _____
- 22 TRAVELER _____
- 21 _____
- 20 HARD TORM _____
- 19 BORDER _____
- 18 SHARDS _____
- 17 TREE TOPS _____
- 16 4TH ELECTRIC _____
- 15 LEGS _____
- 14 OPEN FOR FLY _____
- 13 OPEN FOR FLY _____
- 12 HARD TORM | SCREEN _____
- 11 BORDER _____
- 10 3RD ELECTRIC _____
- 9 OPEN FOR FLY _____
- 8 OPEN FOR FLY _____
- 7 OPEN FOR FLY _____
- 6 LEGS AND BORDER _____
- 5 TREE TOPS / SHARDS _____
- 4 SCRIM TRACK _____
- 3 2ND ELEC | HARD TORM _____
- 2 1ST ELECTRIC _____
- 1 TEASER _____



- 25. CYC BOTTOM PIPE _____
- 24. CYC TOP PIPE _____
- 23. 5TH ELECTRIC _____
- 22. TRAVELER _____
- 21. _____
- 20. HARD TORM _____
- 19. BORDER _____
- 18. SHARDS _____
- 17. TREE TOPS _____
- 16. 4TH ELECTRIC _____
- 15. LEGS _____
- 14. OPEN FOR FLY _____
- 13. OPEN FOR FLY _____
- 12. HARD TORM | SCREEN _____
- 11. BORDER _____
- 10. 3RD ELECTRIC _____
- 9. OPEN FOR FLY _____
- 8. OPEN FOR FLY _____
- 7. OPEN FOR FLY _____
- 6. LEGS AND BORDER _____
- 5. TREE TOPS / SHARDS _____
- 4. SCRIM TRACK _____
- 3. 2ND ELEC | HARD TORM _____
- 2. 1ST ELECTRIC _____
- 1. TEASER _____

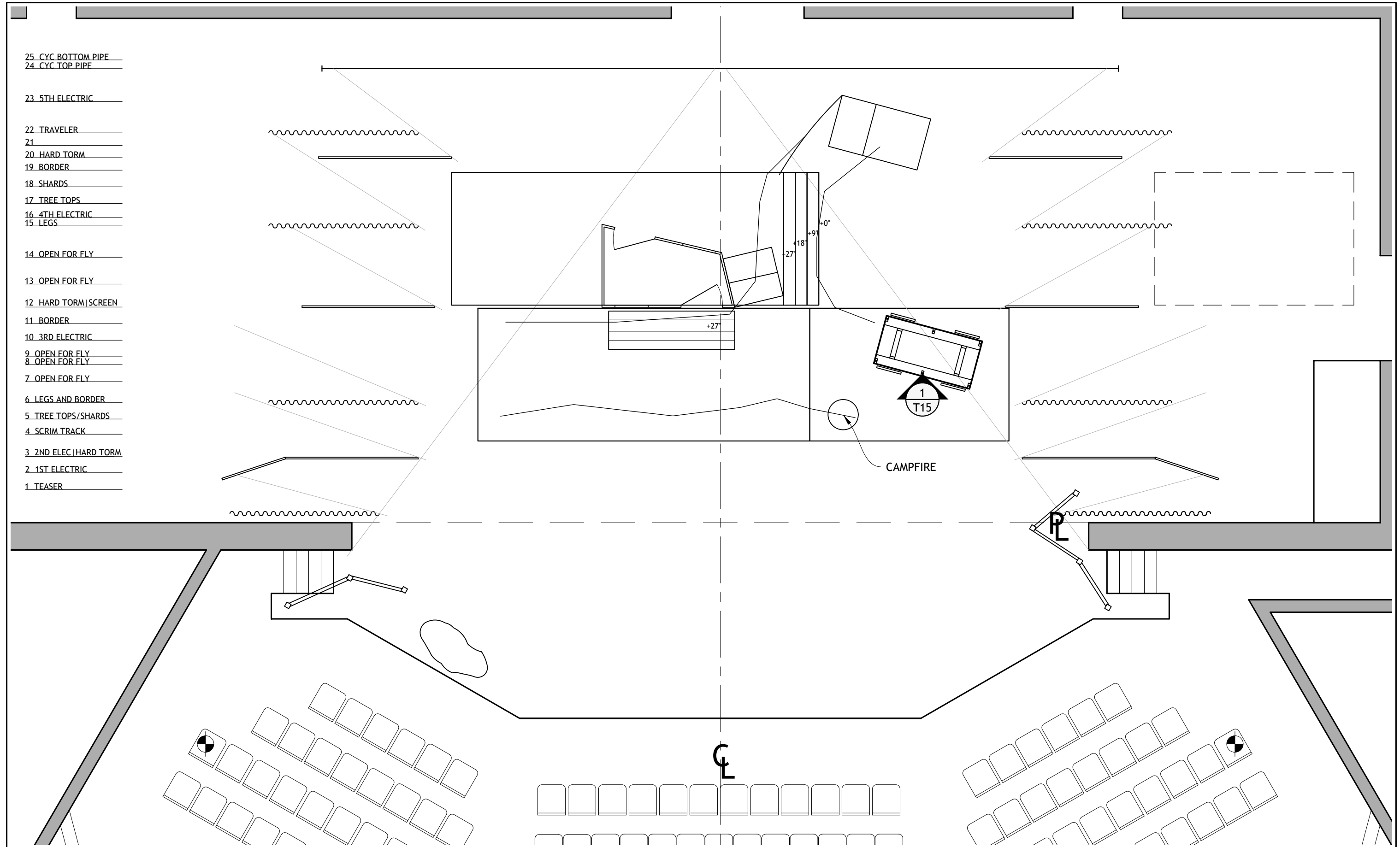


- 25. CYC BOTTOM PIPE _____
- 24. CYC TOP PIPE _____

- 23. 5TH ELECTRIC _____

- 22. TRAVELER _____
- 21. _____
- 20. HARD TORM _____
- 19. BORDER _____
- 18. SHARDS _____
- 17. TREE TOPS _____
- 16. 4TH ELECTRIC _____
- 15. LEGS _____

- 14. OPEN FOR FLY _____
- 13. OPEN FOR FLY _____
- 12. HARD TORM | SCREEN _____
- 11. BORDER _____
- 10. 3RD ELECTRIC _____
- 9. OPEN FOR FLY _____
- 8. OPEN FOR FLY _____
- 7. OPEN FOR FLY _____
- 6. LEGS AND BORDER _____
- 5. TREE TOPS / SHARDS _____
- 4. SCRIM TRACK _____
- 3. 2ND ELEC | HARD TORM _____
- 2. 1ST ELECTRIC _____
- 1. TEASER _____

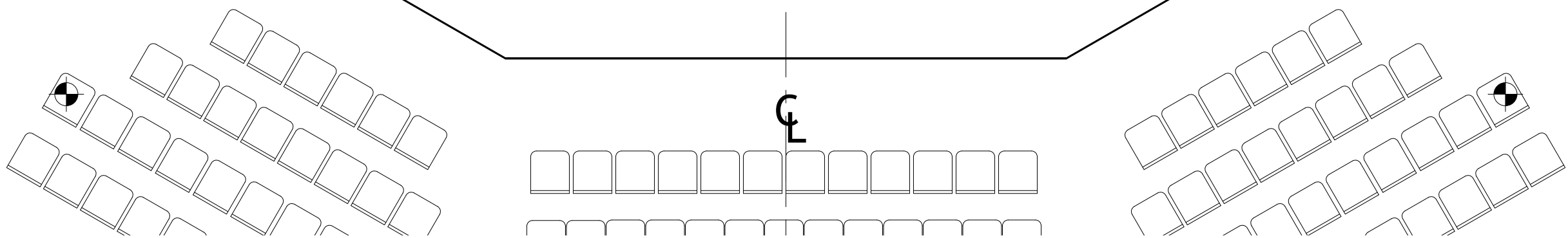
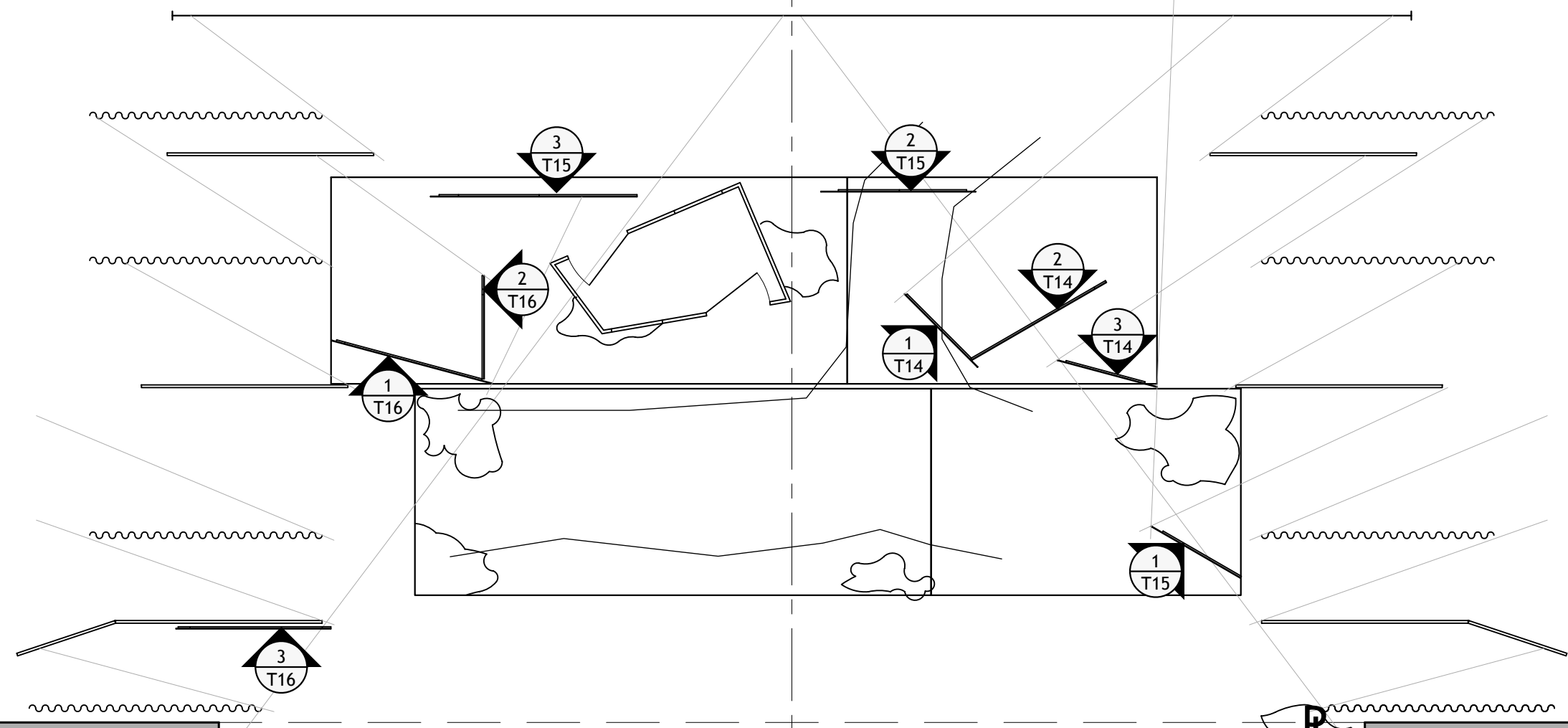


- 25. CYC BOTTOM PIPE _____
- 24. CYC TOP PIPE _____

- 23. 5TH ELECTRIC _____

- 22. TRAVELER _____
- 21. _____
- 20. HARD TORM _____
- 19. BORDER _____
- 18. SHARDS _____
- 17. TREE TOPS _____
- 16. 4TH ELECTRIC _____
- 15. LEGS _____

- 14. OPEN FOR FLY _____
- 13. OPEN FOR FLY _____
- 12. HARD TORM | SCREEN _____
- 11. BORDER _____
- 10. 3RD ELECTRIC _____
- 9. OPEN FOR FLY _____
- 8. OPEN FOR FLY _____
- 7. OPEN FOR FLY _____
- 6. LEGS AND BORDER _____
- 5. TREE TOPS / SHARDS _____
- 4. SCRIM TRACK _____
- 3. 2ND ELEC | HARD TORM _____
- 2. 1ST ELECTRIC _____
- 1. TEASER _____



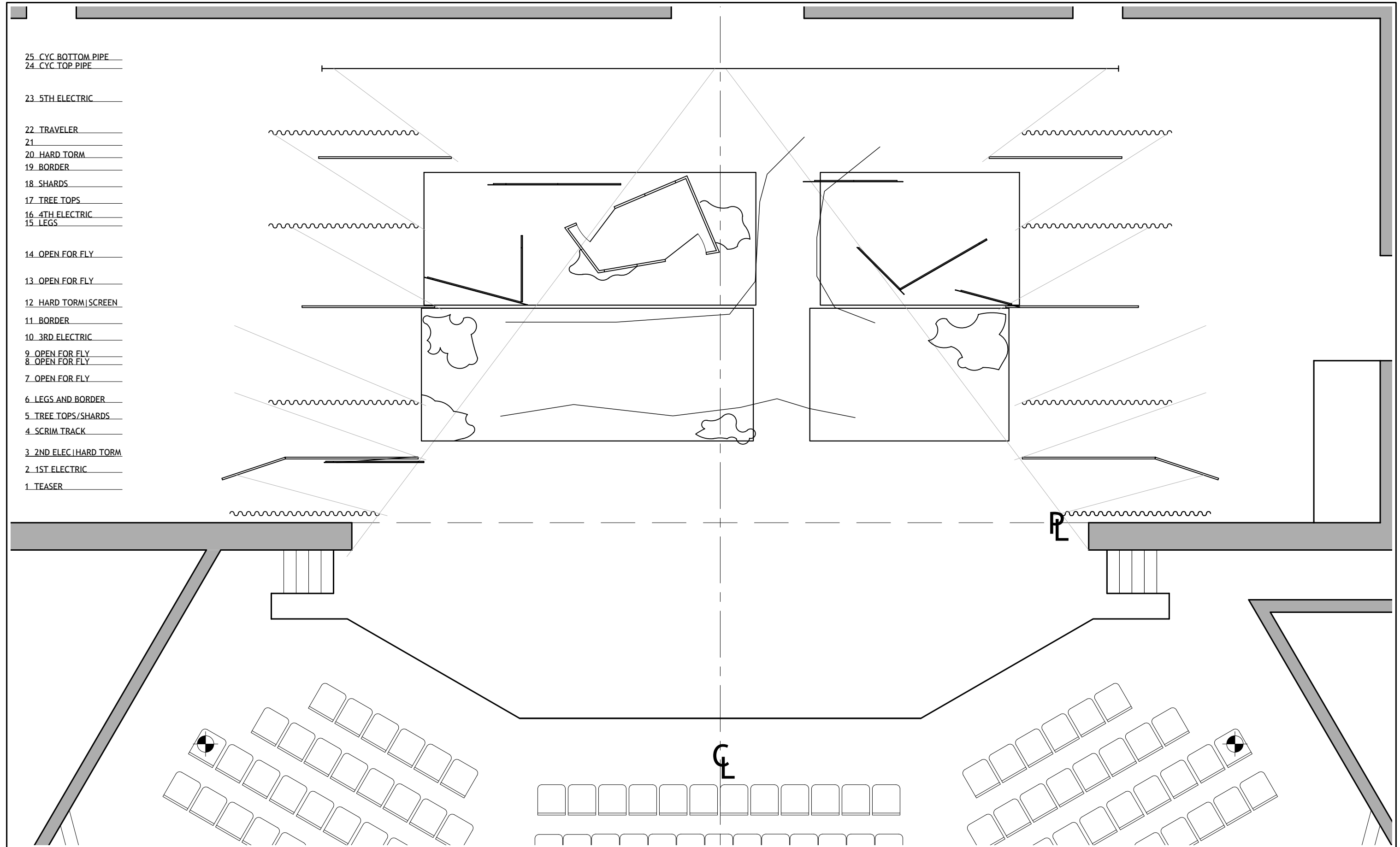
NOTES:

- 25. CYC BOTTOM PIPE _____
- 24. CYC TOP PIPE _____

- 23. 5TH ELECTRIC _____

- 22. TRAVELER _____
- 21. _____
- 20. HARD TORM _____
- 19. BORDER _____
- 18. SHARDS _____
- 17. TREE TOPS _____
- 16. 4TH ELECTRIC _____
- 15. LEGS _____

- 14. OPEN FOR FLY _____
- 13. OPEN FOR FLY _____
- 12. HARD TORM | SCREEN _____
- 11. BORDER _____
- 10. 3RD ELECTRIC _____
- 9. OPEN FOR FLY _____
- 8. OPEN FOR FLY _____
- 7. OPEN FOR FLY _____
- 6. LEGS AND BORDER _____
- 5. TREE TOPS / SHARDS _____
- 4. SCRIM TRACK _____
- 3. 2ND ELEC | HARD TORM _____
- 2. 1ST ELECTRIC _____
- 1. TEASER _____

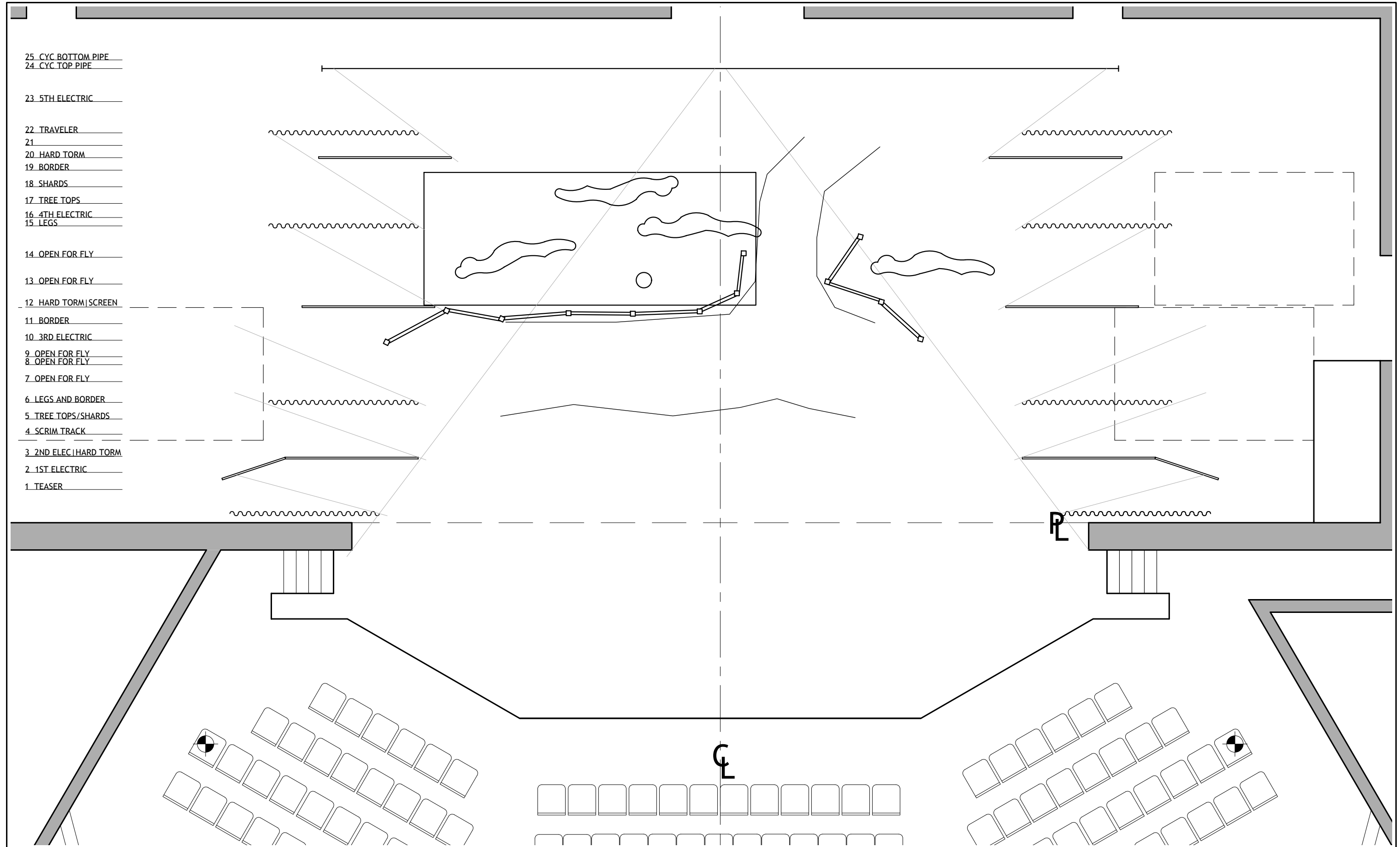


- 25. CYC BOTTOM PIPE _____
- 24. CYC TOP PIPE _____

- 23. 5TH ELECTRIC _____

- 22. TRAVELER _____
- 21. _____
- 20. HARD TORM _____
- 19. BORDER _____
- 18. SHARDS _____
- 17. TREE TOPS _____
- 16. 4TH ELECTRIC _____
- 15. LEGS _____

- 14. OPEN FOR FLY _____
- 13. OPEN FOR FLY _____
- 12. HARD TORM | SCREEN _____
- 11. BORDER _____
- 10. 3RD ELECTRIC _____
- 9. OPEN FOR FLY _____
- 8. OPEN FOR FLY _____
- 7. OPEN FOR FLY _____
- 6. LEGS AND BORDER _____
- 5. TREE TOPS / SHARDS _____
- 4. SCRIM TRACK _____
- 3. 2ND ELEC | HARD TORM _____
- 2. 1ST ELECTRIC _____
- 1. TEASER _____

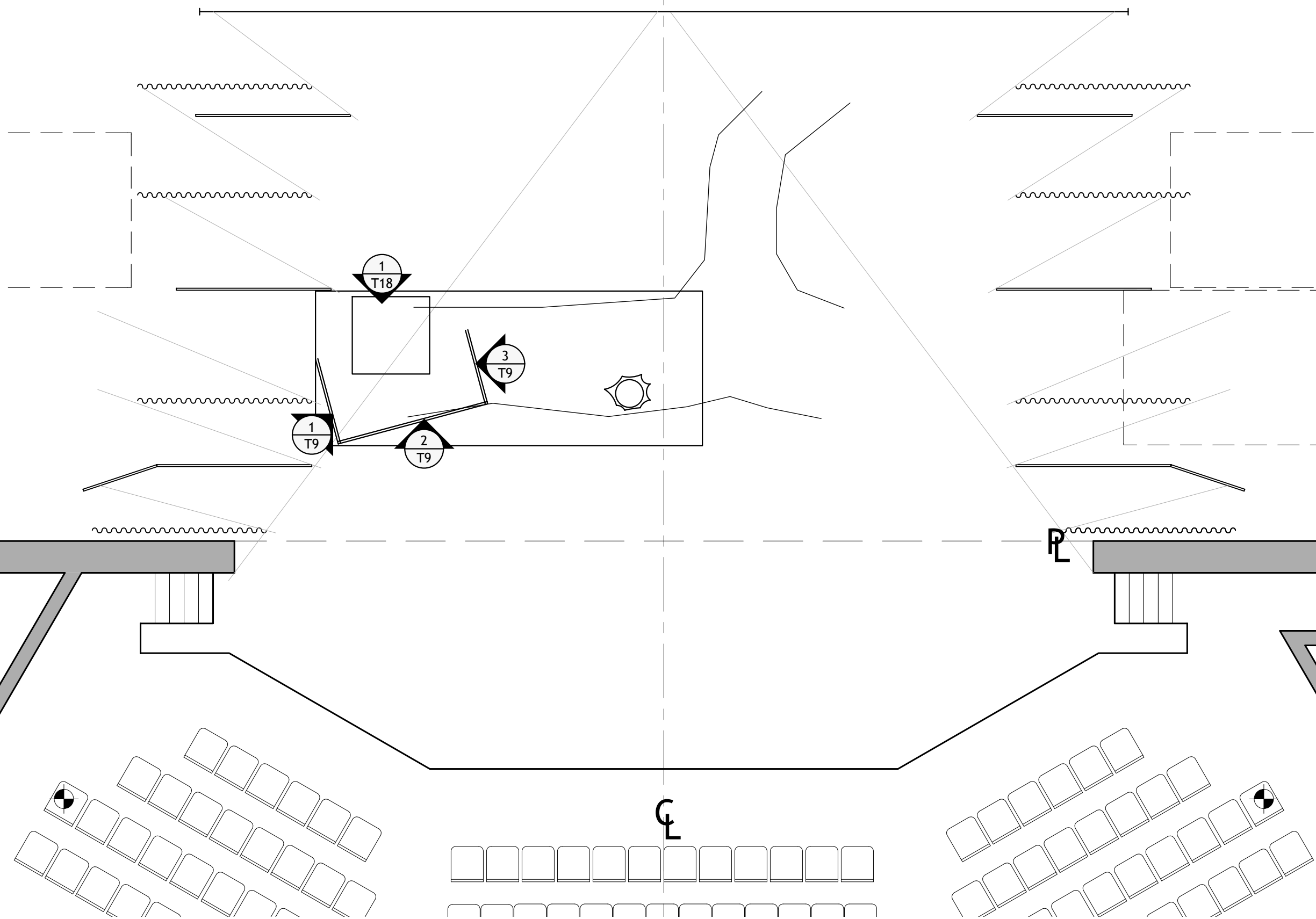


- 25 CYC BOTTOM PIPE _____
- 24 CYC TOP PIPE _____

- 23 5TH ELECTRIC _____

- 22 TRAVELER _____
- 21 _____
- 20 HARD TORM _____
- 19 BORDER _____
- 18 SHARDS _____
- 17 TREE TOPS _____
- 16 4TH ELECTRIC _____
- 15 LEGS _____

- 14 OPEN FOR FLY _____
- 13 OPEN FOR FLY _____
- 12 HARD TORM | SCREEN _____
- 11 BORDER _____
- 10 3RD ELECTRIC _____
- 9 OPEN FOR FLY _____
- 8 OPEN FOR FLY _____
- 7 OPEN FOR FLY _____
- 6 LEGS AND BORDER _____
- 5 TREE TOPS / SHARDS _____
- 4 SCRIM TRACK _____
- 3 2ND ELEC | HARD TORM _____
- 2 1ST ELECTRIC _____
- 1 TEASER _____



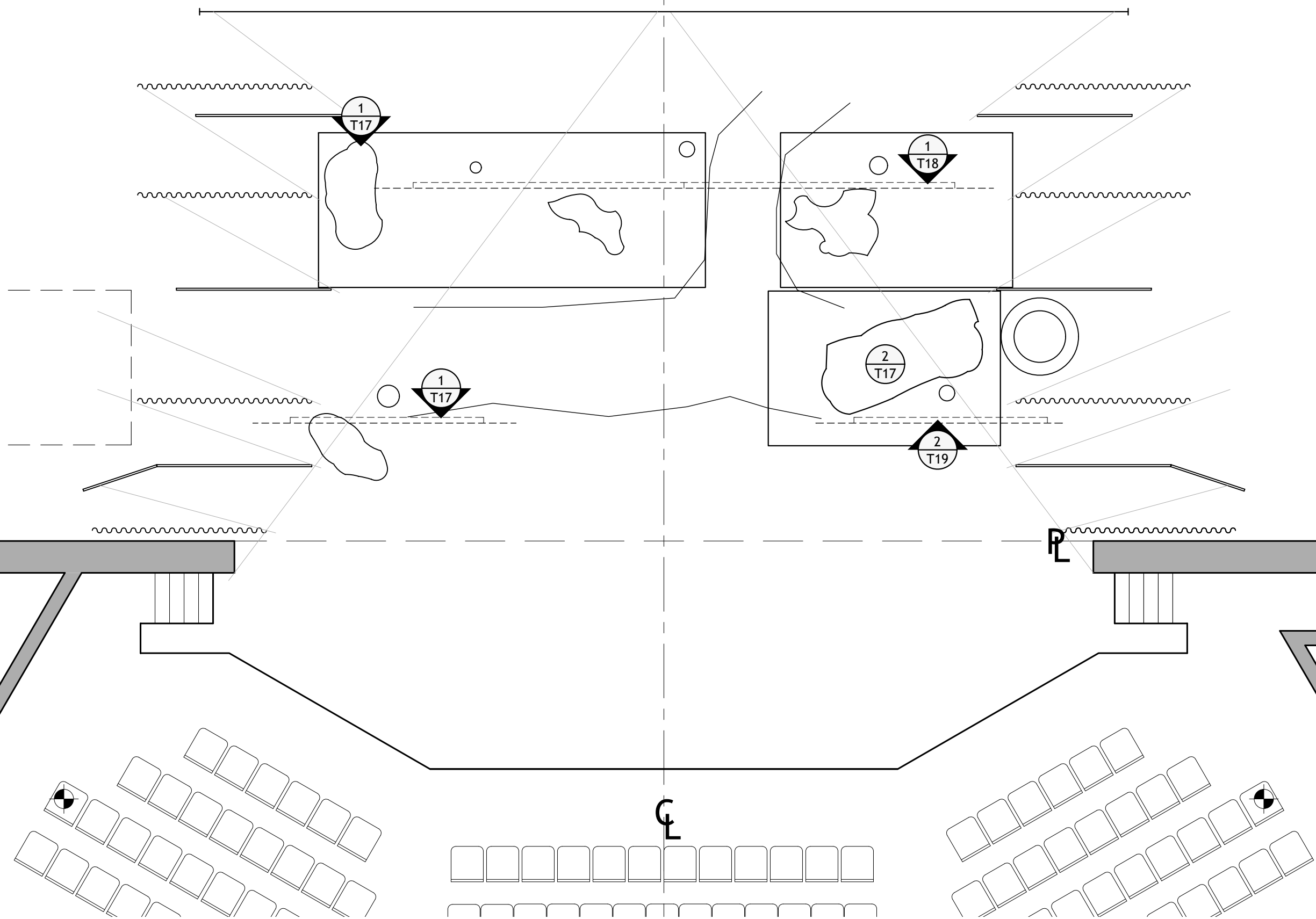
NOTES:

- 25. CYC BOTTOM PIPE _____
- 24. CYC TOP PIPE _____

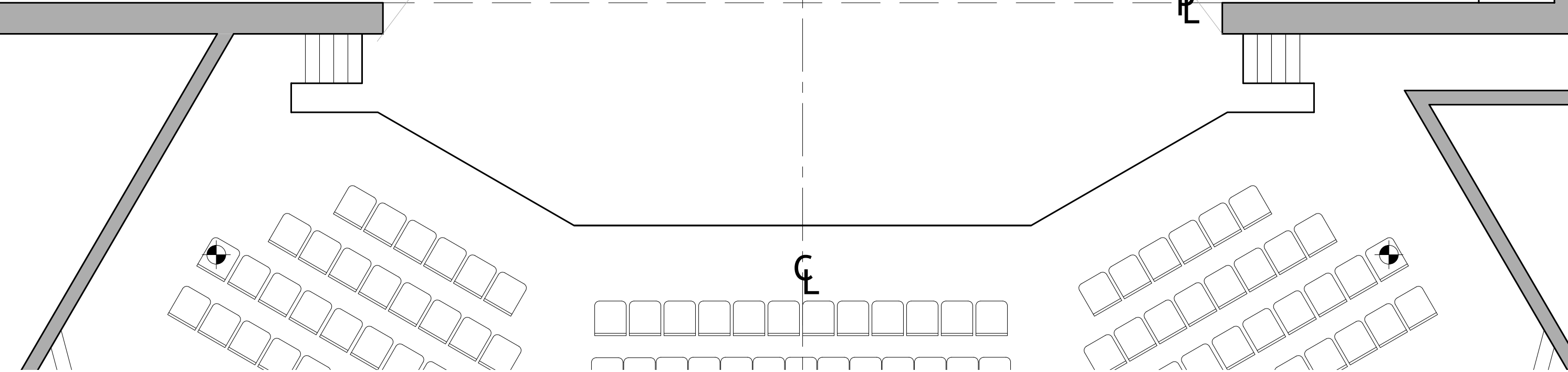
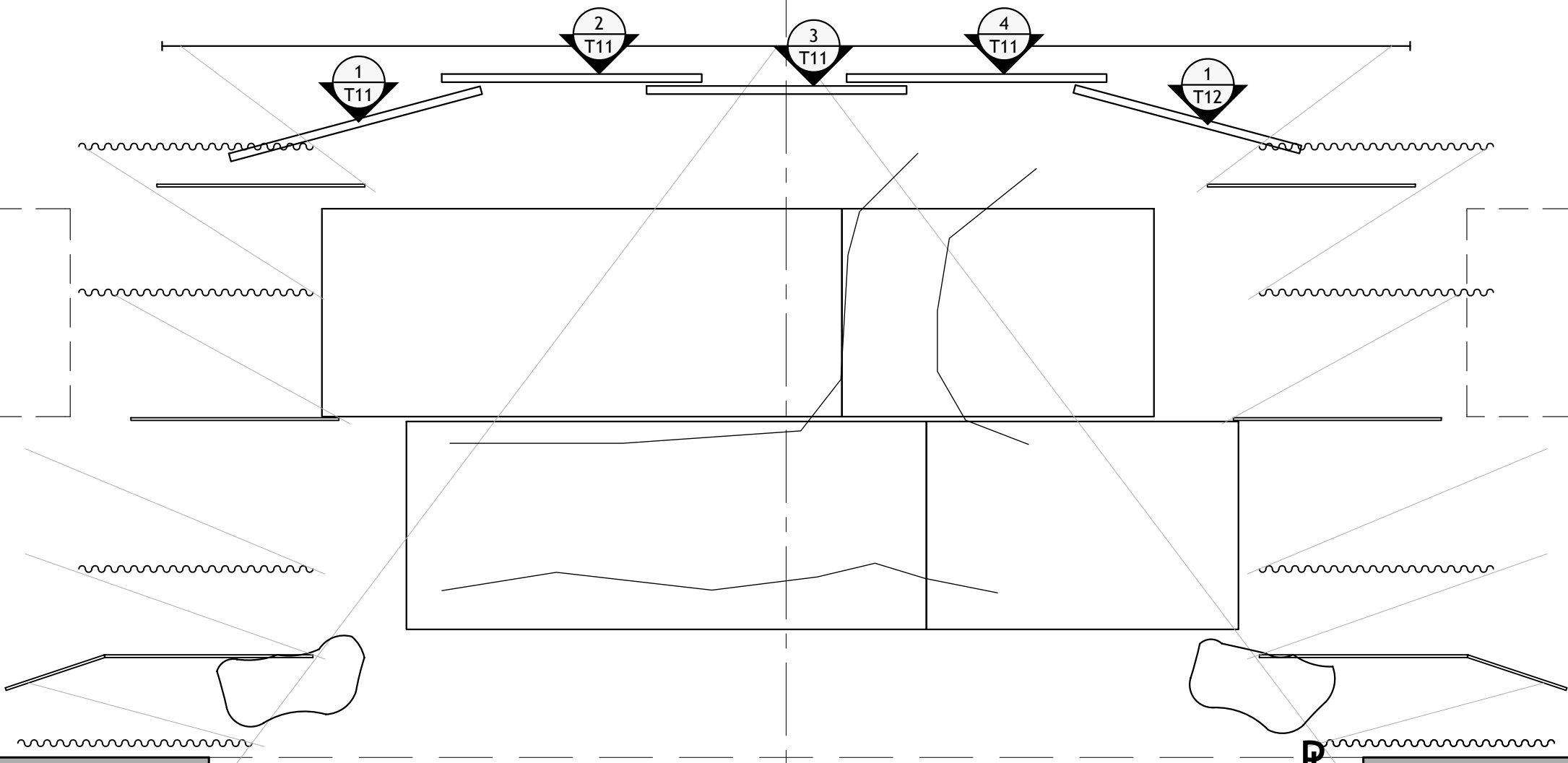
- 23. 5TH ELECTRIC _____

- 22. TRAVELER _____
- 21. _____
- 20. HARD TORM _____
- 19. BORDER _____
- 18. SHARDS _____
- 17. TREE TOPS _____
- 16. 4TH ELECTRIC _____
- 15. LEGS _____

- 14. OPEN FOR FLY _____
- 13. OPEN FOR FLY _____
- 12. HARD TORM | SCREEN _____
- 11. BORDER _____
- 10. 3RD ELECTRIC _____
- 9. OPEN FOR FLY _____
- 8. OPEN FOR FLY _____
- 7. OPEN FOR FLY _____
- 6. LEGS AND BORDER _____
- 5. TREE TOPS / SHARDS _____
- 4. SCRIM TRACK _____
- 3. 2ND ELEC | HARD TORM _____
- 2. 1ST ELECTRIC _____
- 1. TEASER _____



- 25. CYC BOTTOM PIPE _____
- 24. CYC TOP PIPE _____
- 23. 5TH ELECTRIC _____
- 22. TRAVELER _____
- 21. _____
- 20. HARD TORM _____
- 19. BORDER _____
- 18. SHARDS _____
- 17. TREE TOPS _____
- 16. 4TH ELECTRIC _____
- 15. LEGS _____
- 14. OPEN FOR FLY _____
- 13. OPEN FOR FLY _____
- 12. HARD TORM | SCREEN _____
- 11. BORDER _____
- 10. 3RD ELECTRIC _____
- 9. OPEN FOR FLY _____
- 8. OPEN FOR FLY _____
- 7. OPEN FOR FLY _____
- 6. LEGS AND BORDER _____
- 5. TREE TOPS / SHARDS _____
- 4. SCRIM TRACK _____
- 3. 2ND ELEC | HARD TORM _____
- 2. 1ST ELECTRIC _____
- 1. TEASER _____



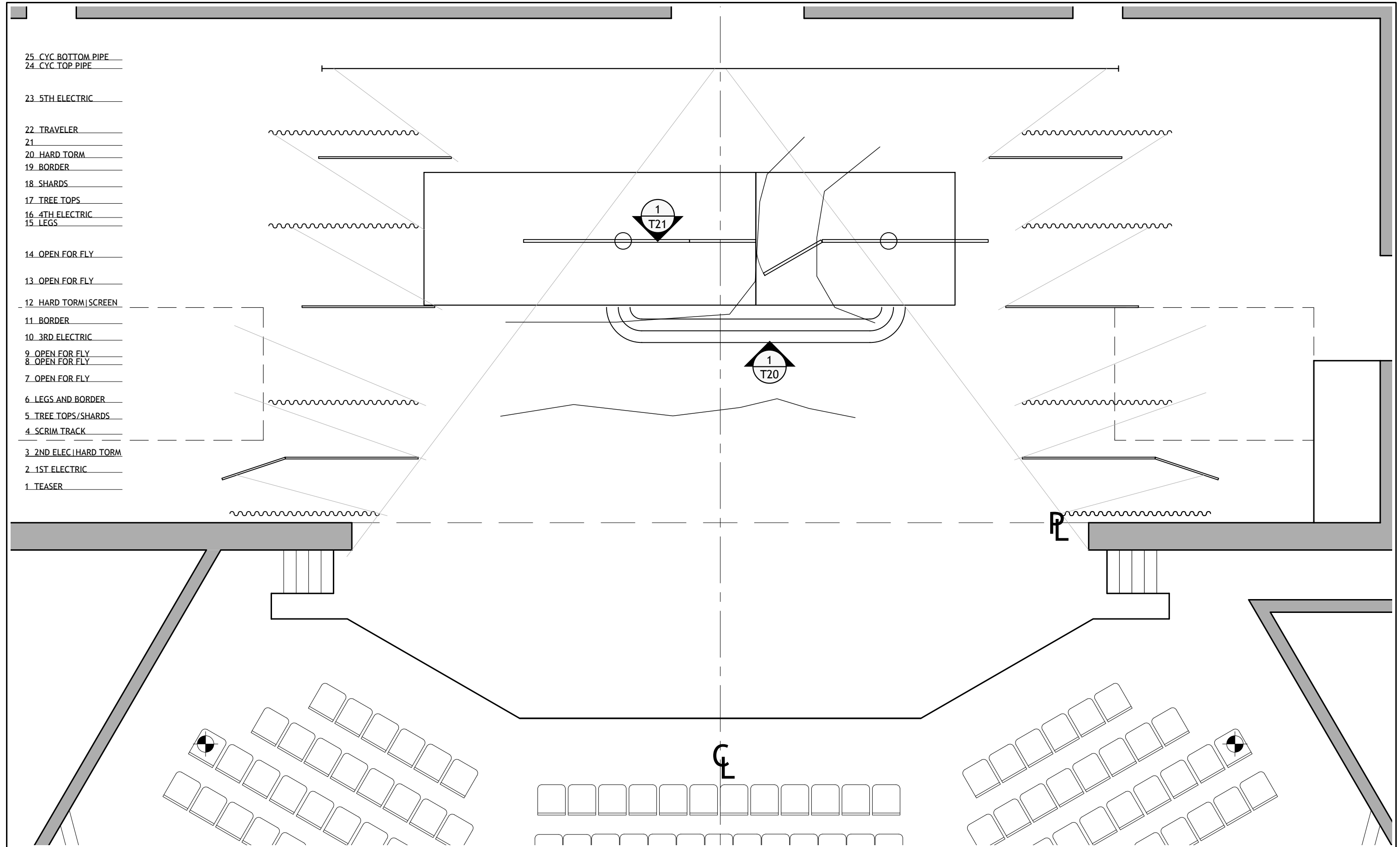
NOTES:

- 25. CYC BOTTOM PIPE _____
- 24. CYC TOP PIPE _____

- 23. 5TH ELECTRIC _____

- 22. TRAVELER _____
- 21. _____
- 20. HARD TORM _____
- 19. BORDER _____
- 18. SHARDS _____
- 17. TREE TOPS _____
- 16. 4TH ELECTRIC _____
- 15. LEGS _____

- 14. OPEN FOR FLY _____
- 13. OPEN FOR FLY _____
- 12. HARD TORM | SCREEN _____
- 11. BORDER _____
- 10. 3RD ELECTRIC _____
- 9. OPEN FOR FLY _____
- 8. OPEN FOR FLY _____
- 7. OPEN FOR FLY _____
- 6. LEGS AND BORDER _____
- 5. TREE TOPS / SHARDS _____
- 4. SCRIM TRACK _____
- 3. 2ND ELEC | HARD TORM _____
- 2. 1ST ELECTRIC _____
- 1. TEASER _____

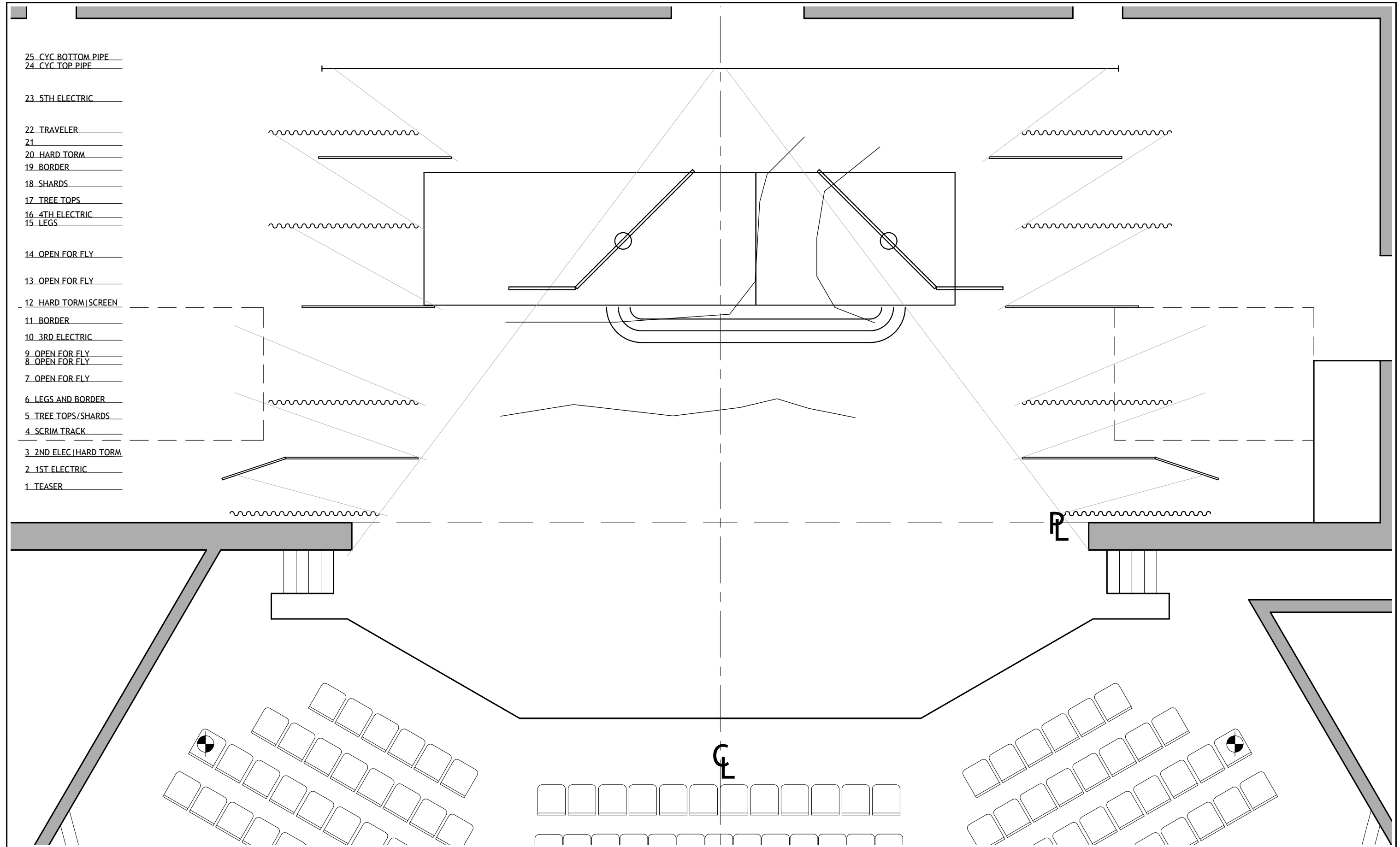


- 25. CYC BOTTOM PIPE _____
- 24. CYC TOP PIPE _____

- 23. 5TH ELECTRIC _____

- 22. TRAVELER _____
- 21. _____
- 20. HARD TORM _____
- 19. BORDER _____
- 18. SHARDS _____
- 17. TREE TOPS _____
- 16. 4TH ELECTRIC _____
- 15. LEGS _____

- 14. OPEN FOR FLY _____
- 13. OPEN FOR FLY _____
- 12. HARD TORM | SCREEN _____
- 11. BORDER _____
- 10. 3RD ELECTRIC _____
- 9. OPEN FOR FLY _____
- 8. OPEN FOR FLY _____
- 7. OPEN FOR FLY _____
- 6. LEGS AND BORDER _____
- 5. TREE TOPS / SHARDS _____
- 4. SCRIM TRACK _____
- 3. 2ND ELEC | HARD TORM _____
- 2. 1ST ELECTRIC _____
- 1. TEASER _____



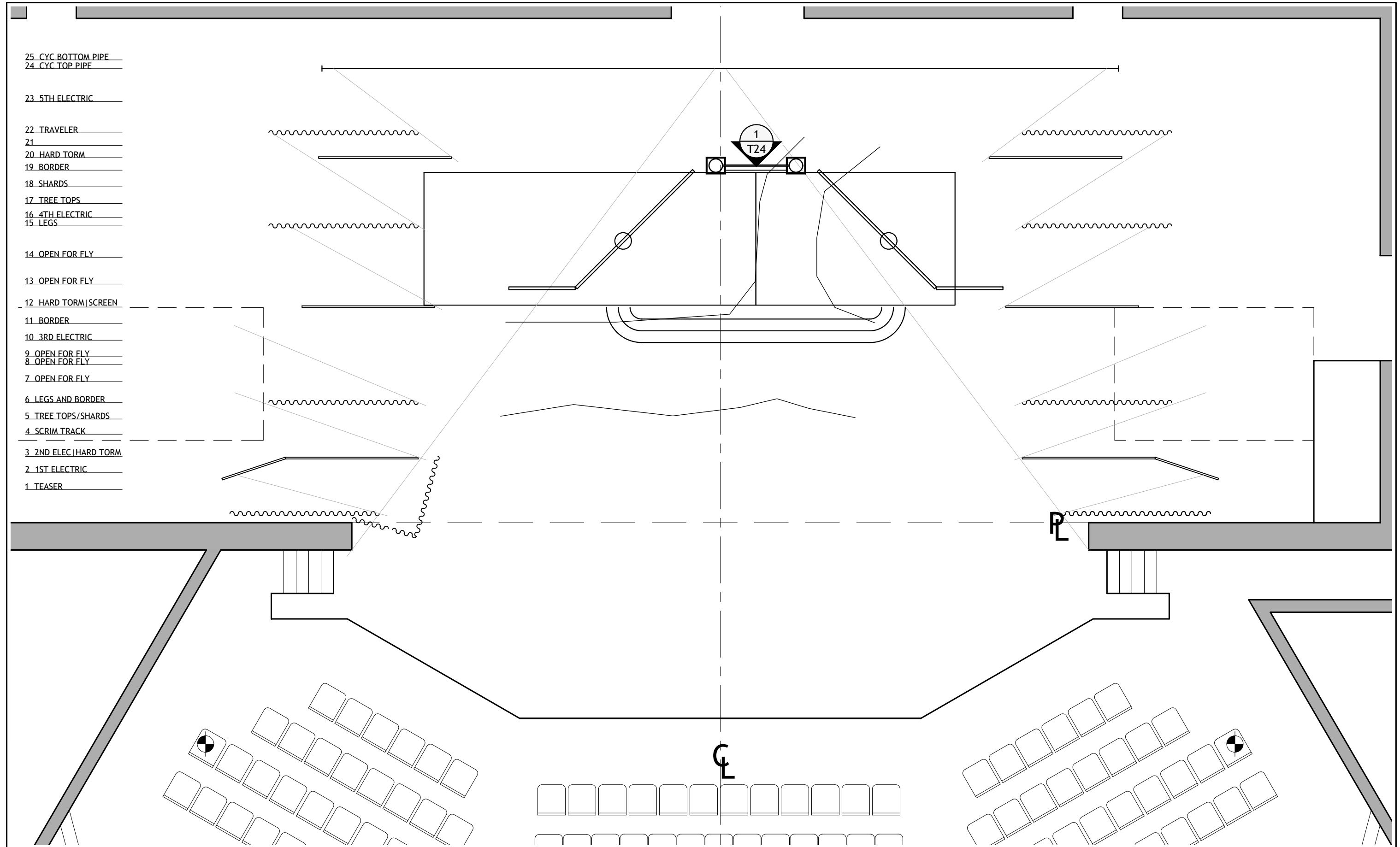
NOTES:

- 25. CYC BOTTOM PIPE _____
- 24. CYC TOP PIPE _____

- 23. 5TH ELECTRIC _____

- 22. TRAVELER _____
- 21. _____
- 20. HARD TORM _____
- 19. BORDER _____
- 18. SHARDS _____
- 17. TREE TOPS _____
- 16. 4TH ELECTRIC _____
- 15. LEGS _____

- 14. OPEN FOR FLY _____
- 13. OPEN FOR FLY _____
- 12. HARD TORM | SCREEN _____
- 11. BORDER _____
- 10. 3RD ELECTRIC _____
- 9. OPEN FOR FLY _____
- 8. OPEN FOR FLY _____
- 7. OPEN FOR FLY _____
- 6. LEGS AND BORDER _____
- 5. TREE TOPS / SHARDS _____
- 4. SCRIM TRACK _____
- 3. 2ND ELEC | HARD TORM _____
- 2. 1ST ELECTRIC _____
- 1. TEASER _____

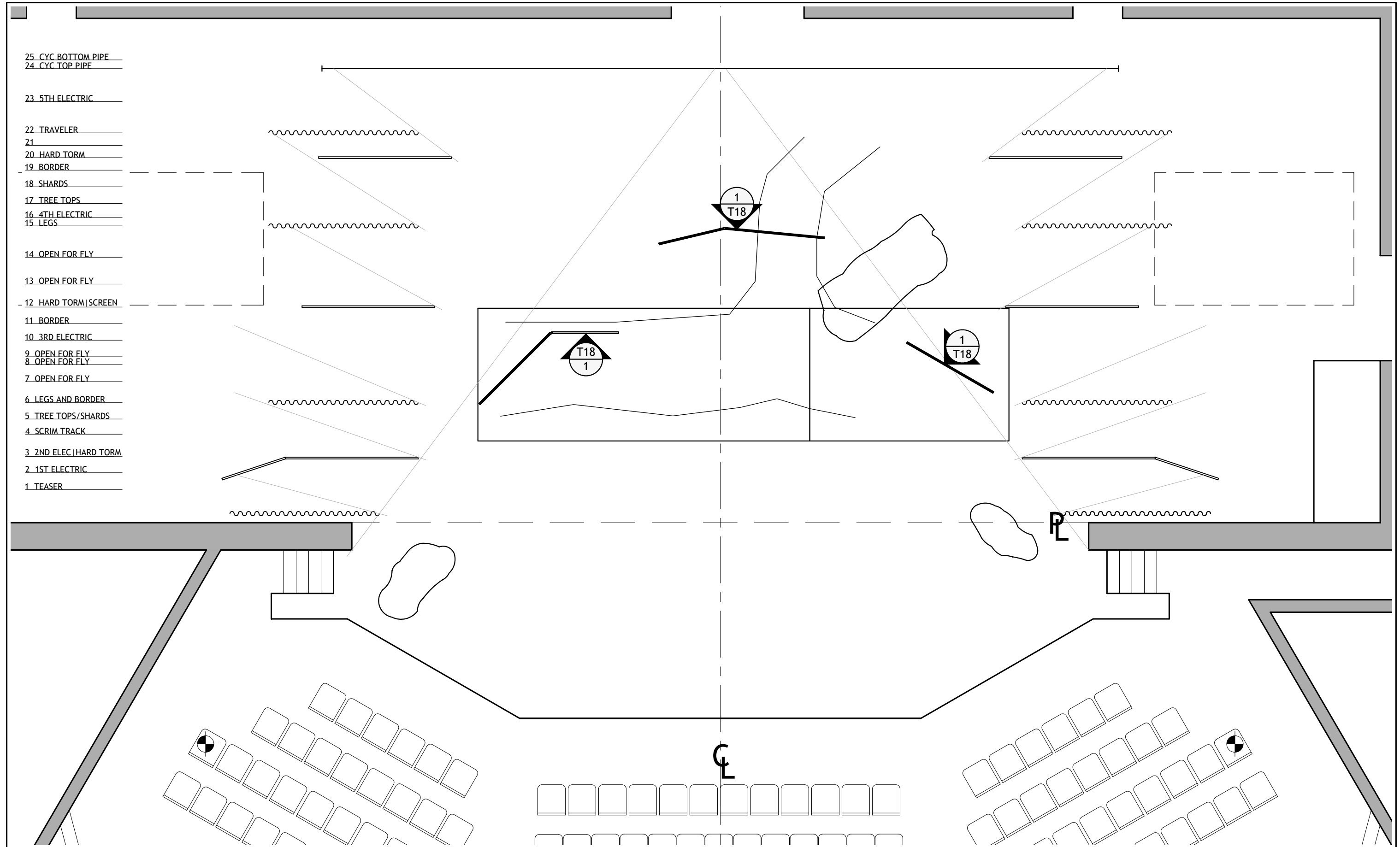


- 25. CYC BOTTOM PIPE _____
- 24. CYC TOP PIPE _____

- 23. 5TH ELECTRIC _____

- 22. TRAVELER _____
- 21. _____
- 20. HARD TORM _____
- 19. BORDER _____
- 18. SHARDS _____
- 17. TREE TOPS _____
- 16. 4TH ELECTRIC _____
- 15. LEGS _____

- 14. OPEN FOR FLY _____
- 13. OPEN FOR FLY _____
- 12. HARD TORM | SCREEN _____
- 11. BORDER _____
- 10. 3RD ELECTRIC _____
- 9. OPEN FOR FLY _____
- 8. OPEN FOR FLY _____
- 7. OPEN FOR FLY _____
- 6. LEGS AND BORDER _____
- 5. TREE TOPS / SHARDS _____
- 4. SCRIM TRACK _____
- 3. 2ND ELEC | HARD TORM _____
- 2. 1ST ELECTRIC _____
- 1. TEASER _____



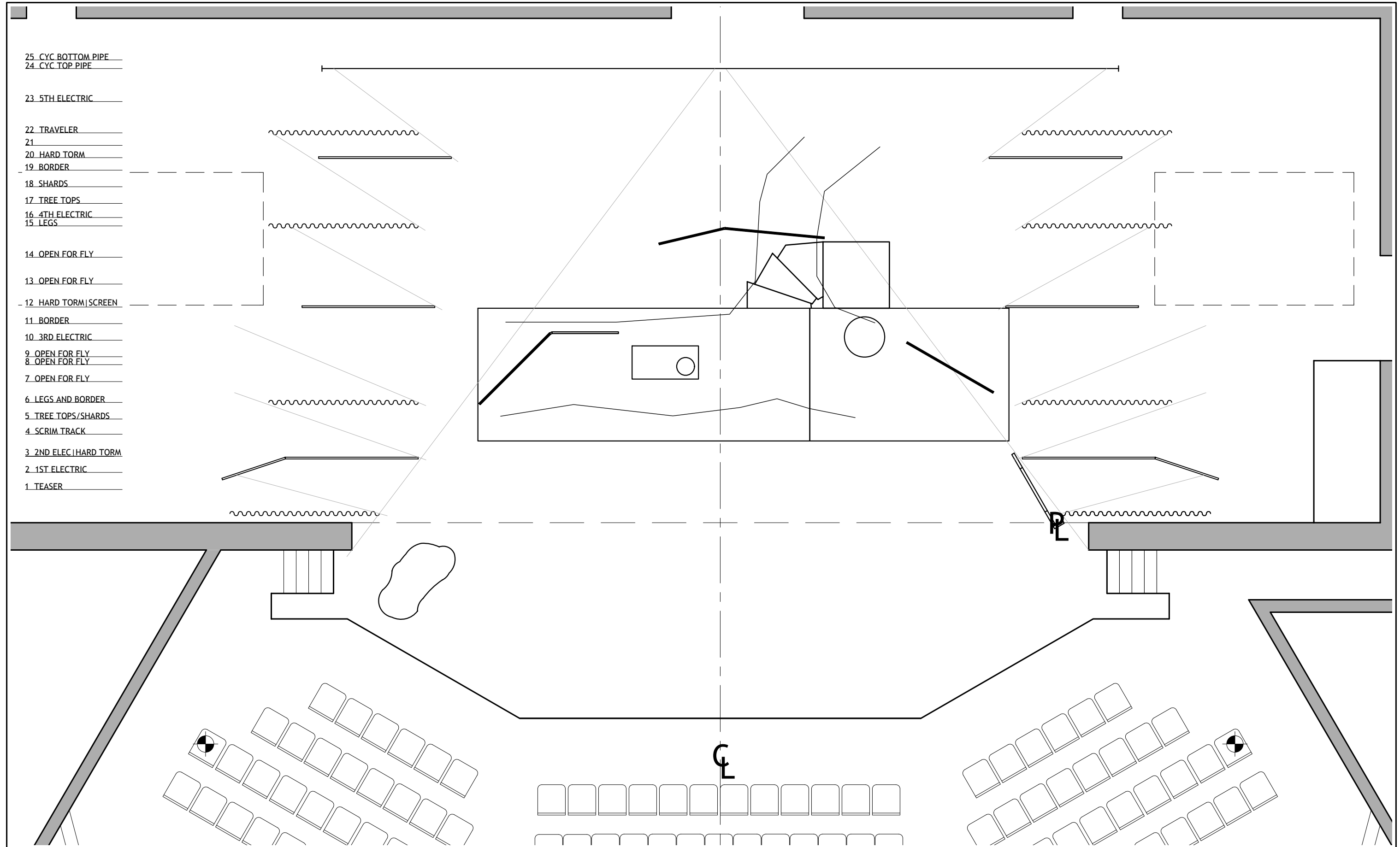
NOTES:

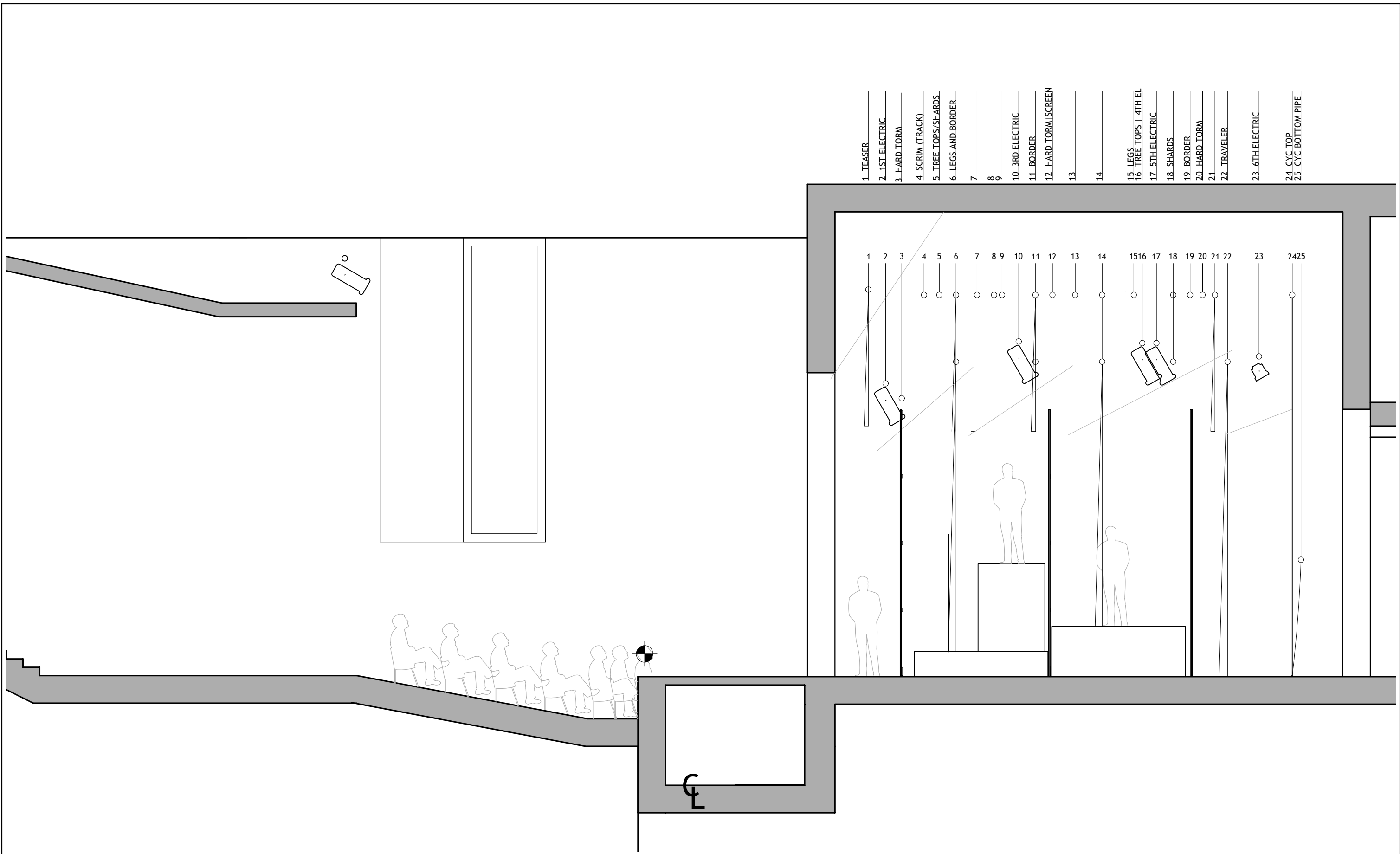
- 25 CYC BOTTOM PIPE _____
- 24 CYC TOP PIPE _____

- 23 5TH ELECTRIC _____

- 22 TRAVELER _____
- 21 _____
- 20 HARD TORM _____
- 19 BORDER _____
- 18 SHARDS _____
- 17 TREE TOPS _____
- 16 4TH ELECTRIC _____
- 15 LEGS _____

- 14 OPEN FOR FLY _____
- 13 OPEN FOR FLY _____
- 12 HARD TORM | SCREEN _____
- 11 BORDER _____
- 10 3RD ELECTRIC _____
- 9 OPEN FOR FLY _____
- 8 OPEN FOR FLY _____
- 7 OPEN FOR FLY _____
- 6 LEGS AND BORDER _____
- 5 TREE TOPS / SHARDS _____
- 4 SCRIM TRACK _____
- 3 2ND ELEC | HARD TORM _____
- 2 1ST ELECTRIC _____
- 1 TEASER _____

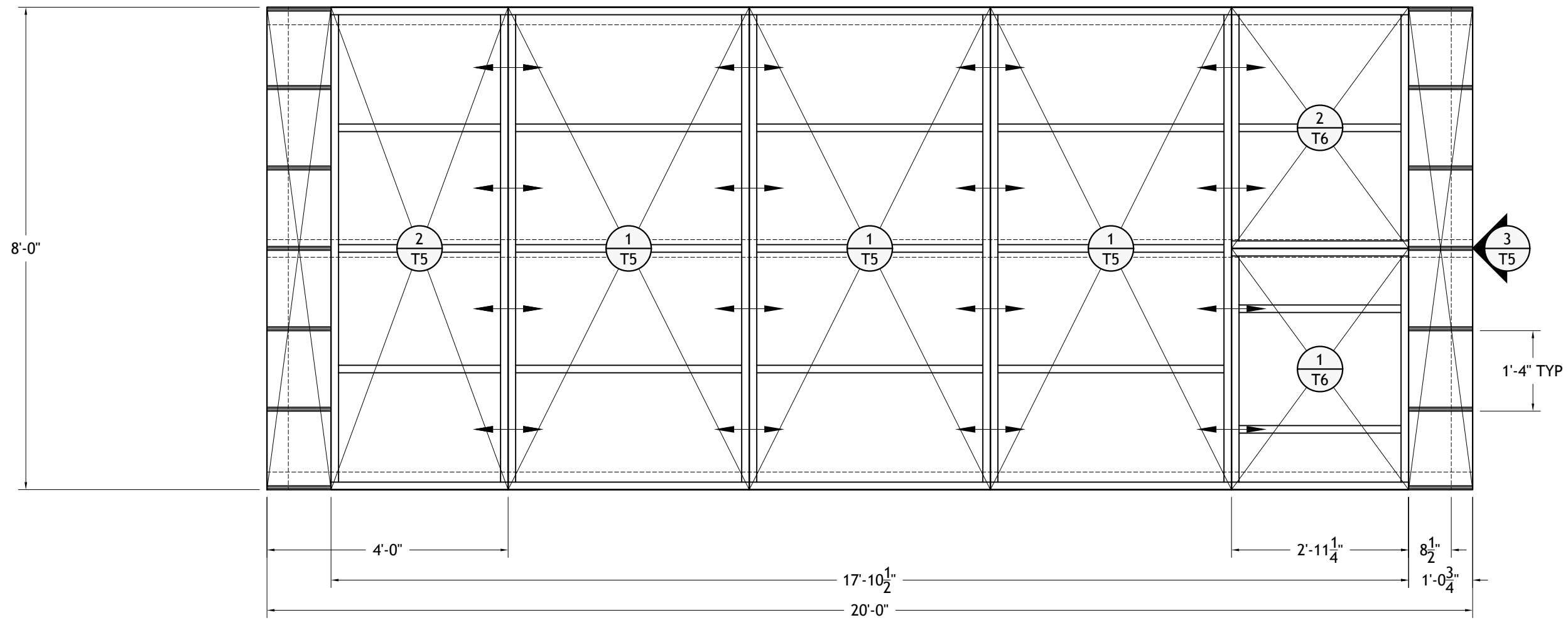




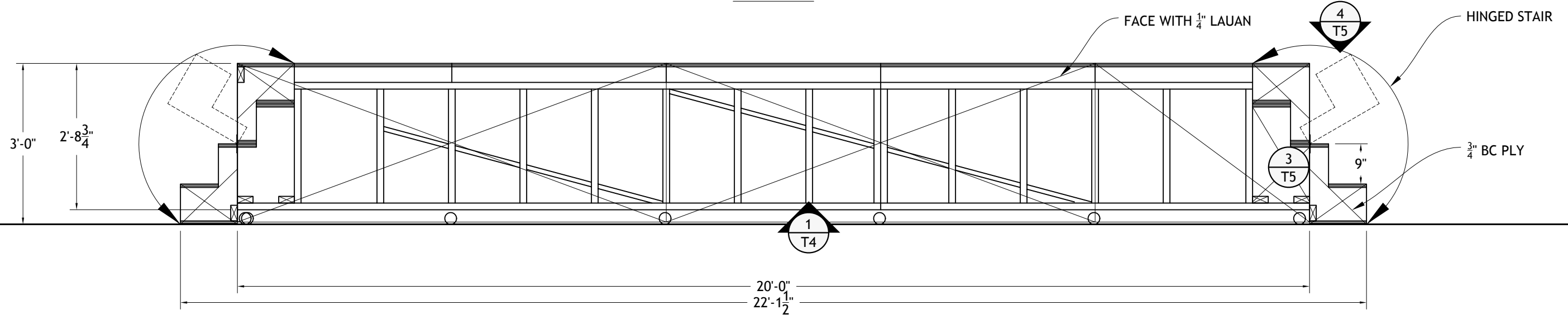
CLSHS | THE WIZARD OF OZ
CENTERLINE SECTION

SCALE: 3/16" = 1'-0" | 09.16.10 | DRAWN BY: NQ | DIR: B. STONER | DESIGN: NQ

NOTES:

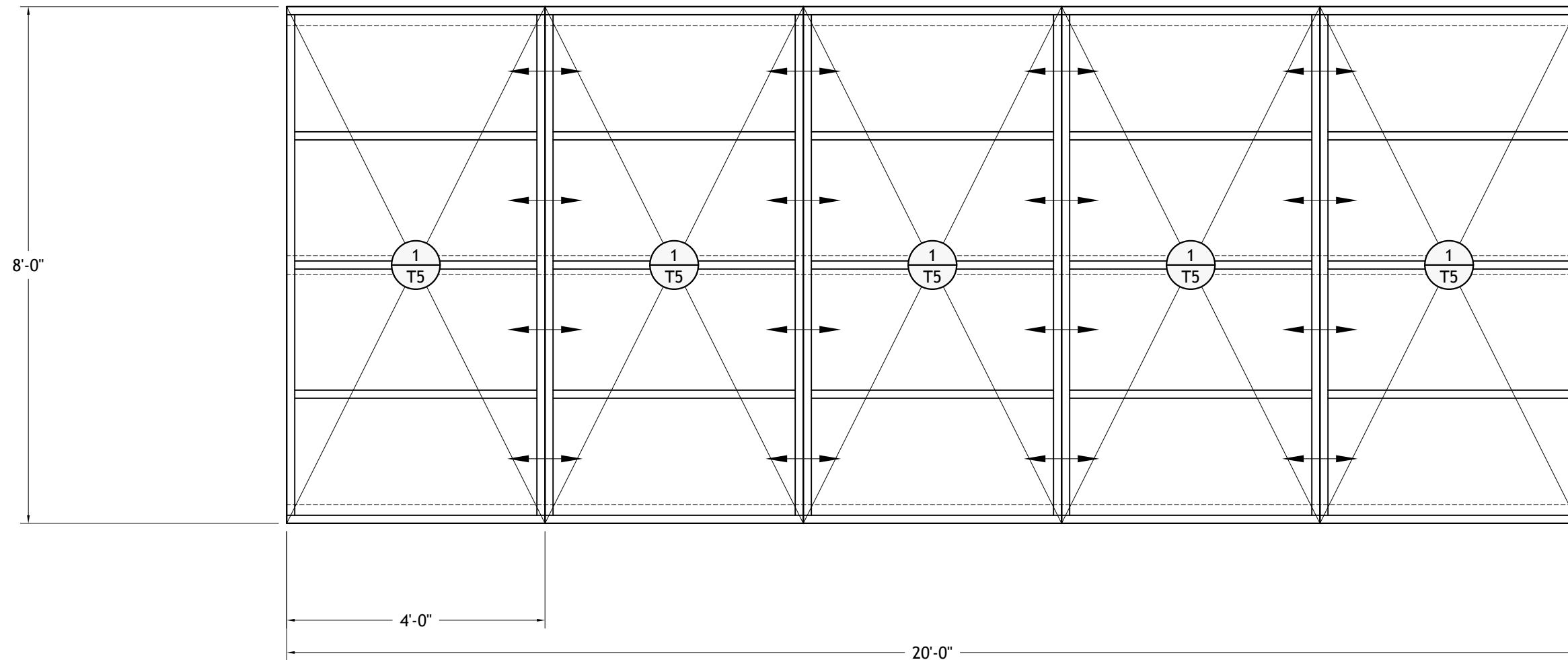


TOP VIEW

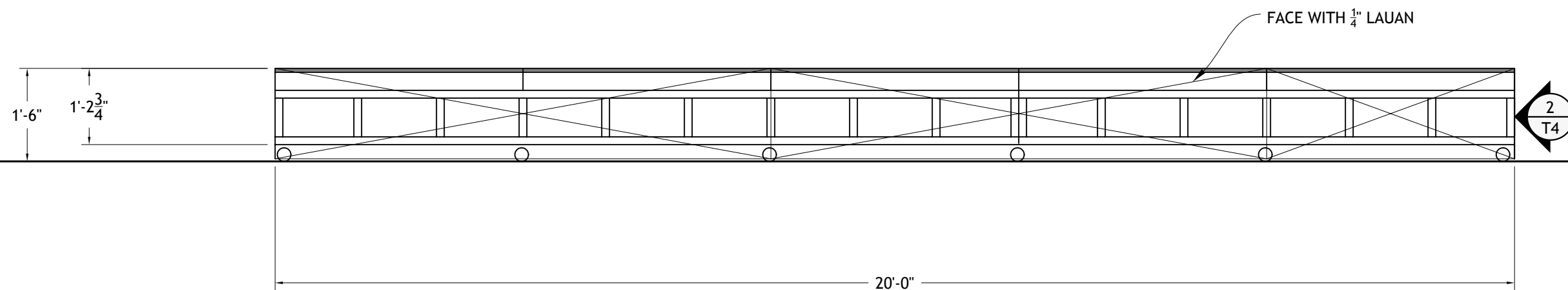


FRONT VIEW

1 USR SLIPSTAGE COMPOSITE
T1 SCALE: 1/2" = 1'-0" BUILD 1

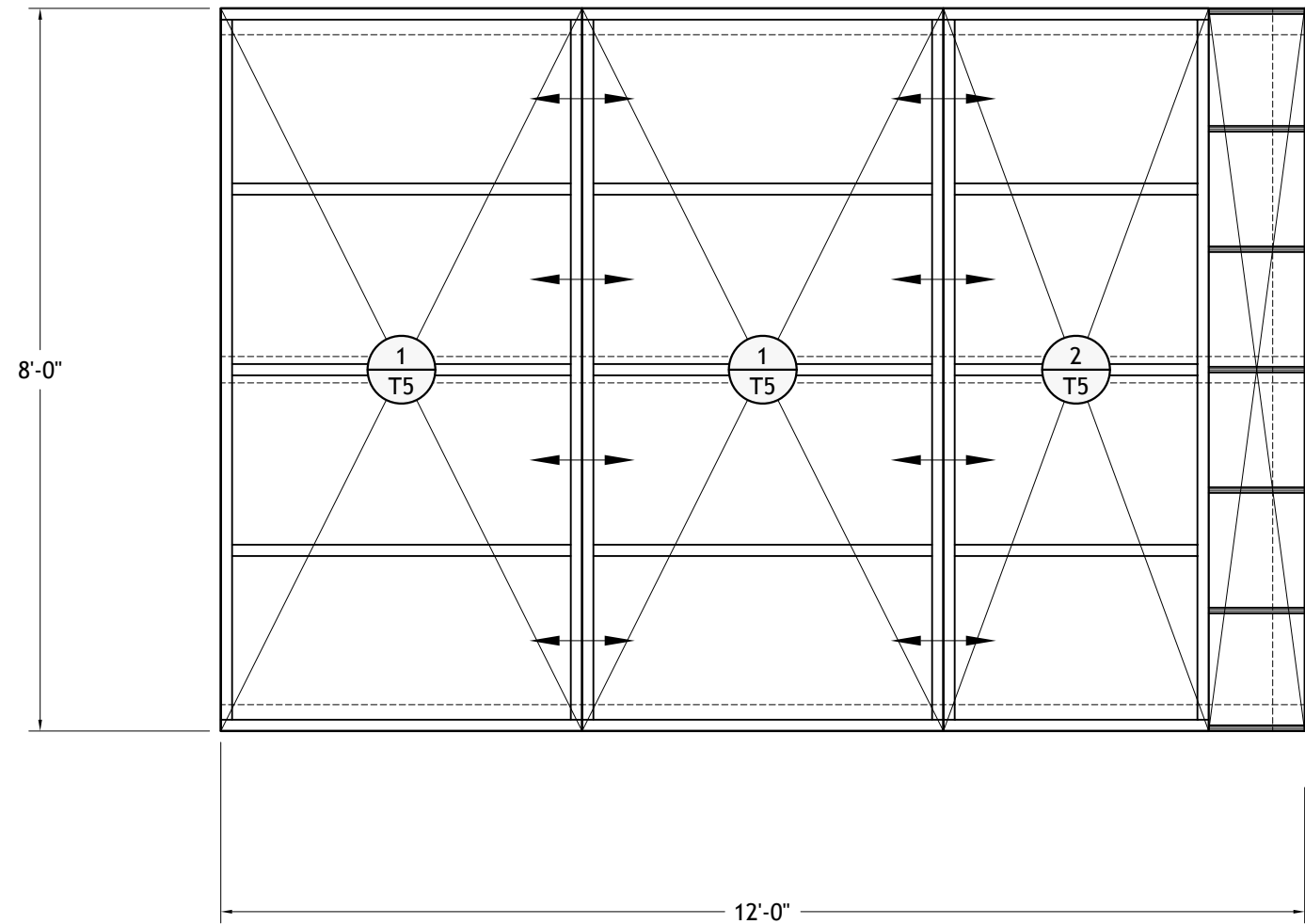


TOP VIEW

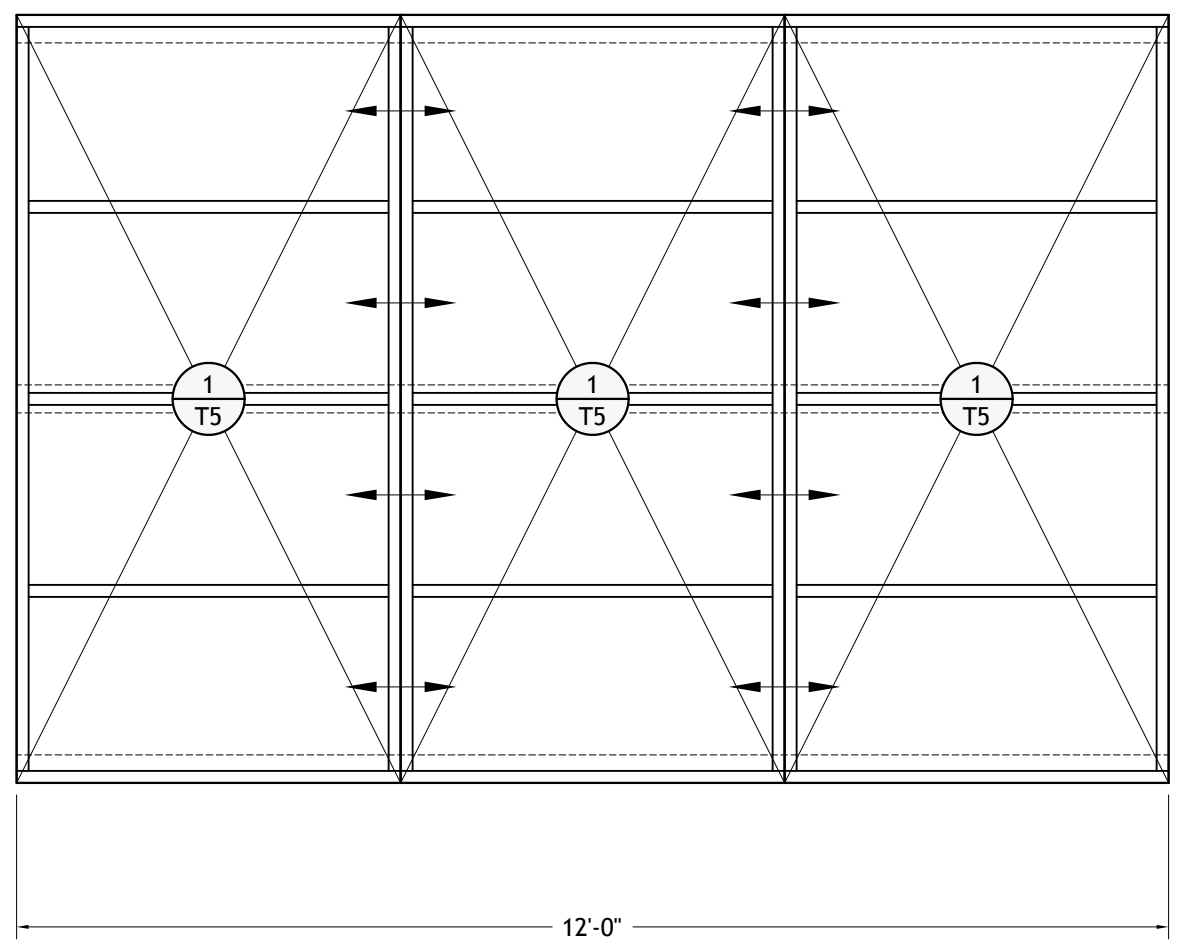


FRONT VIEW

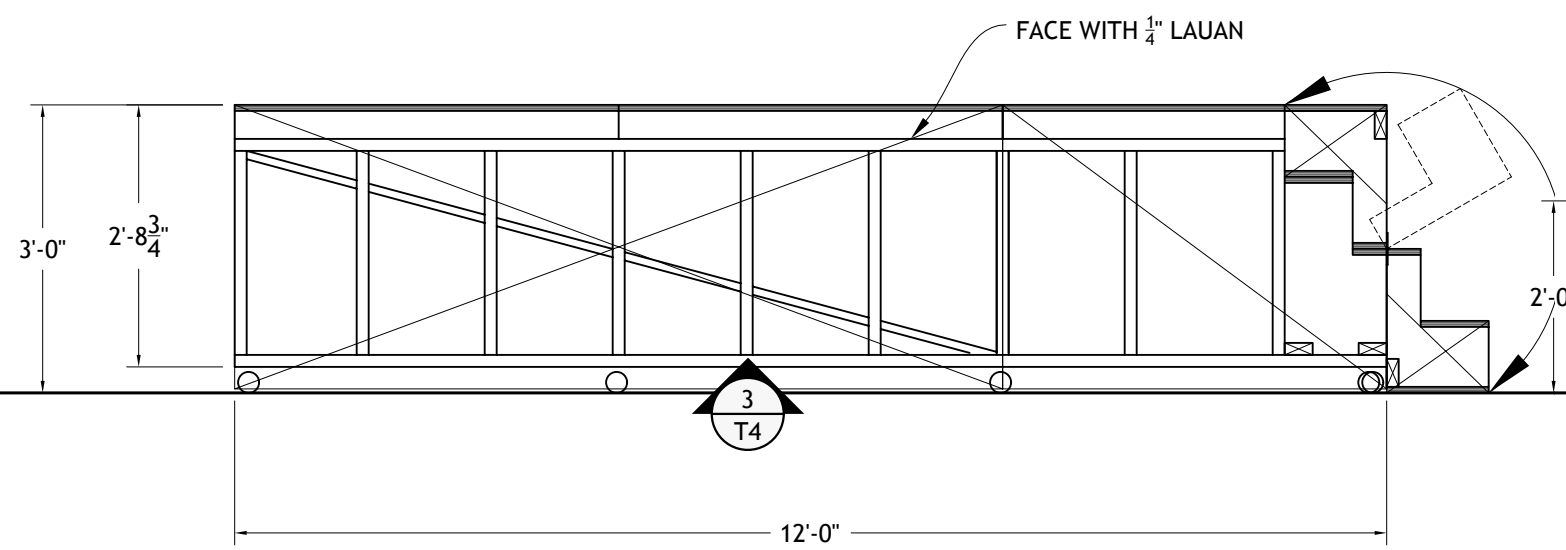
1 USR SLIPSTAGE COMPOSITE
T2 SCALE: 1/2" = 1'-0" BUILD 1



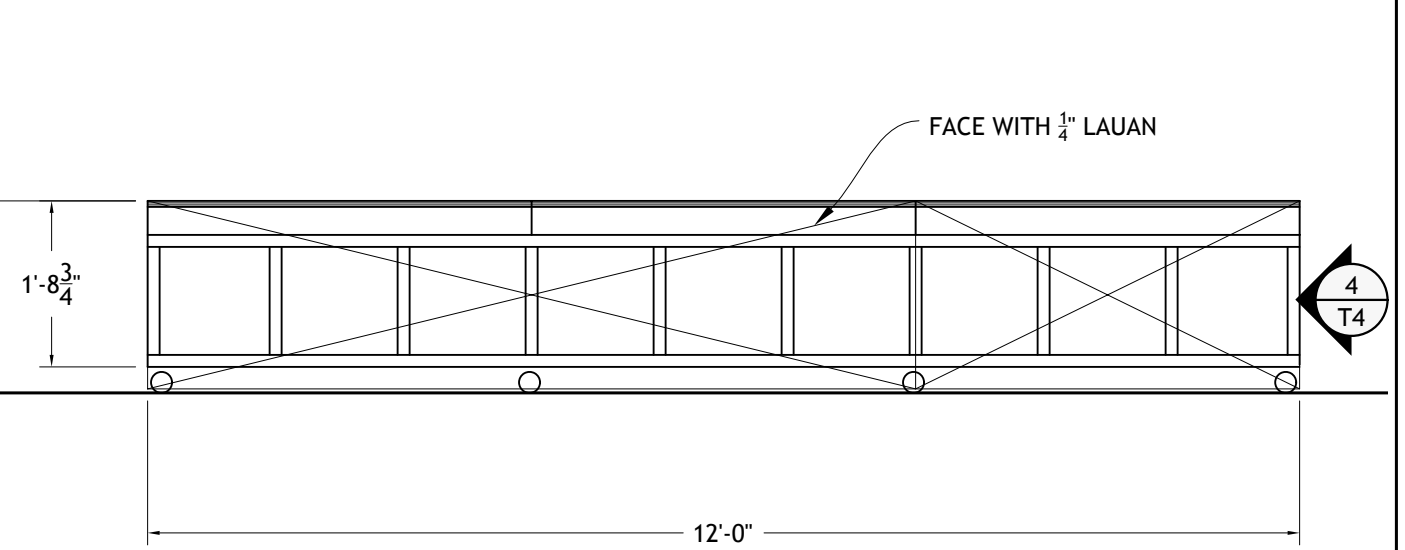
TOP VIEW



TOP VIEW



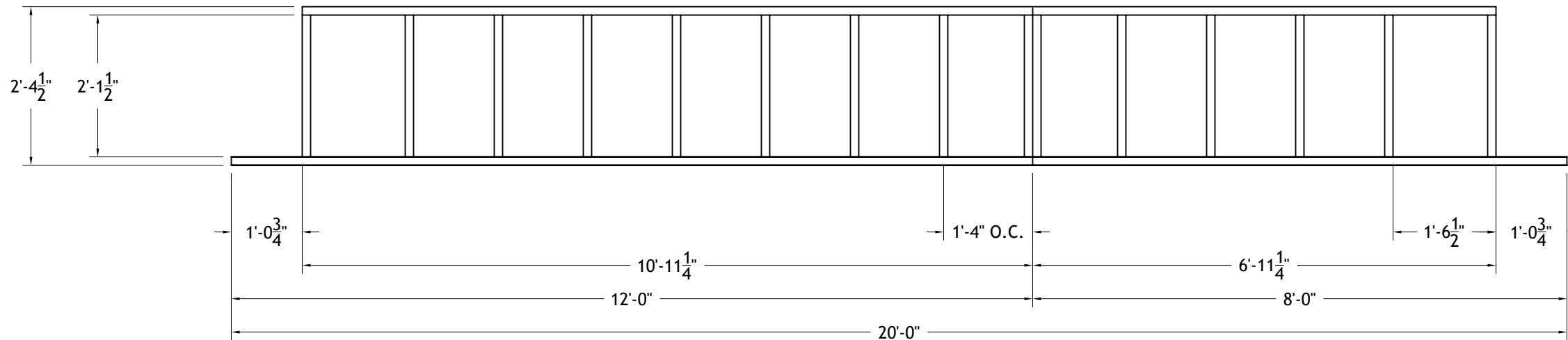
FRONT VIEW



FRONT VIEW

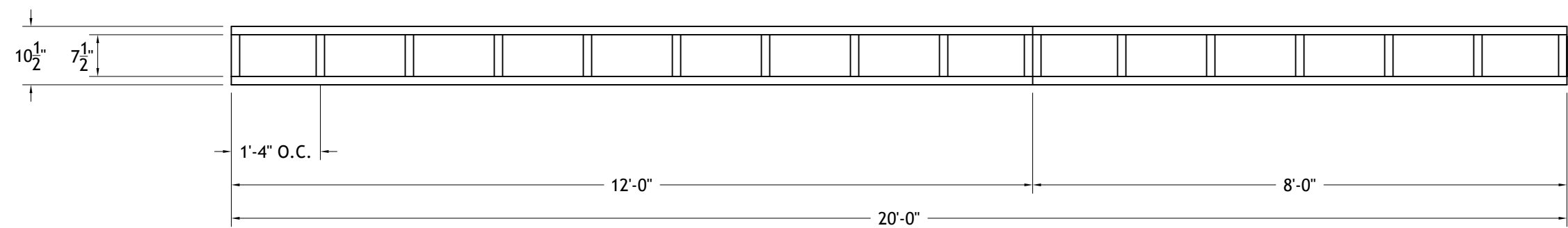
1 USL SLIPSTAGE COMPOSITE
T3 SCALE: 1/2" = 1'-0" BUILD 1

2 DSL SLIPSTAGE COMPOSITE
T3 SCALE: 1/2" = 1'-0" BUILD 1



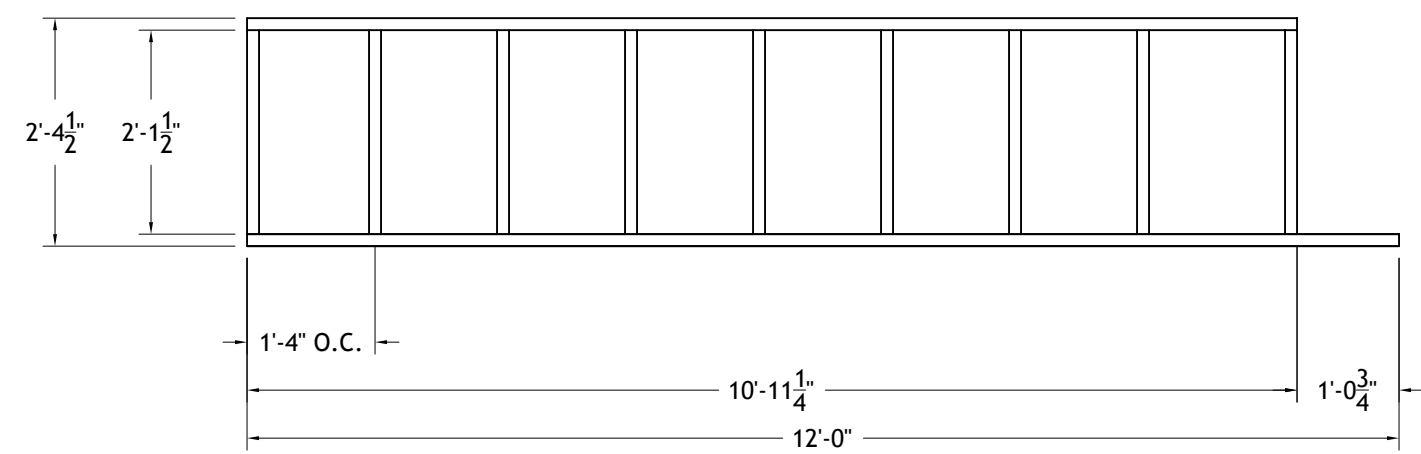
1 USR STUDWALL
T4 SCALE: 1/2" = 1'-0" BUILD 3

FRONT VIEW



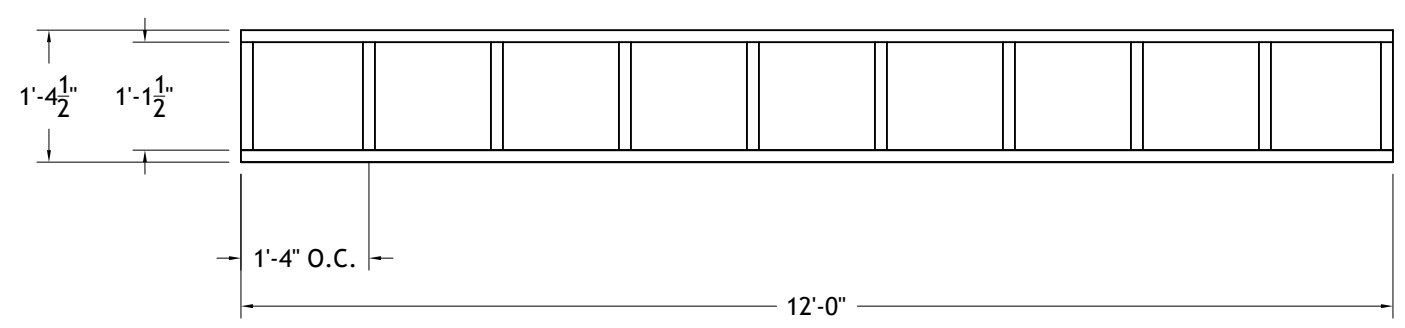
2 DSR STUDWALL
T4 SCALE: 1/2" = 1'-0" BUILD 3

FRONT VIEW



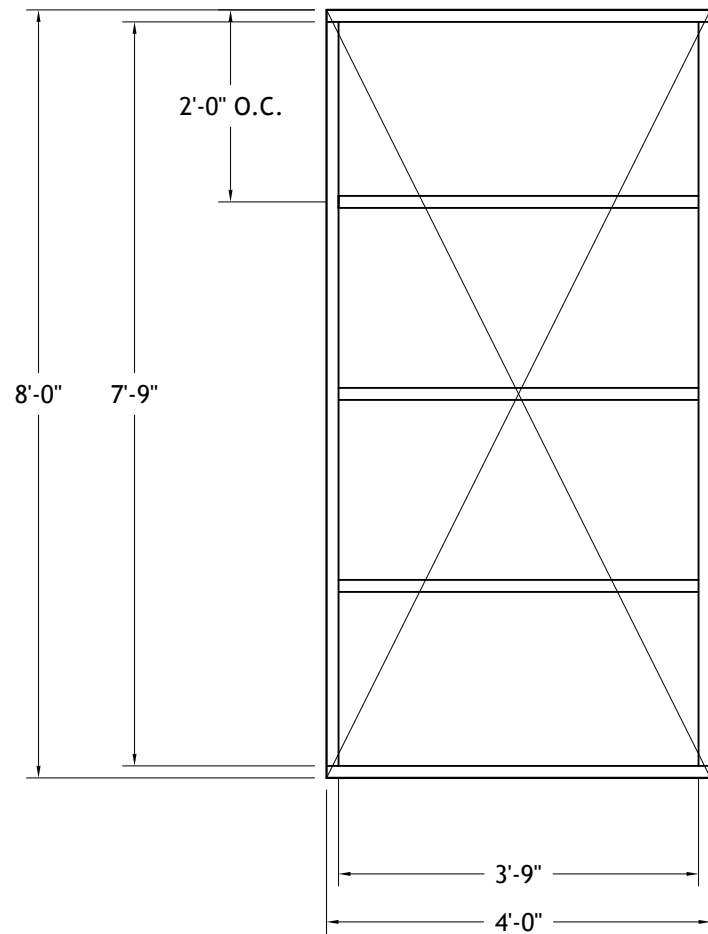
3 USL STUDWALL
T4 SCALE: 1/2" = 1'-0" BUILD 3

FRONT VIEW



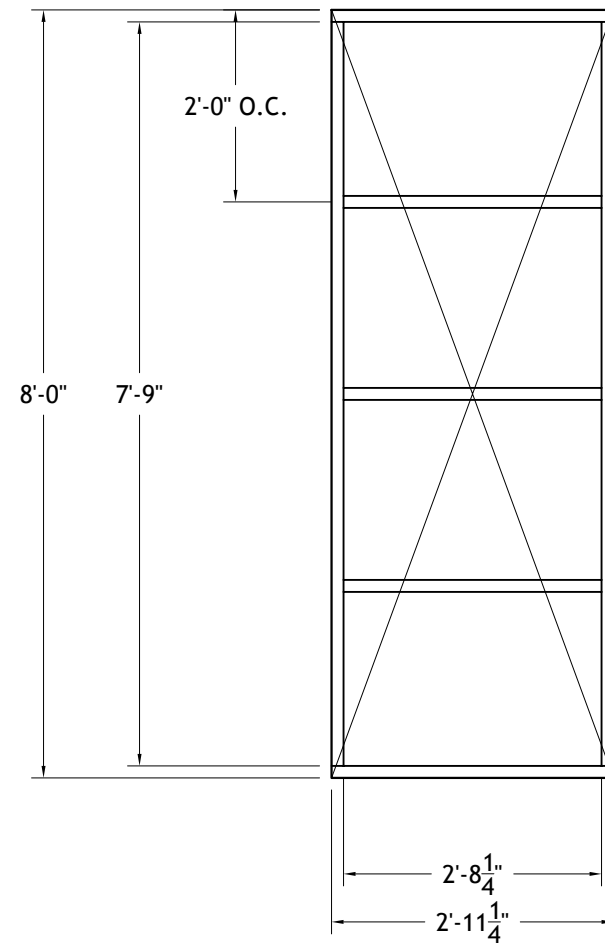
4 DSL STUDWALL
T4 SCALE: 1/2" = 1'-0" BUILD 3

FRONT VIEW



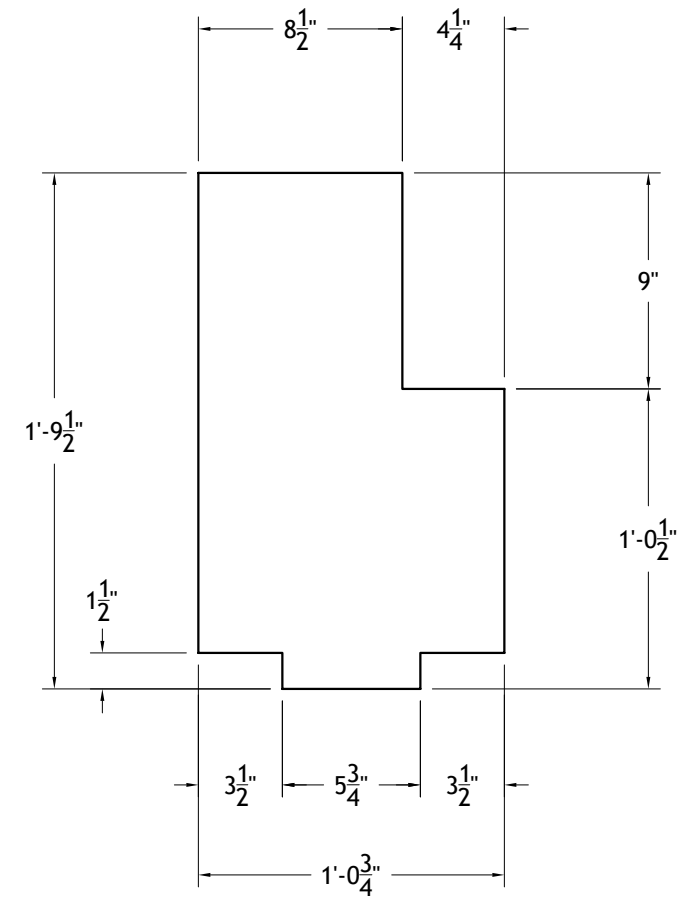
TOP VIEW

1 STOCK 4X8 PLATFORM
T5 SCALE: 1/2" = 1'-0" BUILD 13



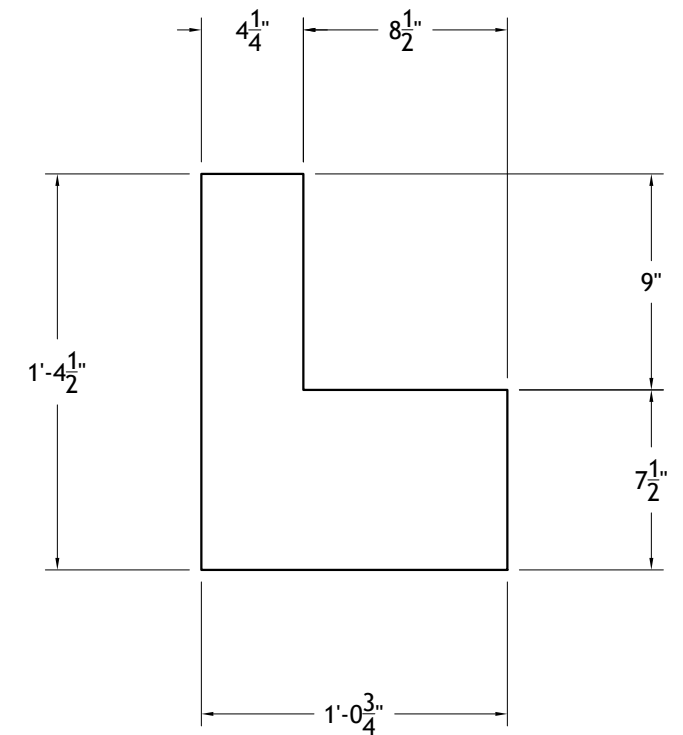
TOP VIEW

2 SLIP STAGE CUSTOM PLATFORM
T5 SCALE: 1/2" = 1'-0" BUILD 2



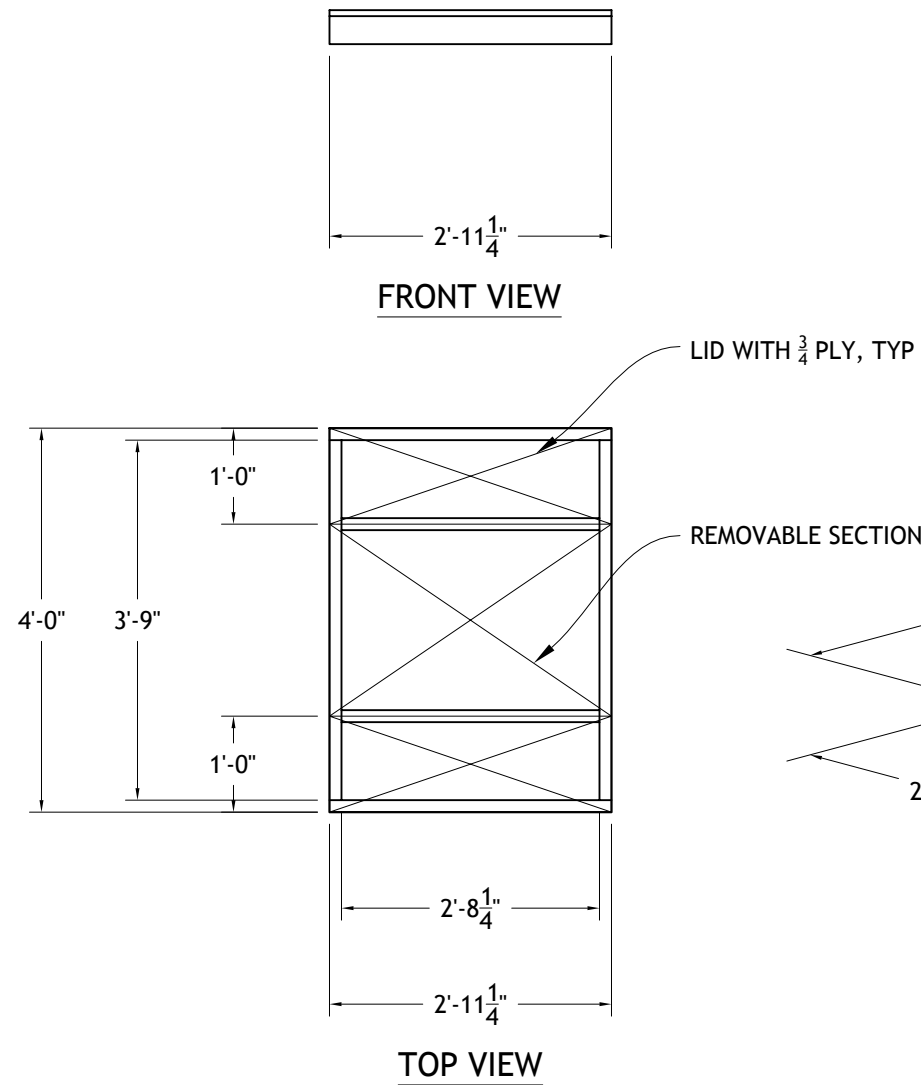
FRONT VIEW

3 HINGE STAIR BOTTOM CARRIAGE
T5 SCALE: 1/2" = 1'-0" BUILD 21

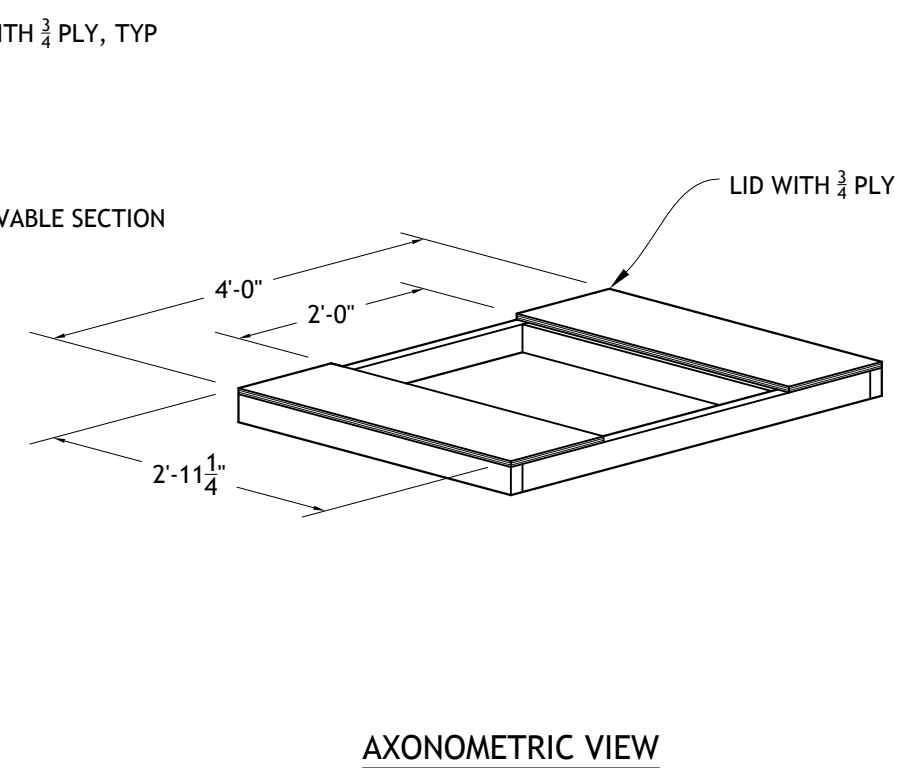


FRONT VIEW

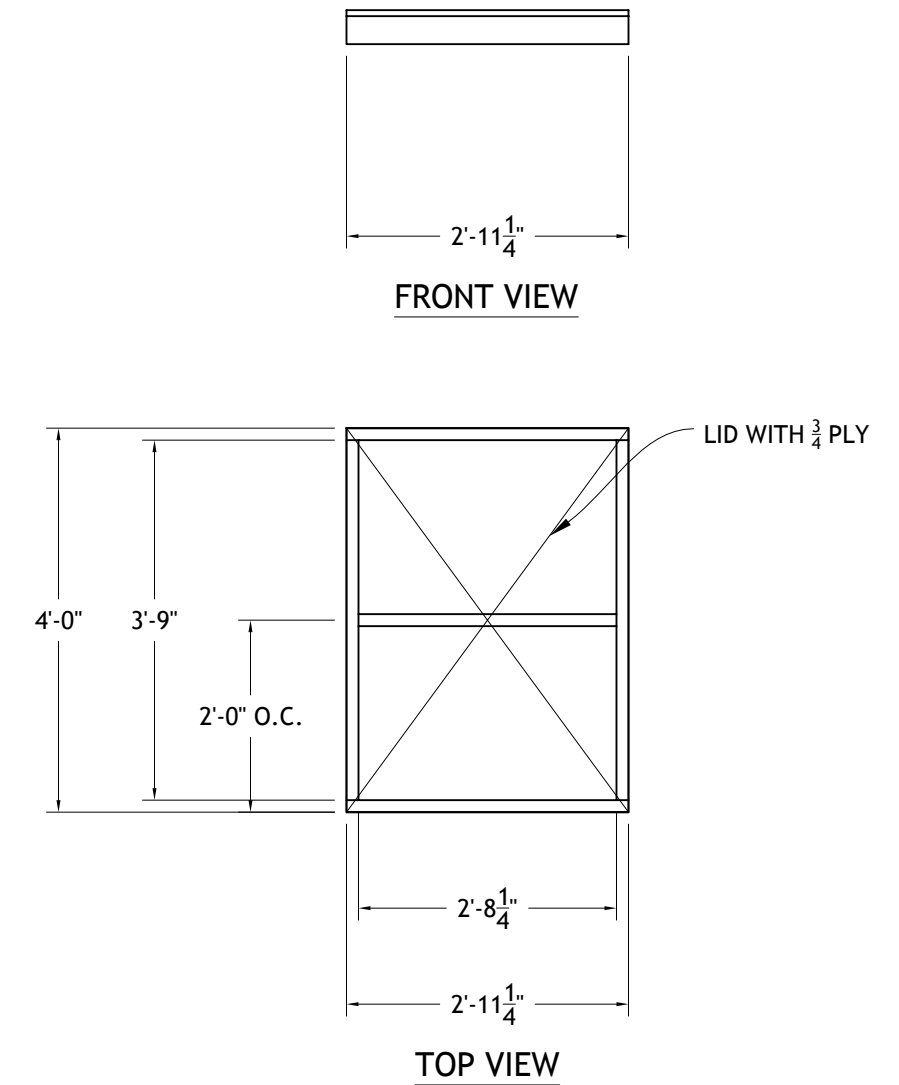
4 HINGE STAIR TOP CARRIAGE
T5 SCALE: 1/2" = 1'-0" BUILD 21



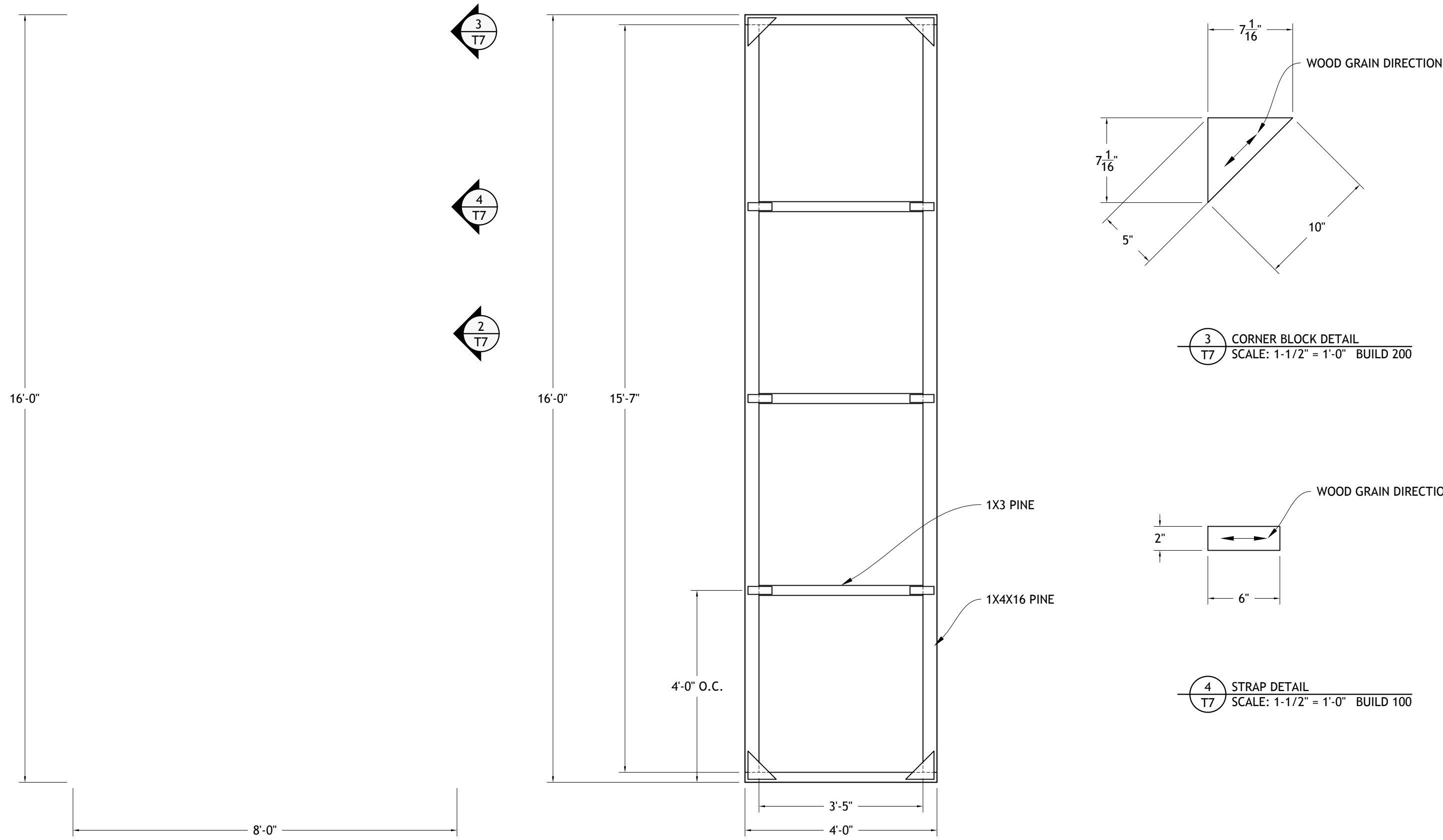
1
T6 USR TRAP PLATFORM
SCALE: 1/2" = 1'-0" BUILD 1



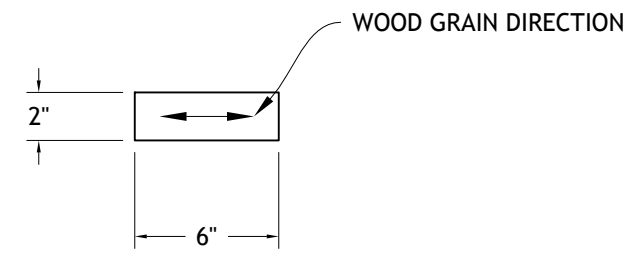
AXONOMETRIC VIEW



2
T6 USR CUSTOM PLATFORM
SCALE: 1/2" = 1'-0" BUILD 1



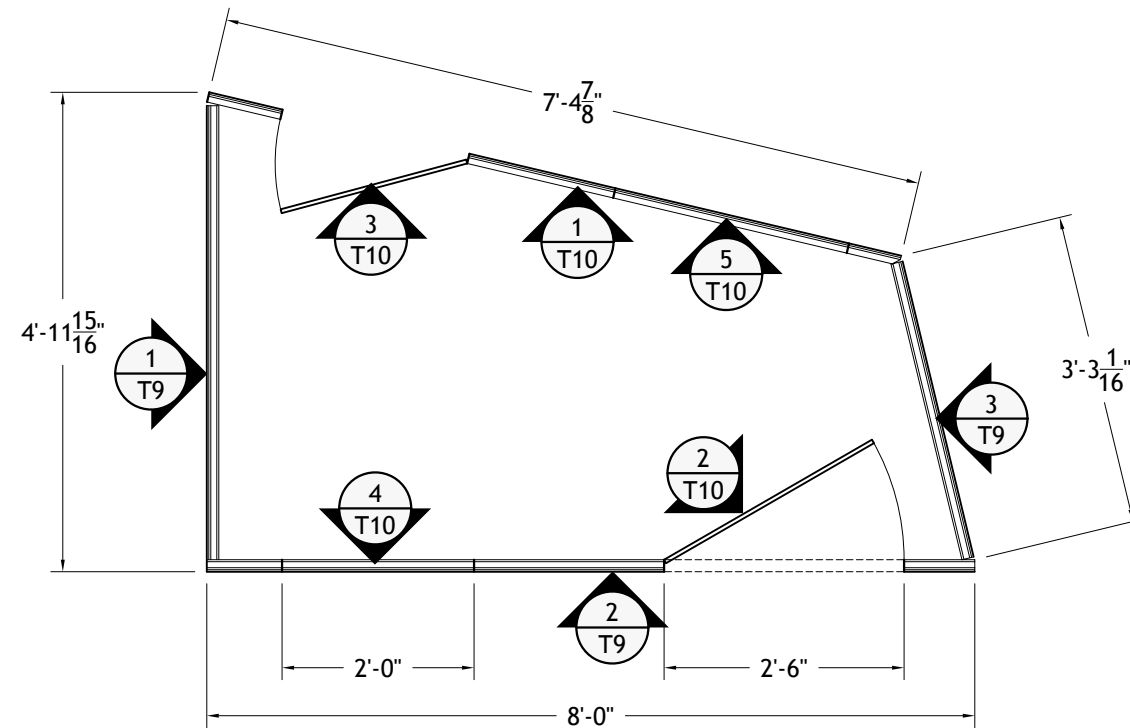
3 CORNER BLOCK DETAIL
 T7 SCALE: 1-1/2" = 1'-0" BUILD 200



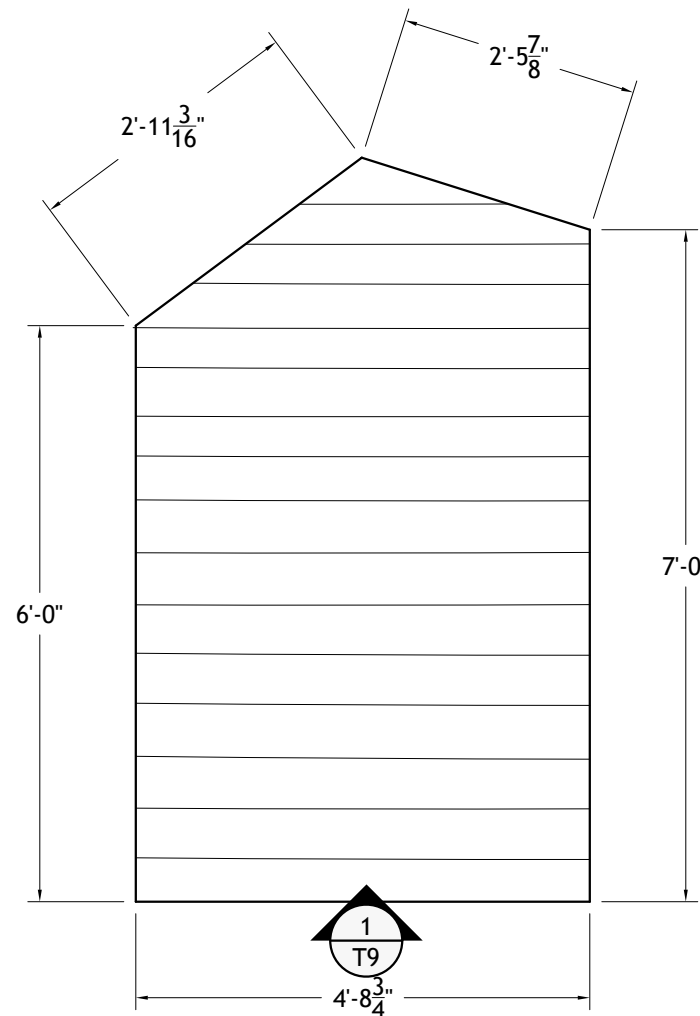
4 STRAP DETAIL
 T7 SCALE: 1-1/2" = 1'-0" BUILD 100

1 HARD TORM COMPOSITE
 T7 SCALE: 1/2" = 1'-0" BUILD 6

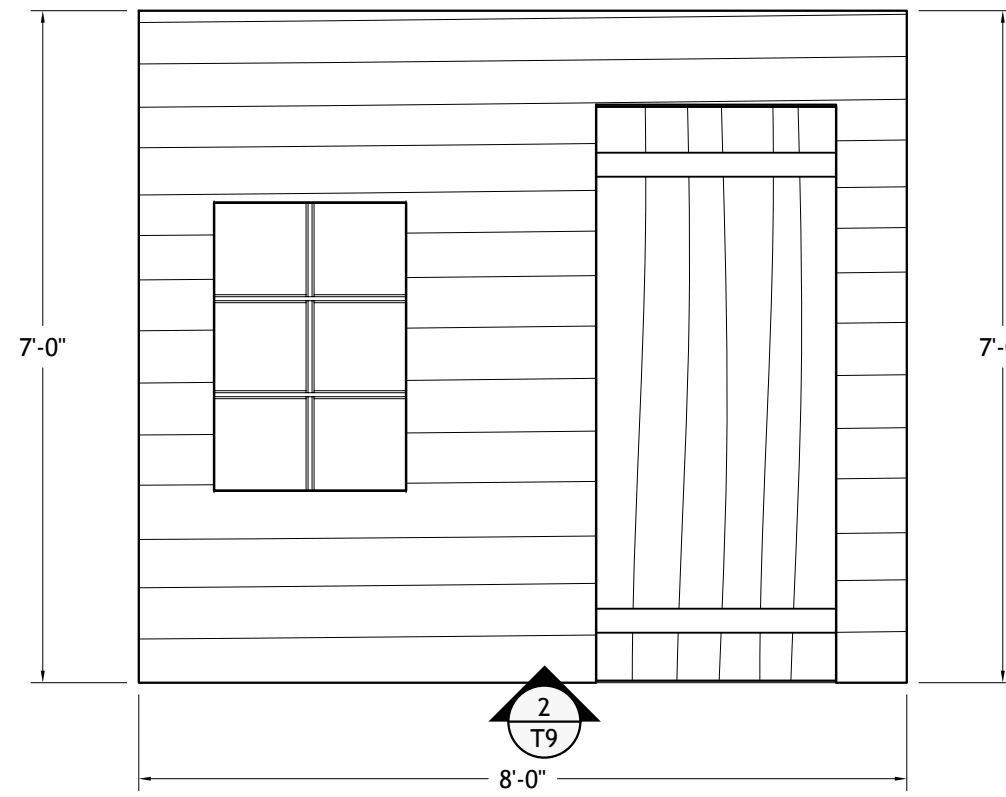
2 HARD TORM FLAT
 T7 SCALE: 1/2" = 1'-0" BUILD 14



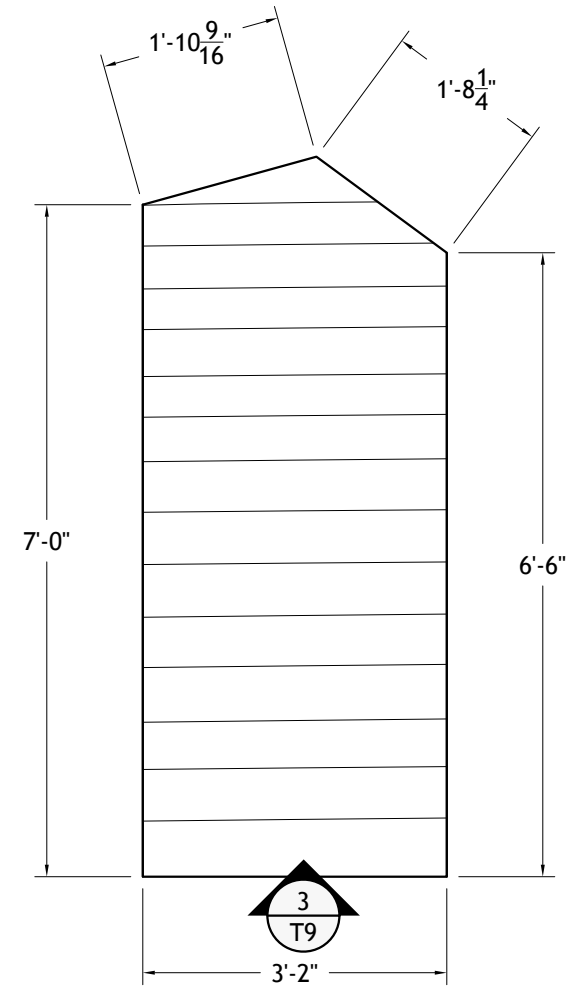
TOP VIEW



SR VIEW



FRONT VIEW

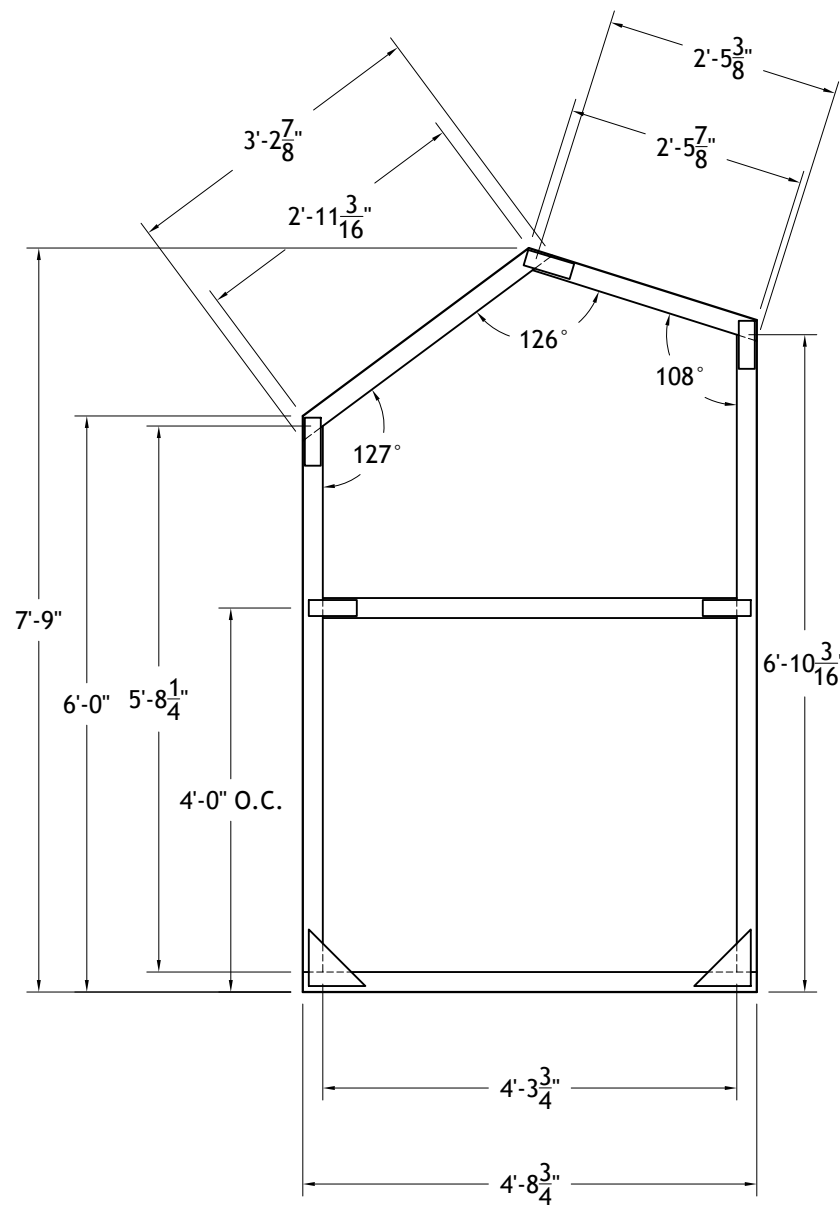


SL VIEW

1 KANSAS FARM HOUSE
T8 SCALE: 1/2" = 1'-0" BUILD 1

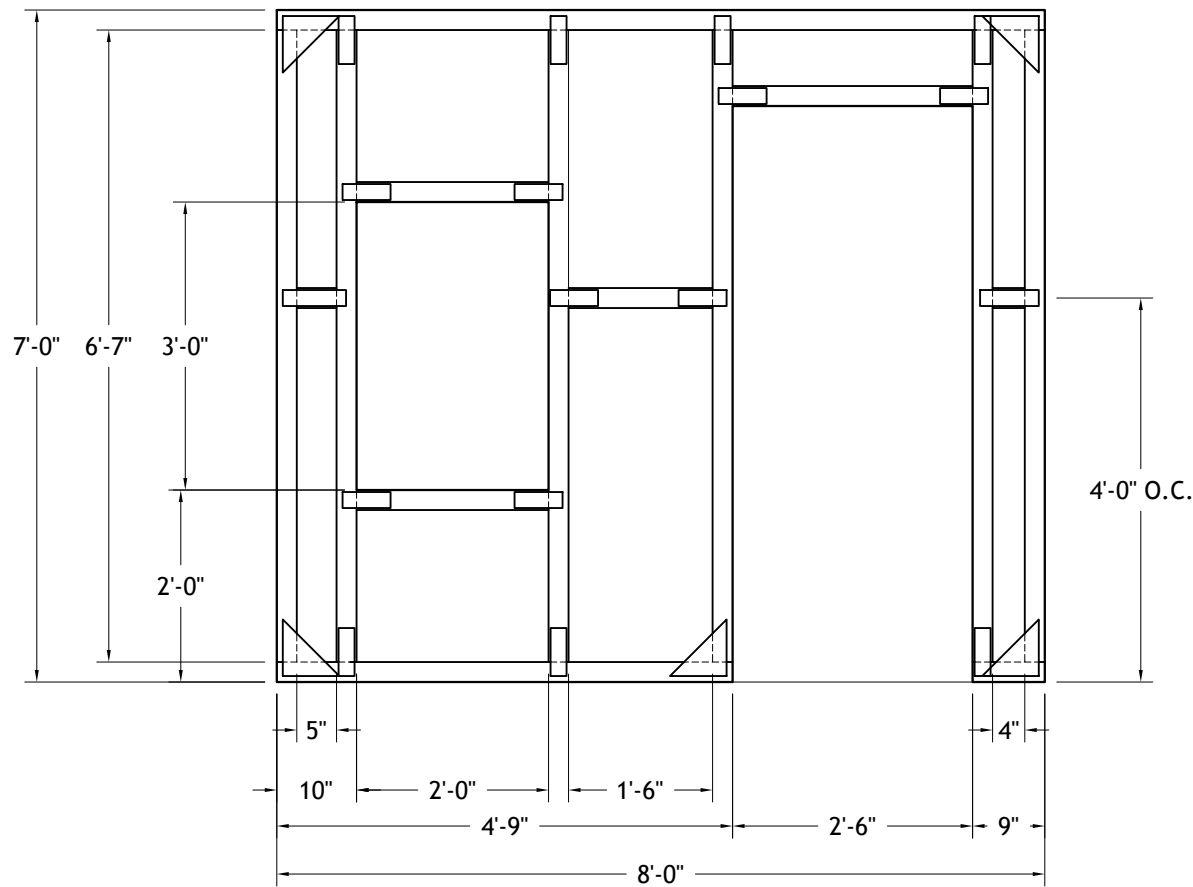
NOTES:

- FLATS WILL BE USED FOR KANSAS FARM HOUSE AND REVERSED FOR TINMAN'S COTTAGE
- USE LOOSE PIN HINGES TO ATTACH FLATS



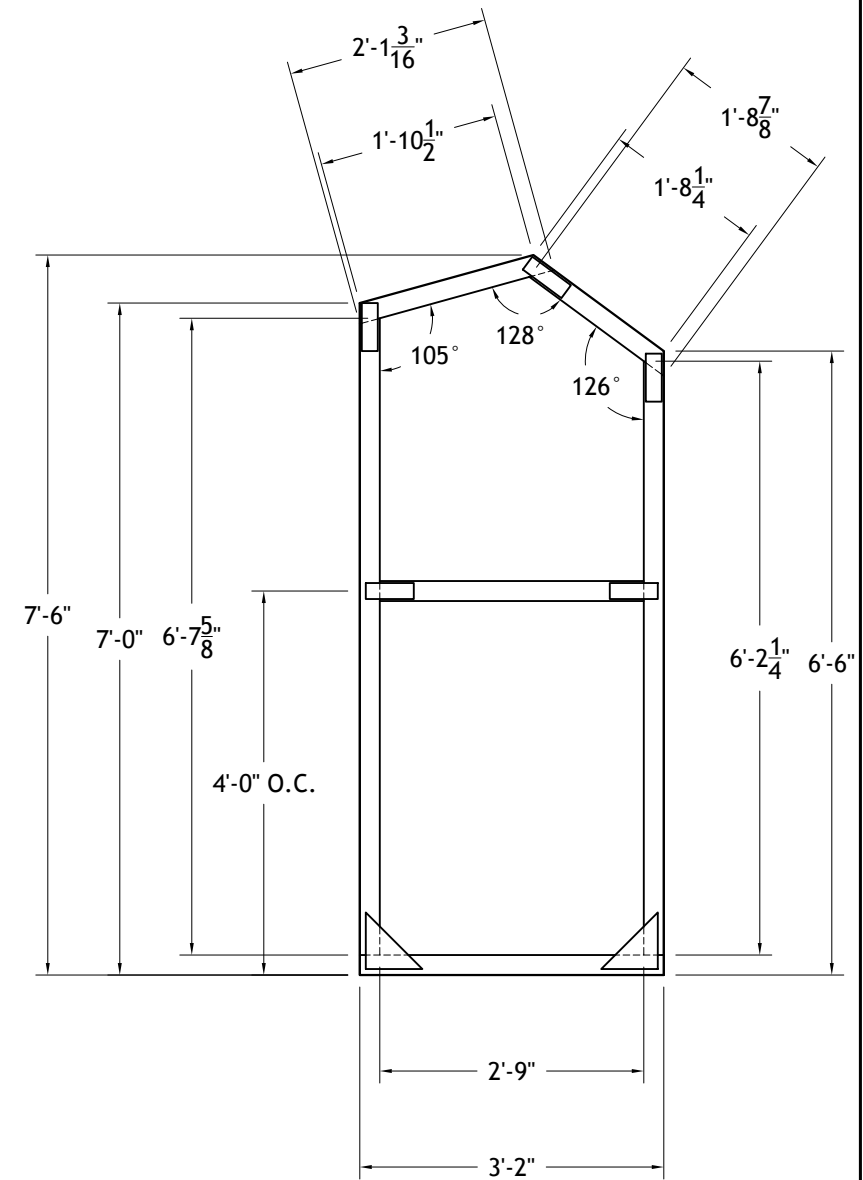
FRONT VIEW
FACE REVERSE SIDE

1 WALL A
T9 SCALE: 1/2" = 1'-0" BUILD 1



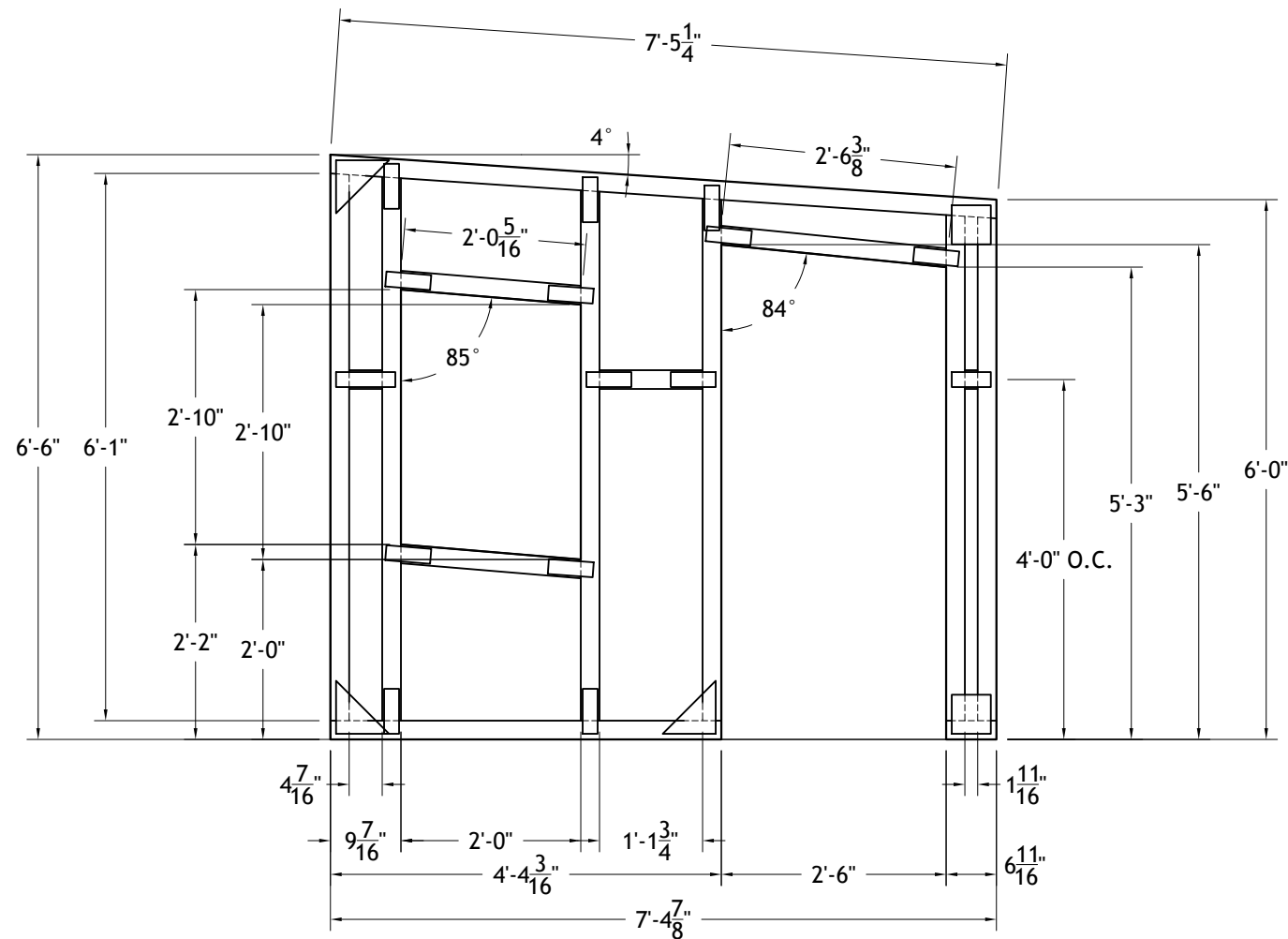
FRONT VIEW
FACE REVERSE SIDE

2 WALL B
T9 SCALE: 1/2" = 1'-0" BUILD 1



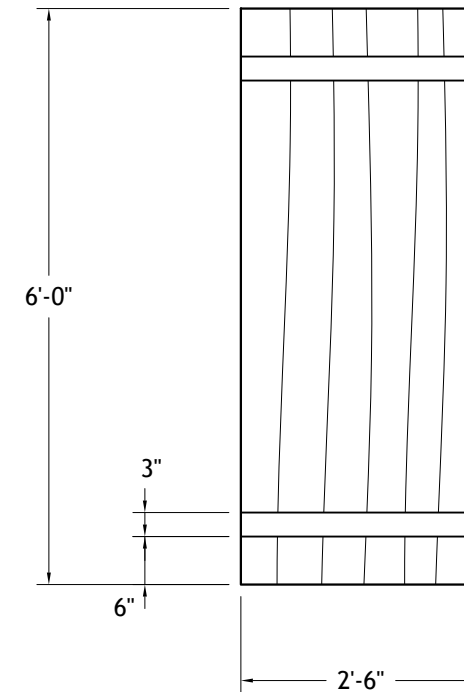
FRONT VIEW
FACE REVERSE SIDE

3 WALL C
T9 SCALE: 1/2" = 1'-0" BUILD 1



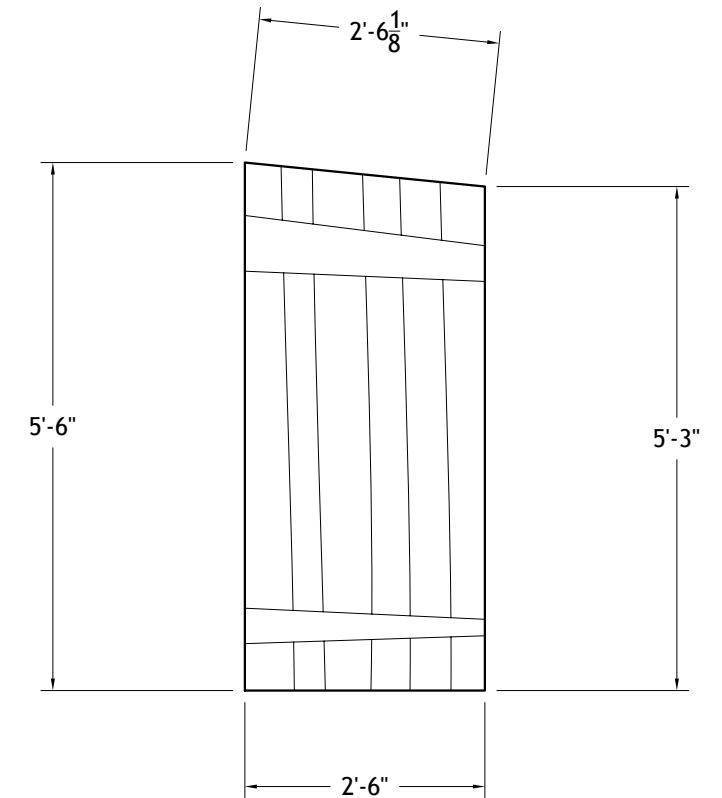
FRONT VIEW

1 WALL D
T10 SCALE: 1/2" = 1'-0" BUILD 1



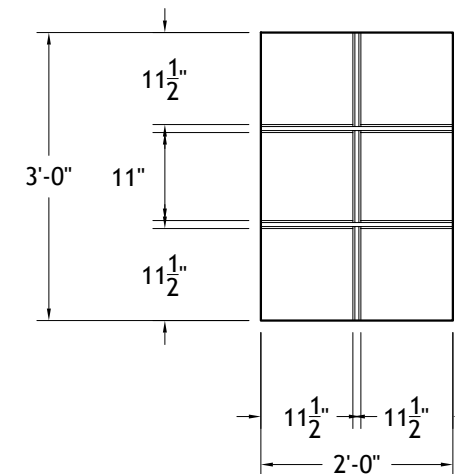
FRONT VIEW

2 FRONT DOOR
T10 SCALE: 1/2" = 1'-0" BUILD 1



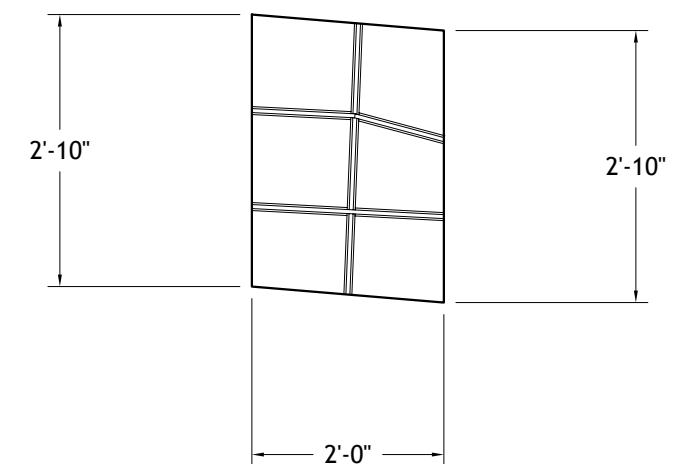
FRONT VIEW

3 BACK DOOR
T10 SCALE: 1/2" = 1'-0" BUILD 1



FRONT VIEW

4 FRONT WINDOW
T10 SCALE: 1/2" = 1'-0" BUILD 1

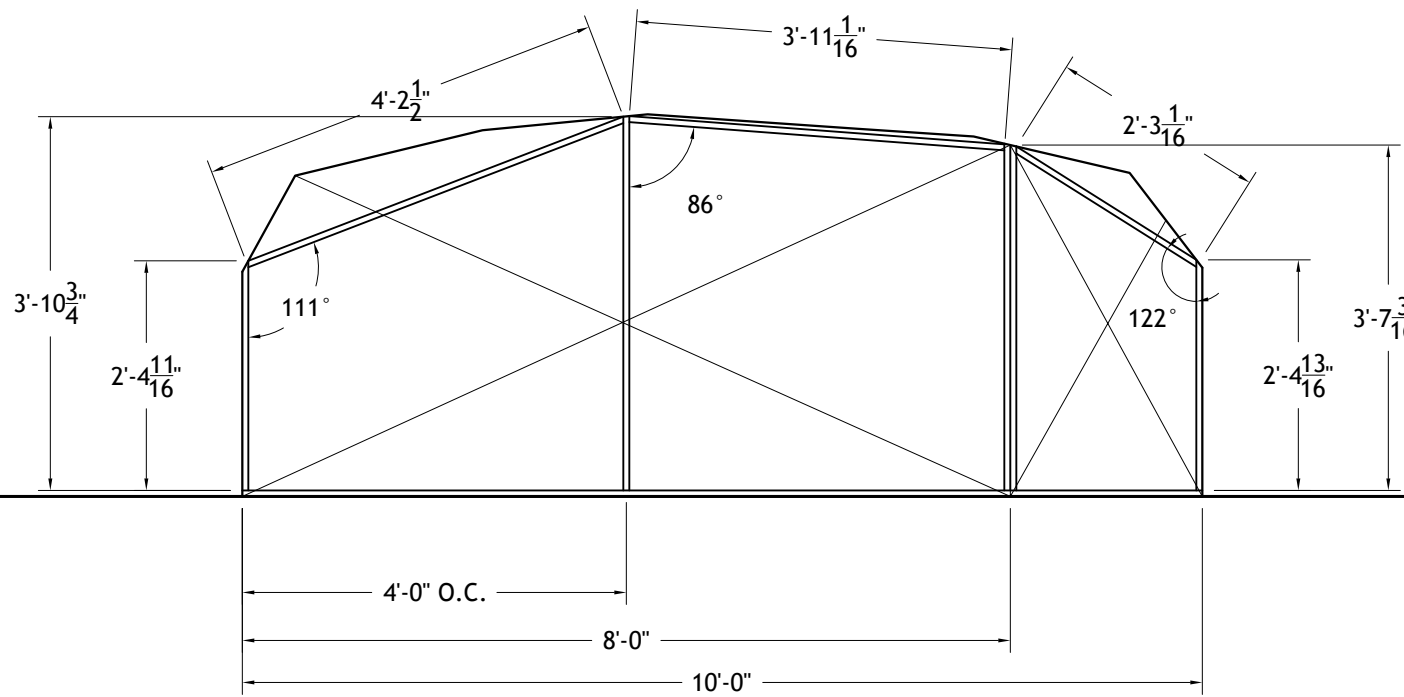


FRONT VIEW

5 BACK WINDOW
T10 SCALE: 1/2" = 1'-0" BUILD 1

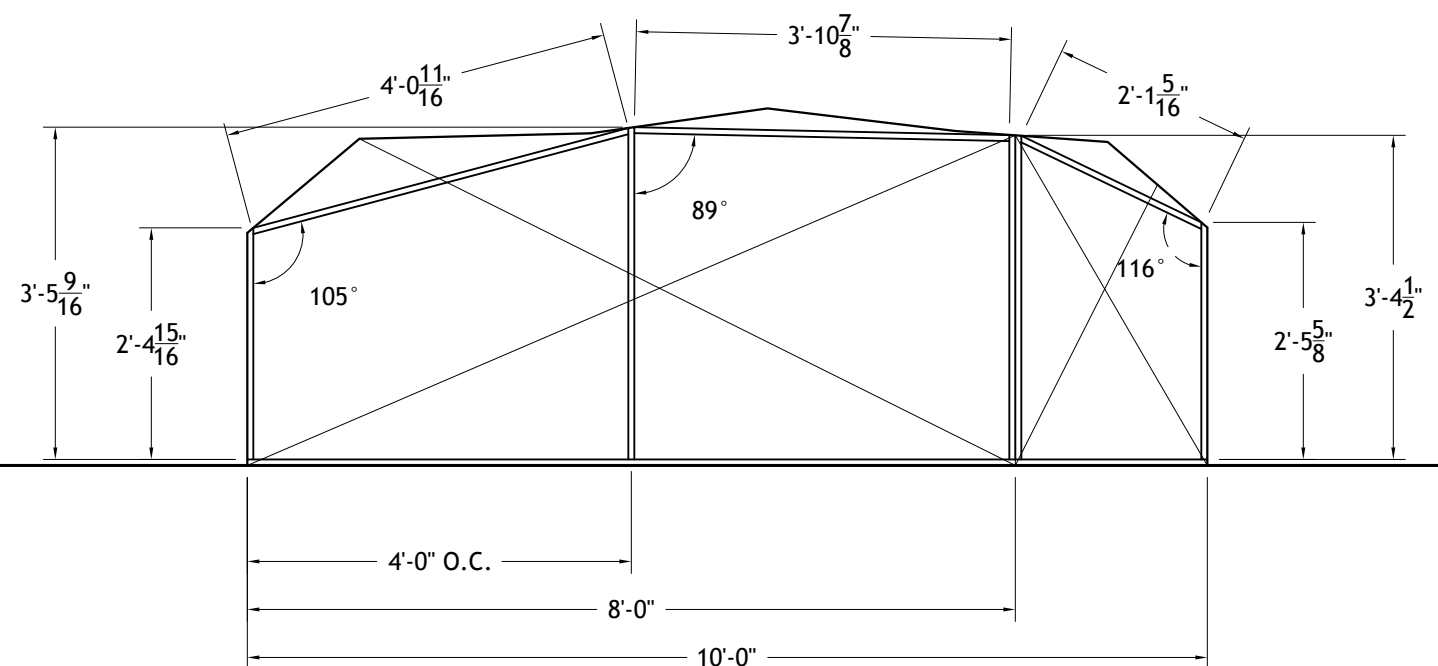
NOTES:

- LOOSE PIN FLATS TOGETHER
- FLATS A, B AND C ARE FLIPPED FOR TINMAN'S COTTAGE



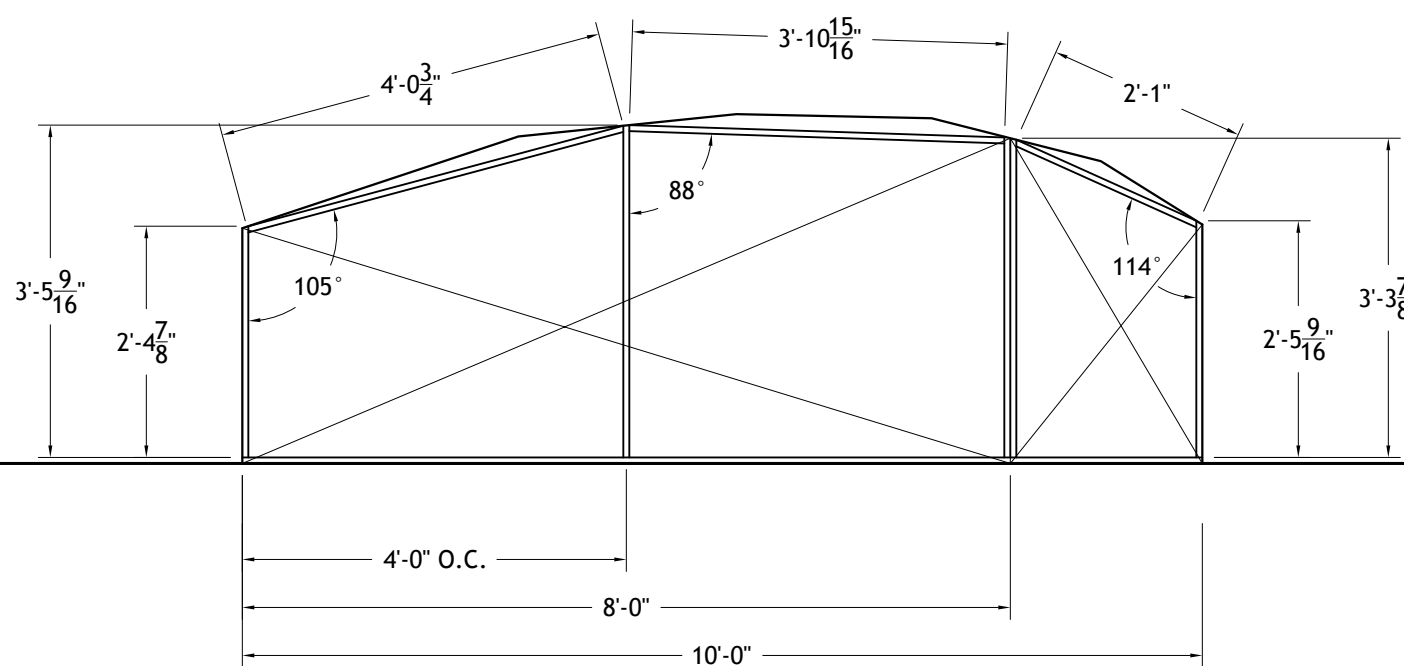
FRONT VIEW
FACE BOTH SIDES

1 WALL E
T11 SCALE: 1/2" = 1'-0" BUILD 1



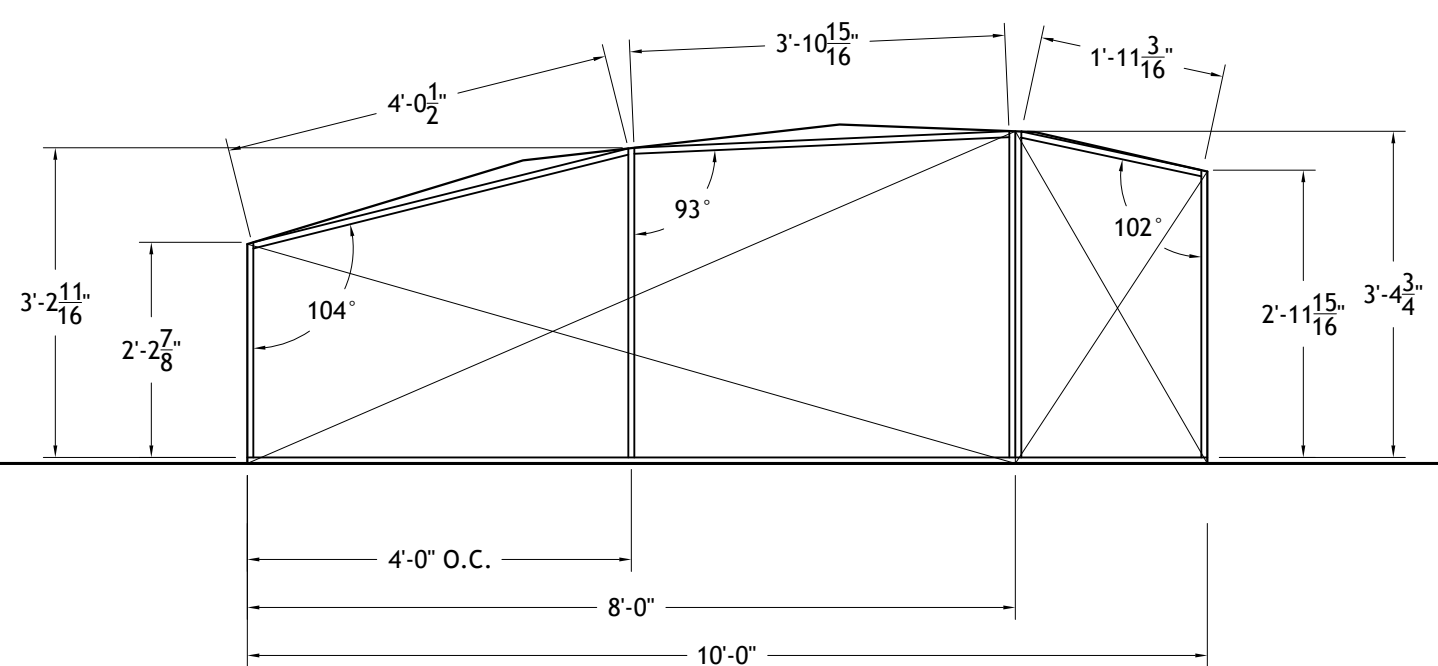
FRONT VIEW
FACE BOTH SIDES

2 WALL F
T11 SCALE: 1/2" = 1'-0" BUILD 1



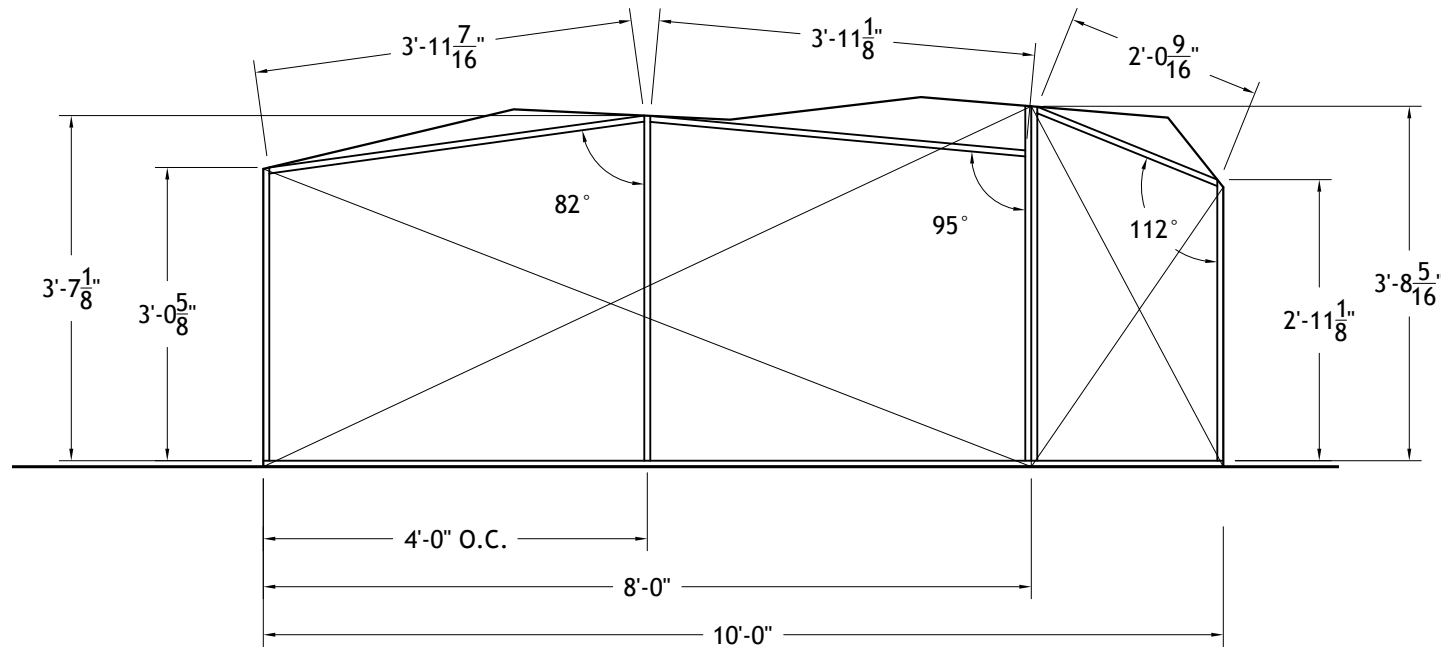
FRONT VIEW
FACE BOTH SIDES

3 WALL G
T11 SCALE: 1/2" = 1'-0" BUILD 1



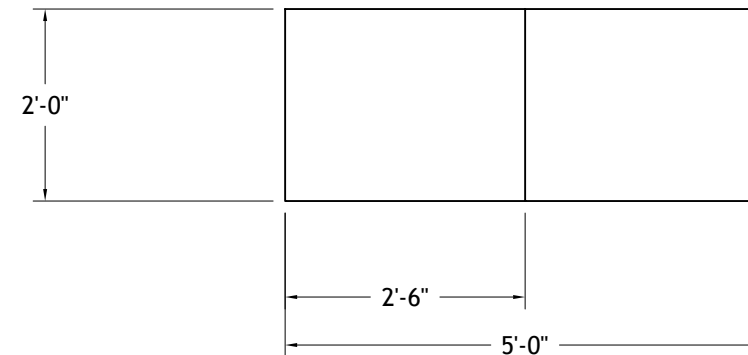
FRONT VIEW
FACE BOTH SIDES

4 WALL H
T11 SCALE: 1/2" = 1'-0" BUILD 1

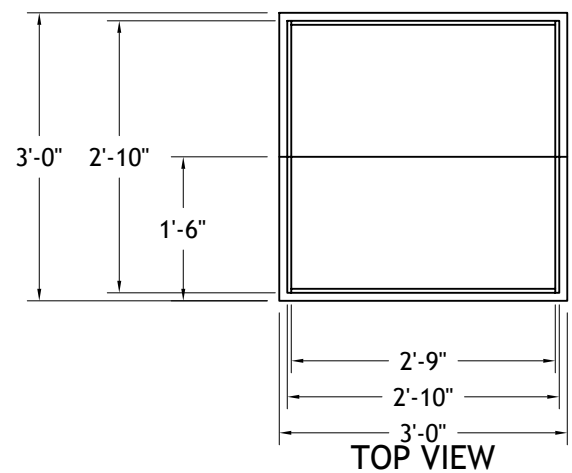


FRONT VIEW

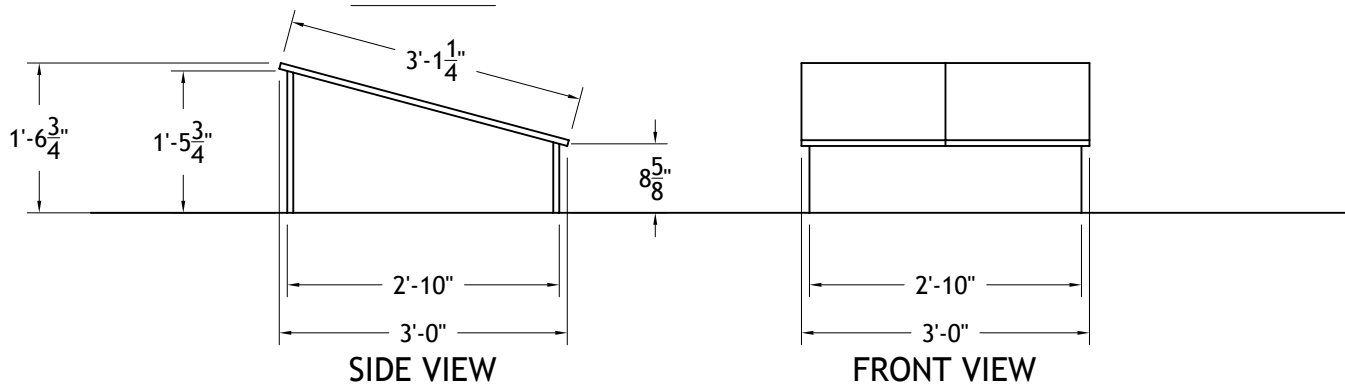
1 WALL J
 T12 SCALE: 1/2" = 1'-0" BUILD 1



TOP VIEW



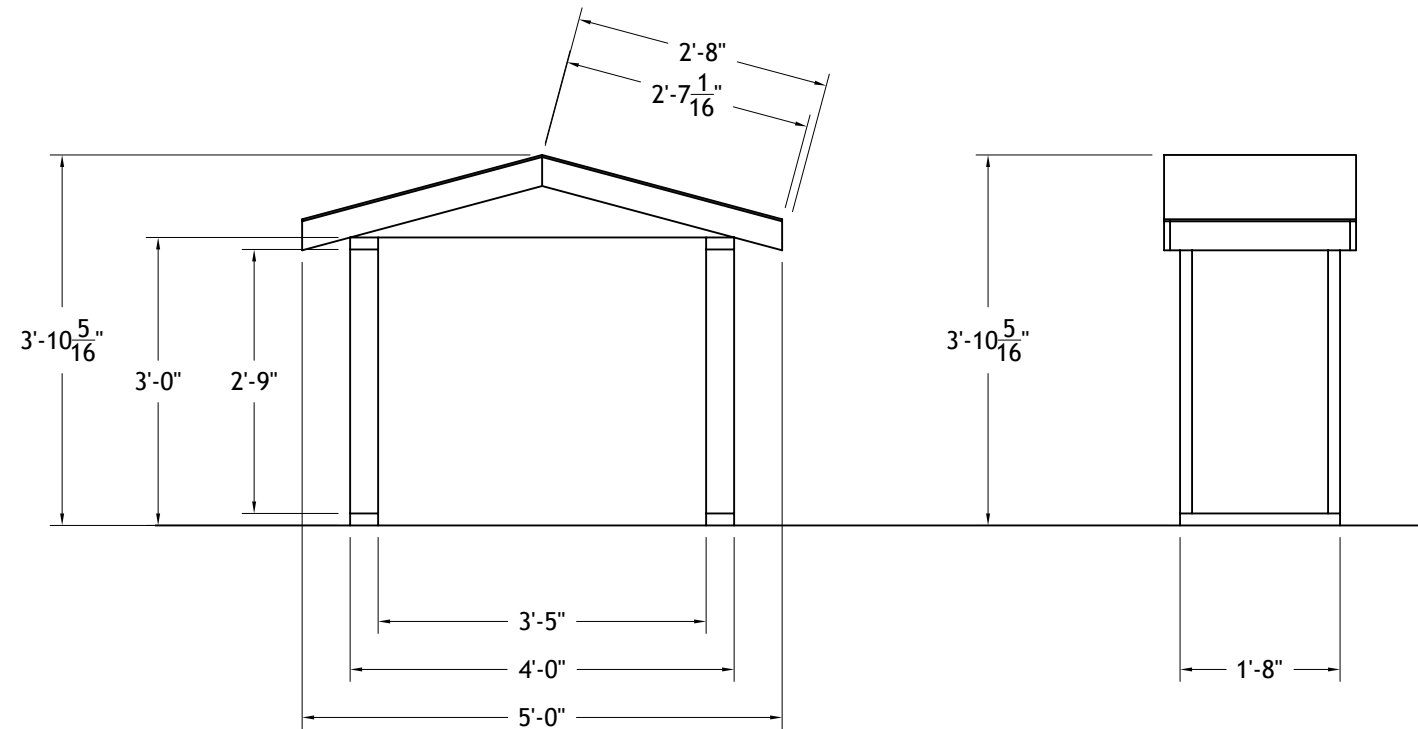
TOP VIEW



SIDE VIEW

FRONT VIEW

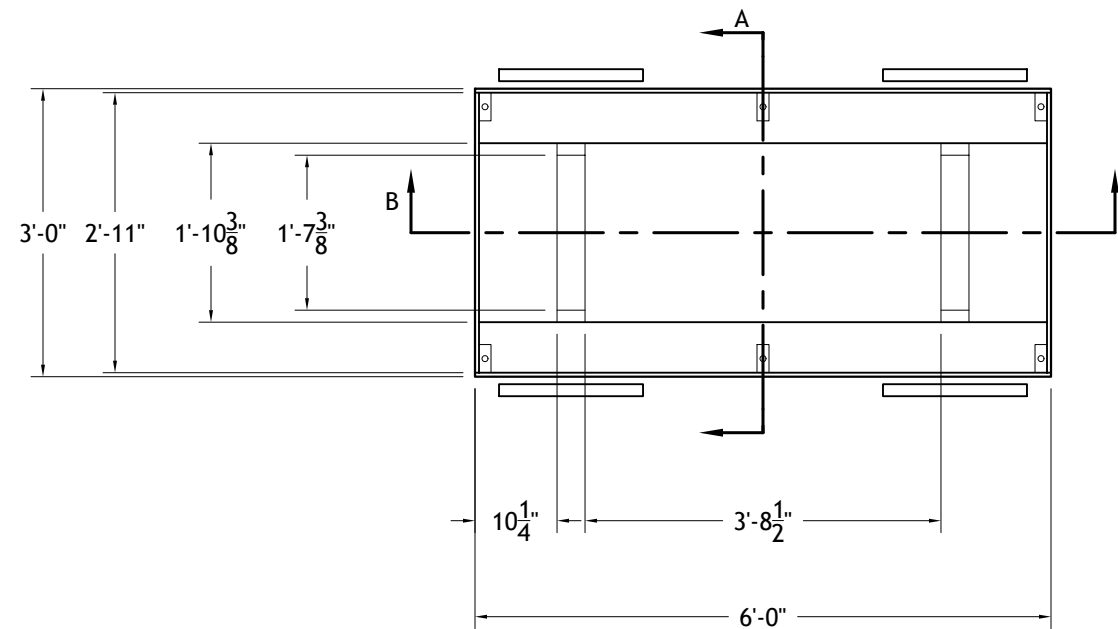
2 STORM CELLAR
 T12 SCALE: 1/2" = 1'-0" BUILD 1



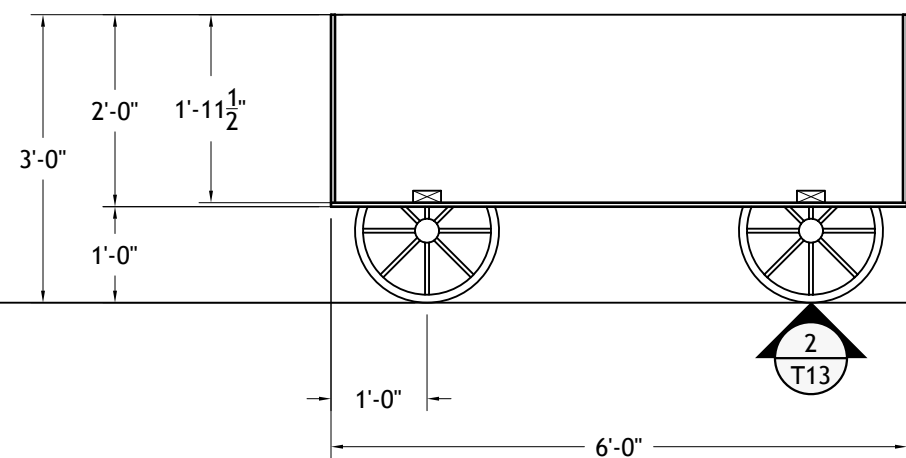
FRONT VIEW

SIDE VIEW

3 CHICKEN INCUBATOR
 T12 SCALE: 1/2" = 1'-0" BUILD 1

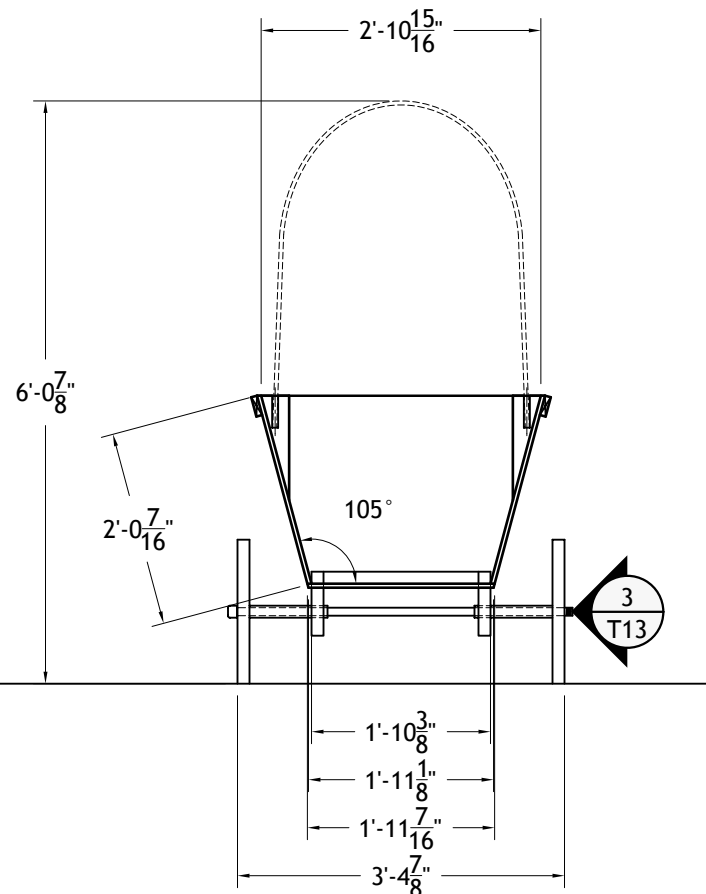


TOP VIEW



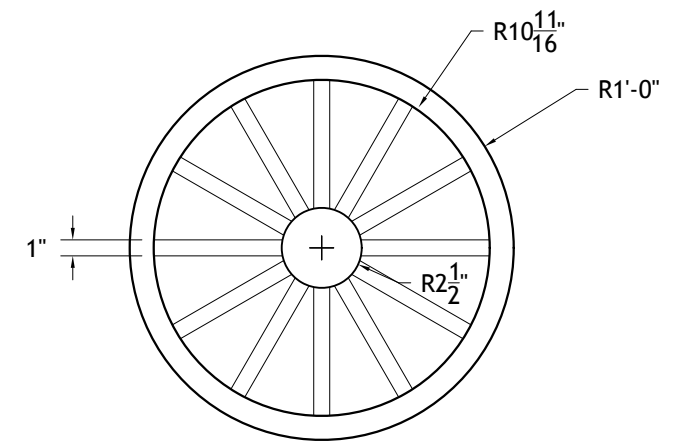
SECTION B

1 WAGON | CARAVAN
T13 SCALE: 1/2" = 1'-0" BUILD 1

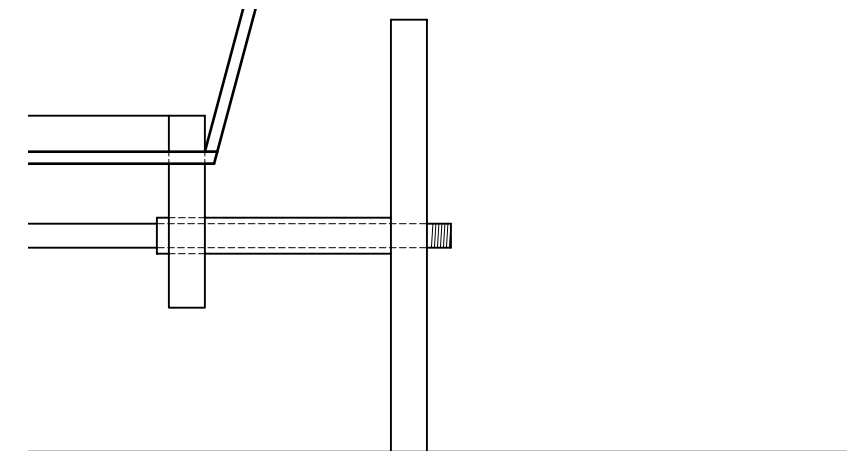


SECTION A

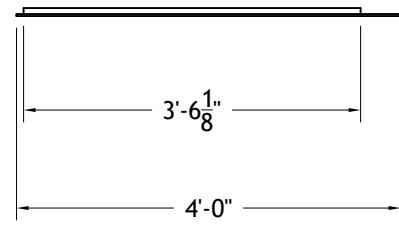
3 AXEL DETAIL
T13 SCALE: 1-1/2" = 1'-0" BUILD 2



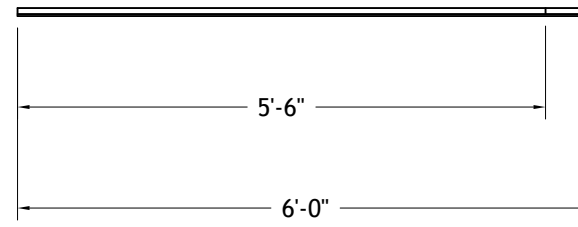
2 WHEEL DETAIL
T13 SCALE: 1" = 1'-0" BUILD 4



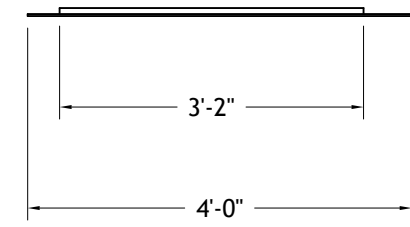
3 AXEL DETAIL
T13 SCALE: 1-1/2" = 1'-0" BUILD 2



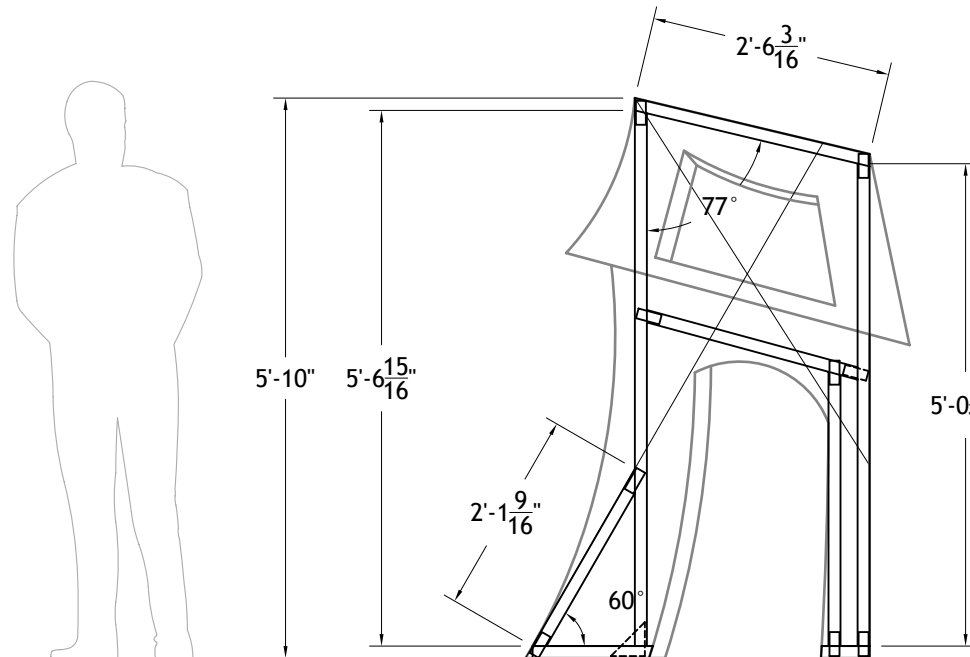
TOP VIEW



TOP VIEW

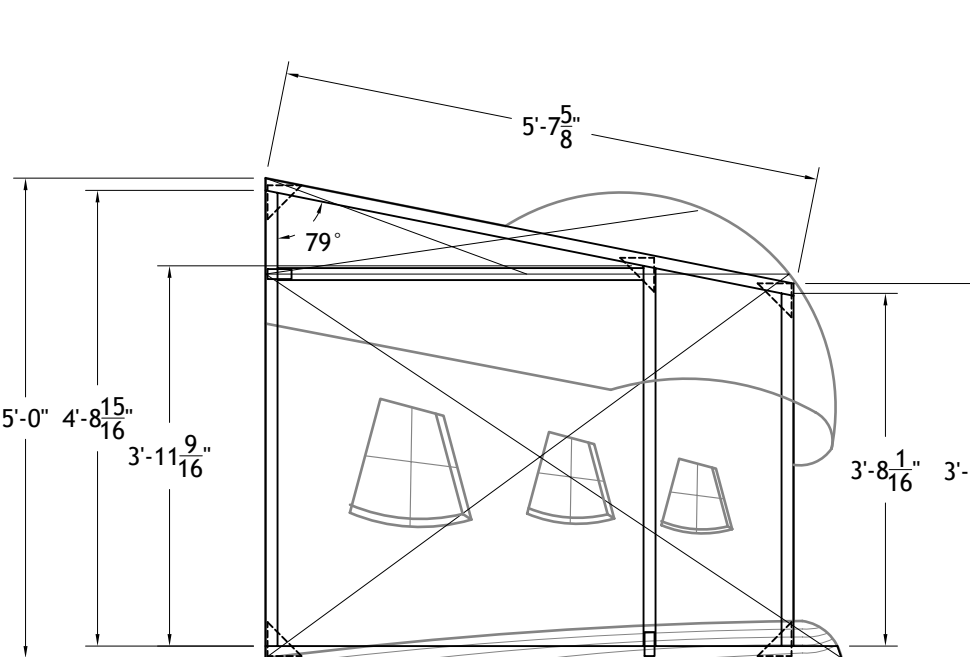


TOP VIEW



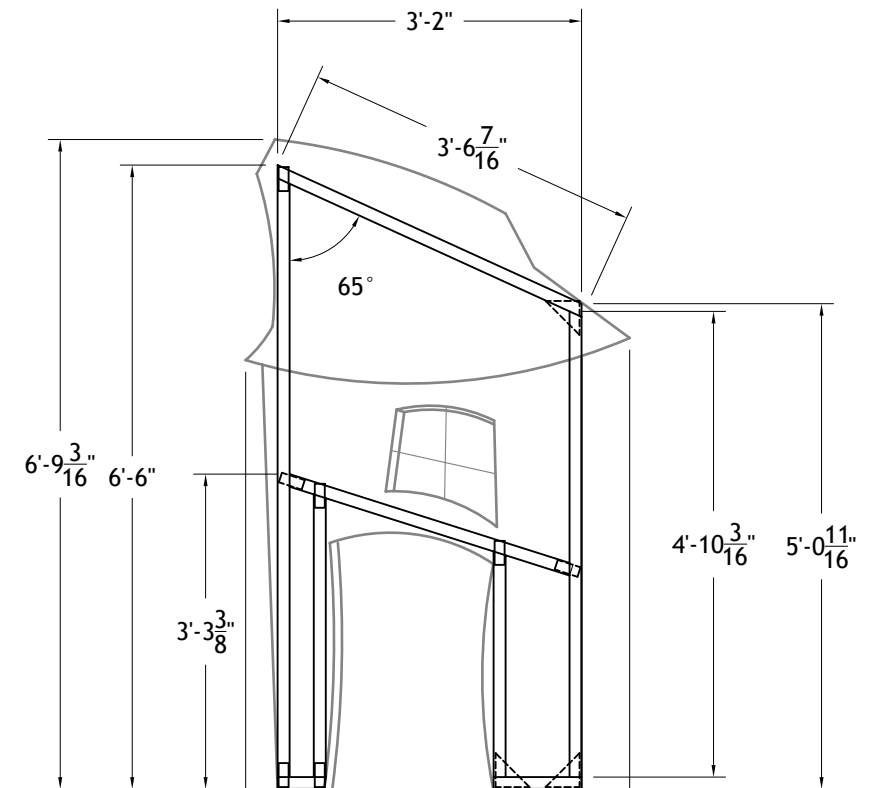
FRONT VIEW

1 MUNCHKIN HOUSE WALL K
T14 SCALE: 1/2" = 1'-0" BUILD 1



FRONT VIEW

2 MUNCHKIN HOUSE WALL L
T14 SCALE: 1/2" = 1'-0" BUILD 1

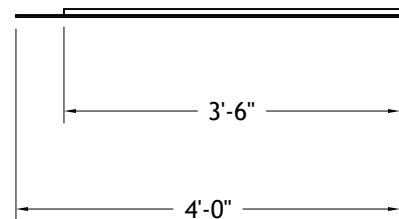


FRONT VIEW

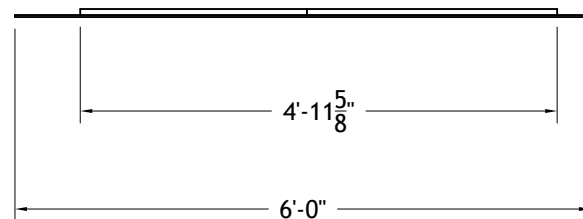
3 MUNCHKIN HOUSE WALL M
T14 SCALE: 1/2" = 1'-0" BUILD 1

NOTES:

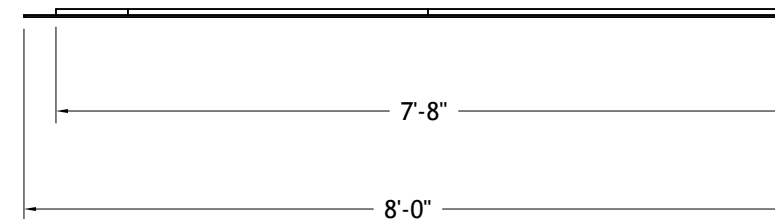
- USE 1X2 FOR ALL FRAMING CONSTRUCTION
- FACE WITH 1/8" MASO
- GLUE AND STAPLE ALL CORNER BLOCKS AND STRAPS ON THE BACK SIDE OF THE UNIT



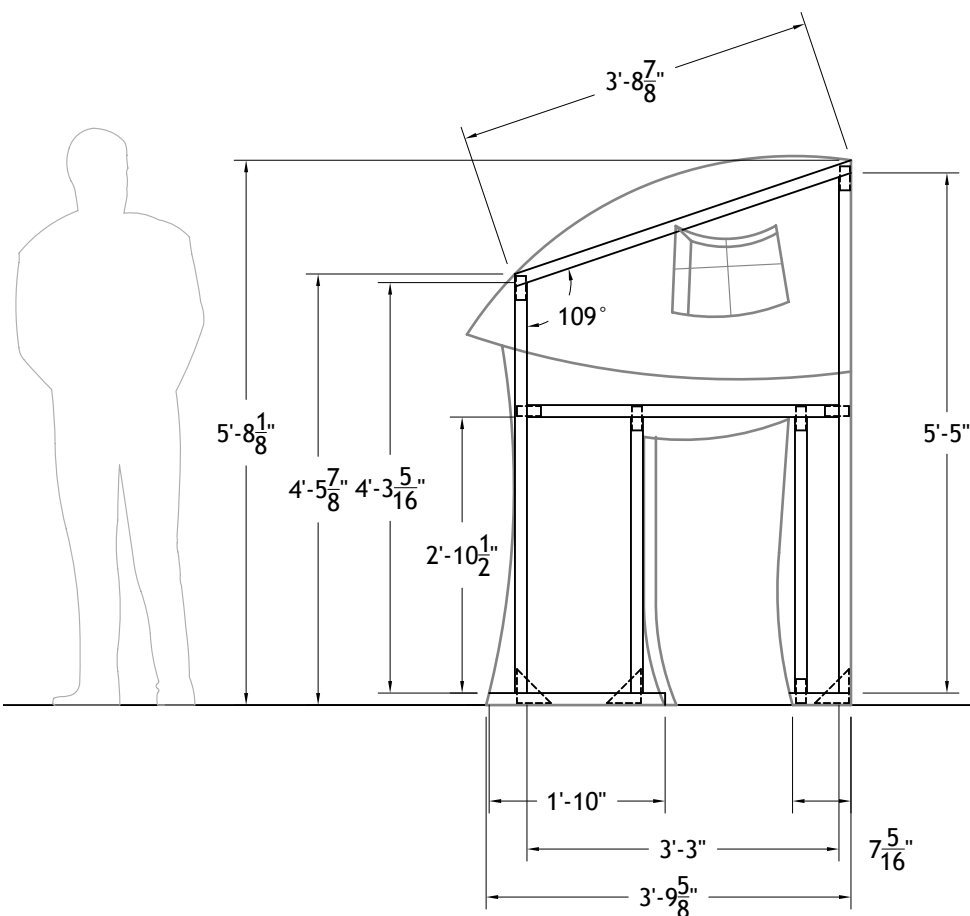
TOP VIEW



TOP VIEW

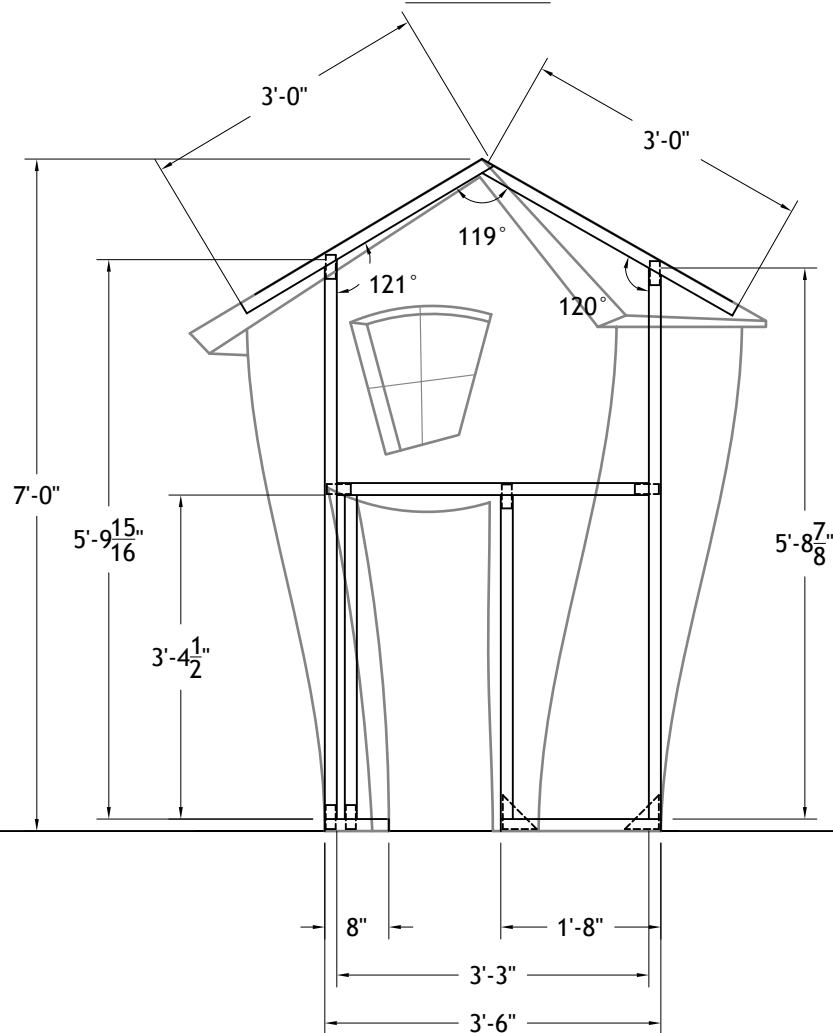


TOP VIEW



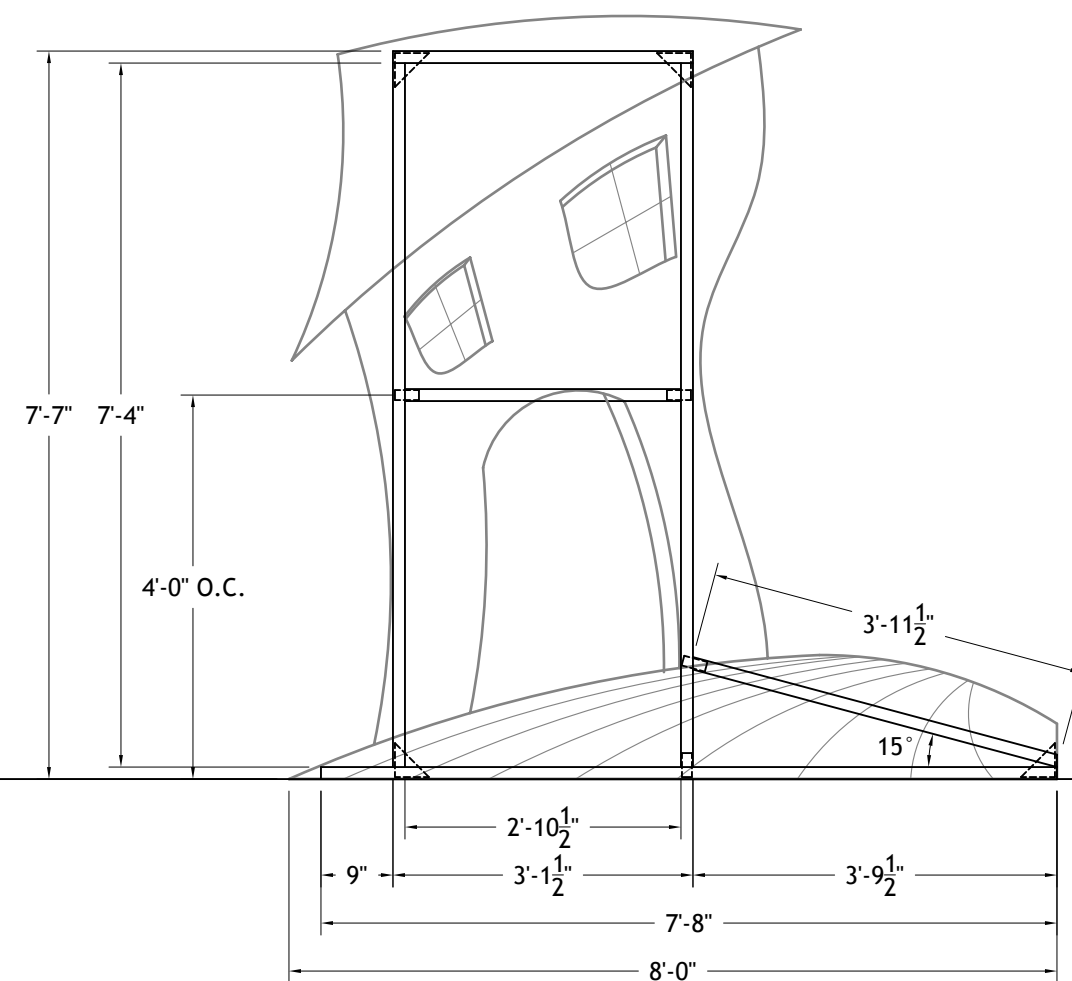
FRONT VIEW

1 MUNCHKIN HOUSE WALL N
T15 SCALE: 1/2" = 1'-0" BUILD 1



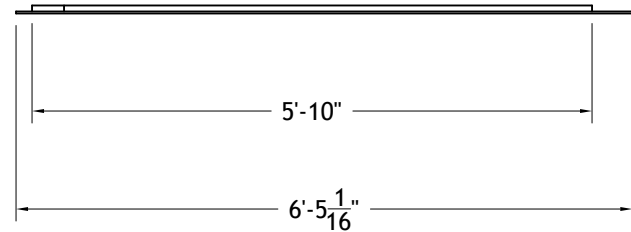
FRONT VIEW

2 MUNCHKIN HOUSE WALL P
T15 SCALE: 1/2" = 1'-0" BUILD 1

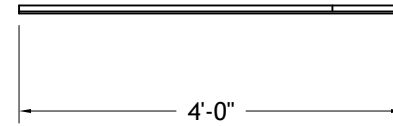


FRONT VIEW

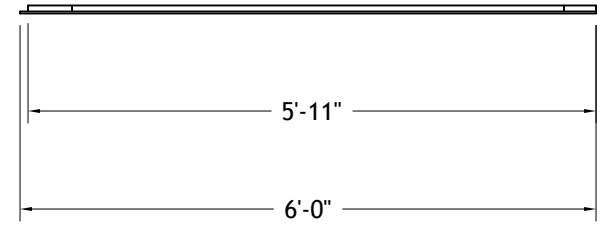
3 MUNCHKIN HOUSE WALL Q
T15 SCALE: 1/2" = 1'-0" BUILD 1



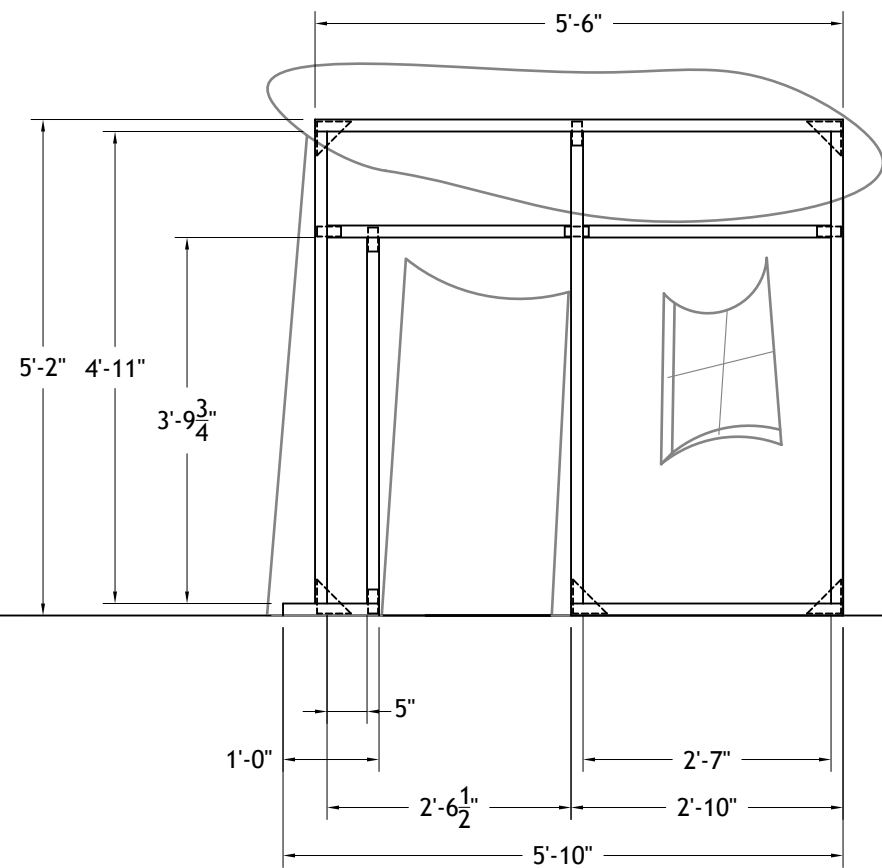
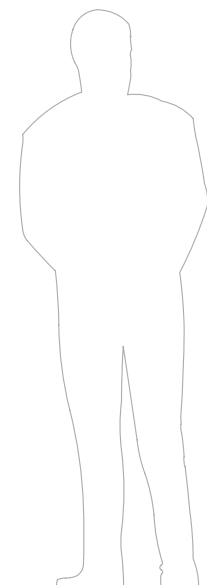
TOP VIEW



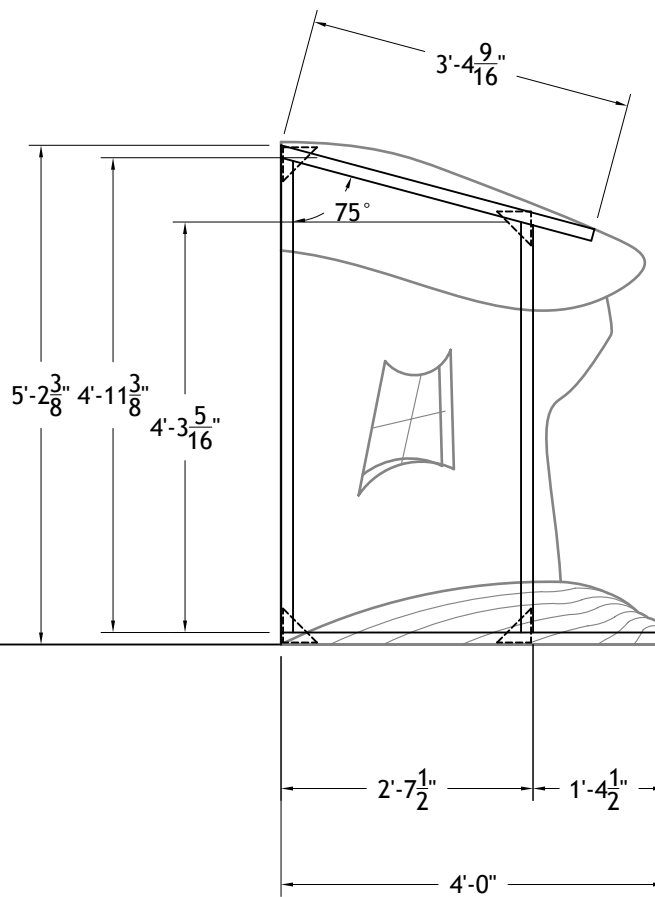
TOP VIEW



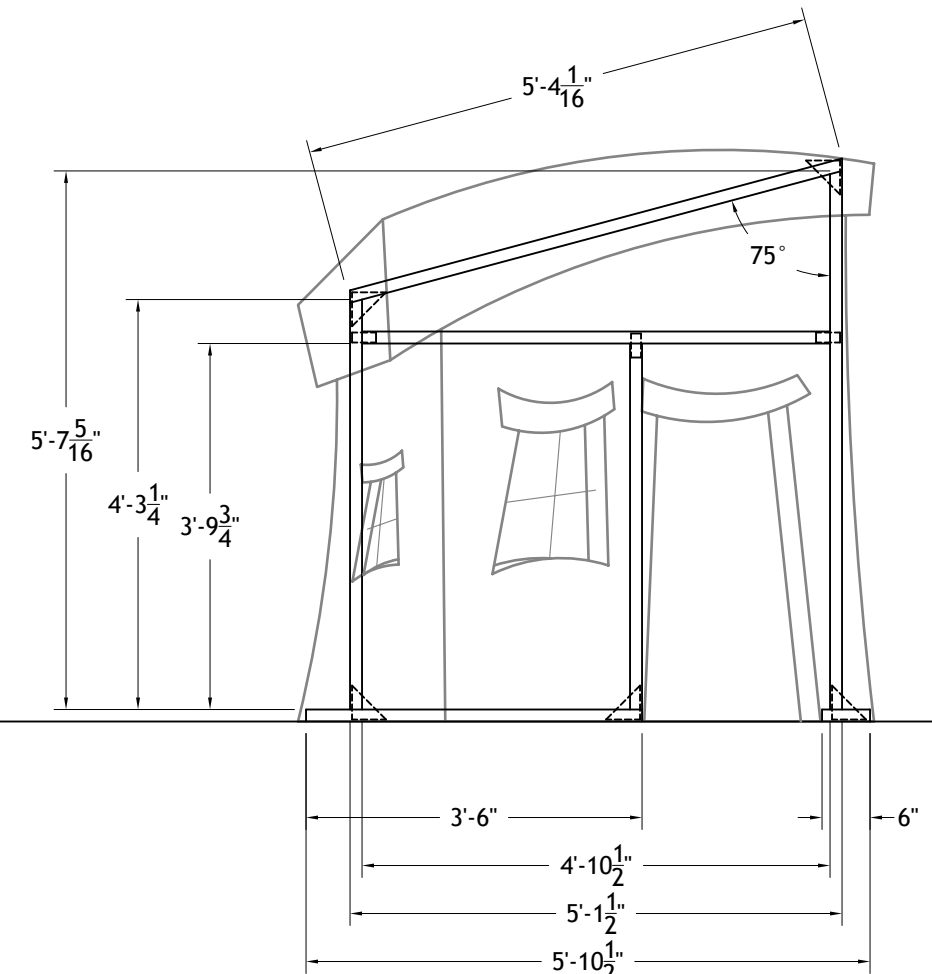
TOP VIEW



FRONT VIEW



FRONT VIEW

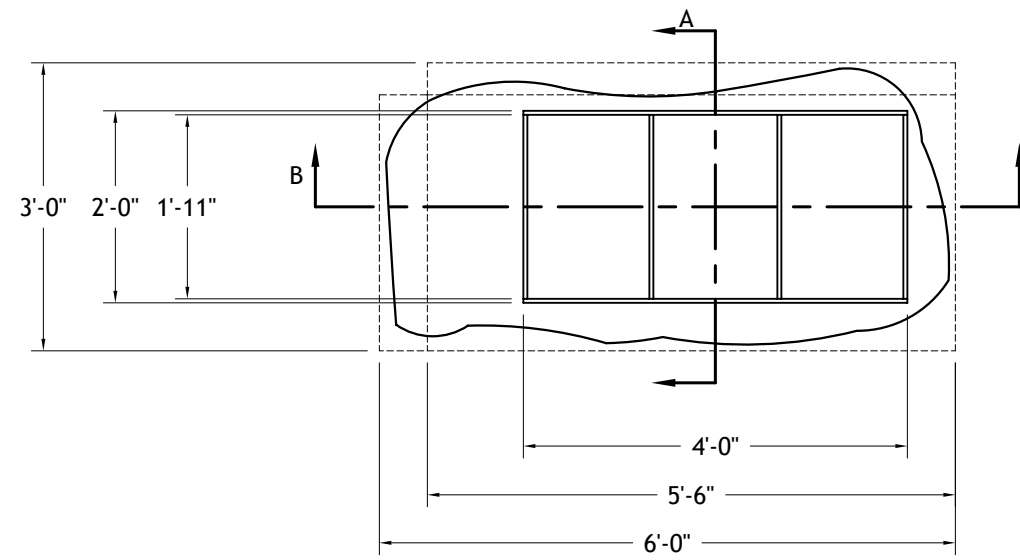


FRONT VIEW

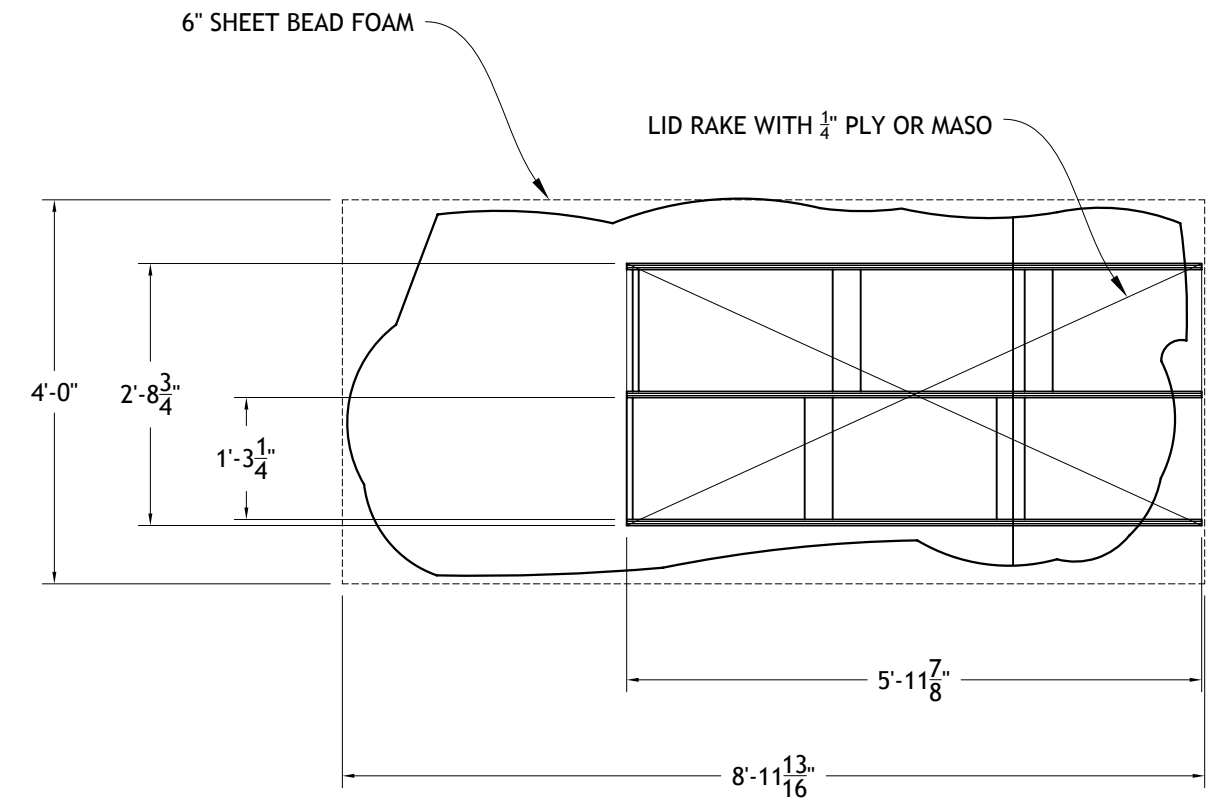
1 MUNCHKIN HOUSE WALL R
T16 SCALE: 1/2" = 1'-0" BUILD 1

2 MUNCHKIN HOUSE WALL S
T16 SCALE: 1/2" = 1'-0" BUILD 1

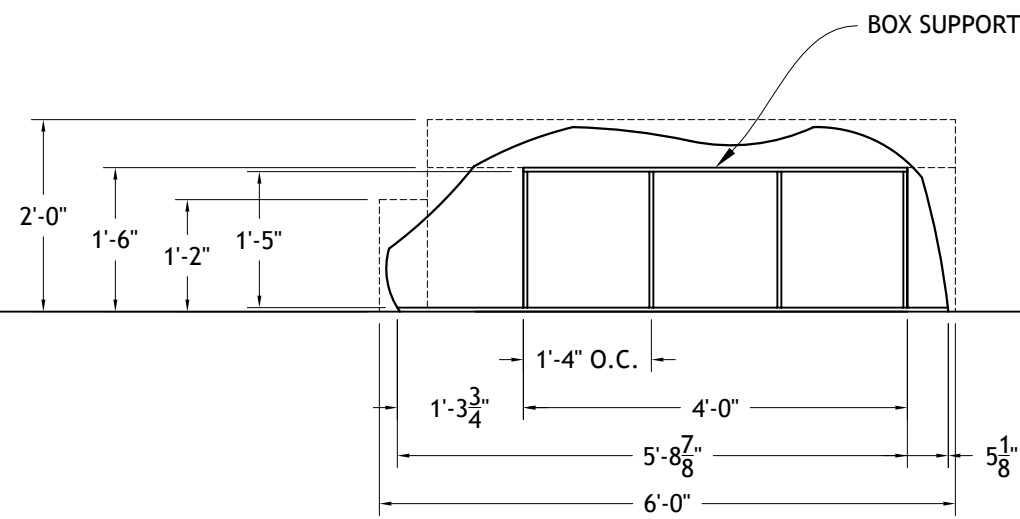
3 MUNCHKIN HOUSE WALL T
T16 SCALE: 1/2" = 1'-0" BUILD 1



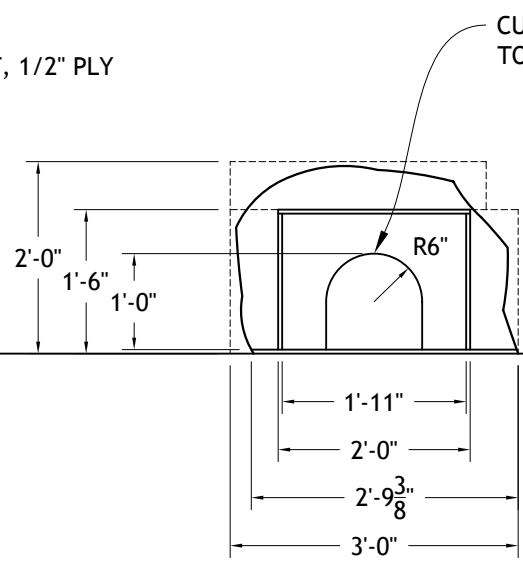
TOP VIEW



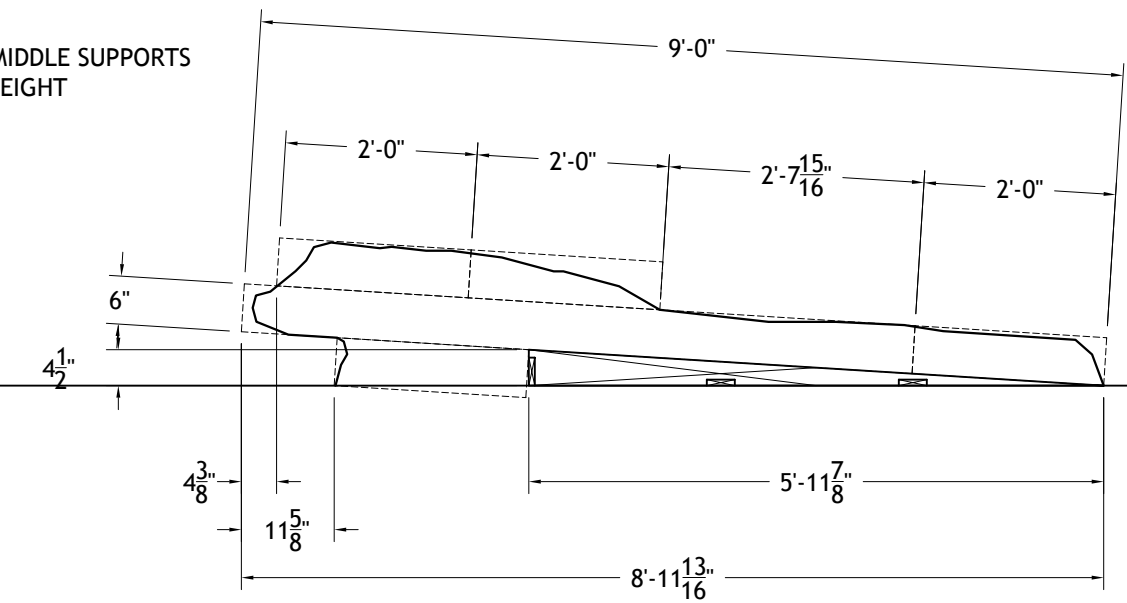
TOP VIEW



SECTION B



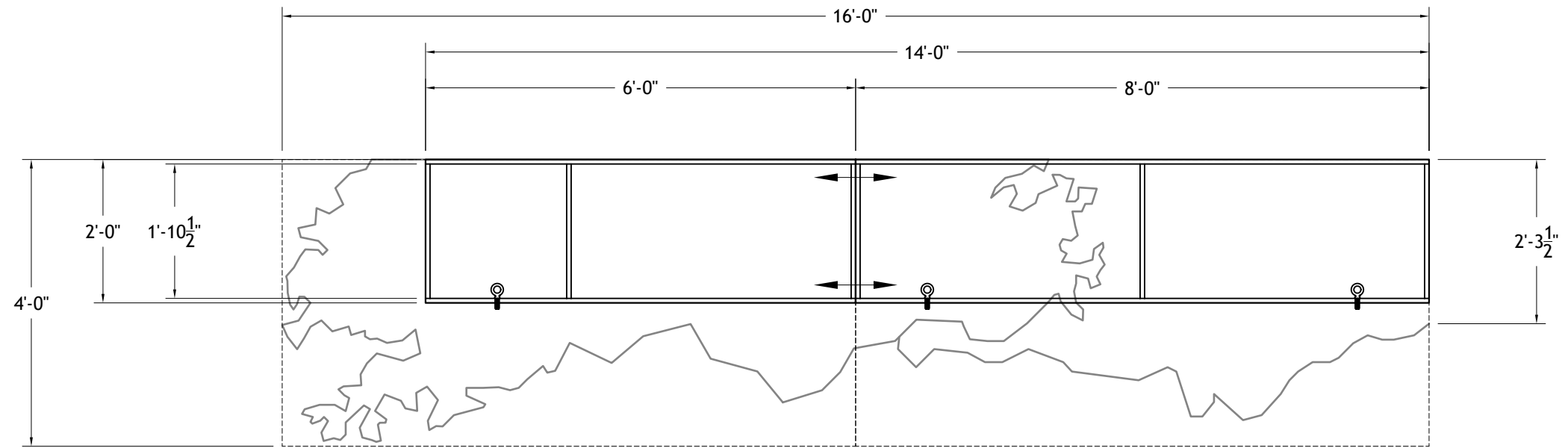
SECTION A



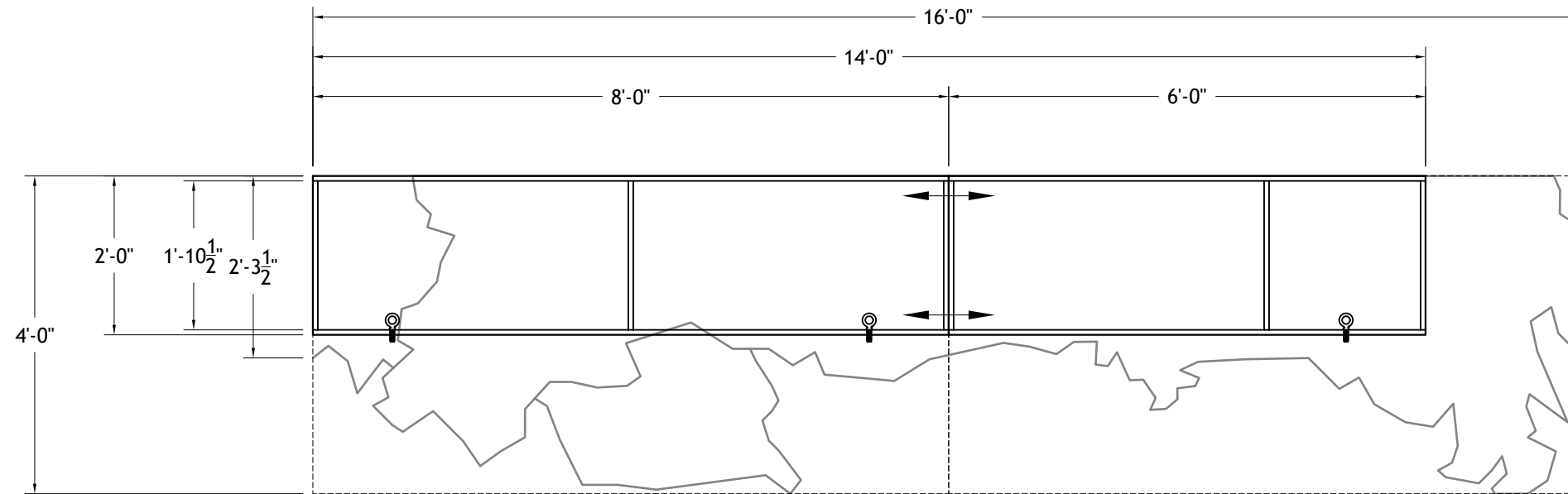
FRONT VIEW

1 BOULDER
T17 SCALE: 1/2" = 1'-0" BUILD 1

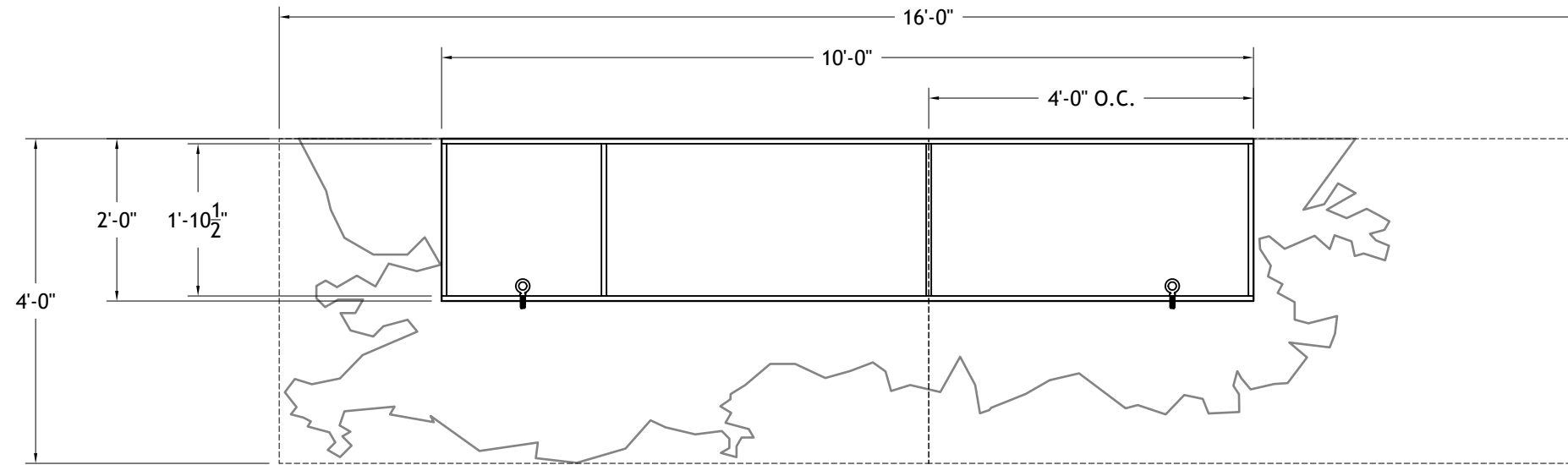
2 SLANTED ROCK
T17 SCALE: 1/2" = 1'-0" BUILD 1



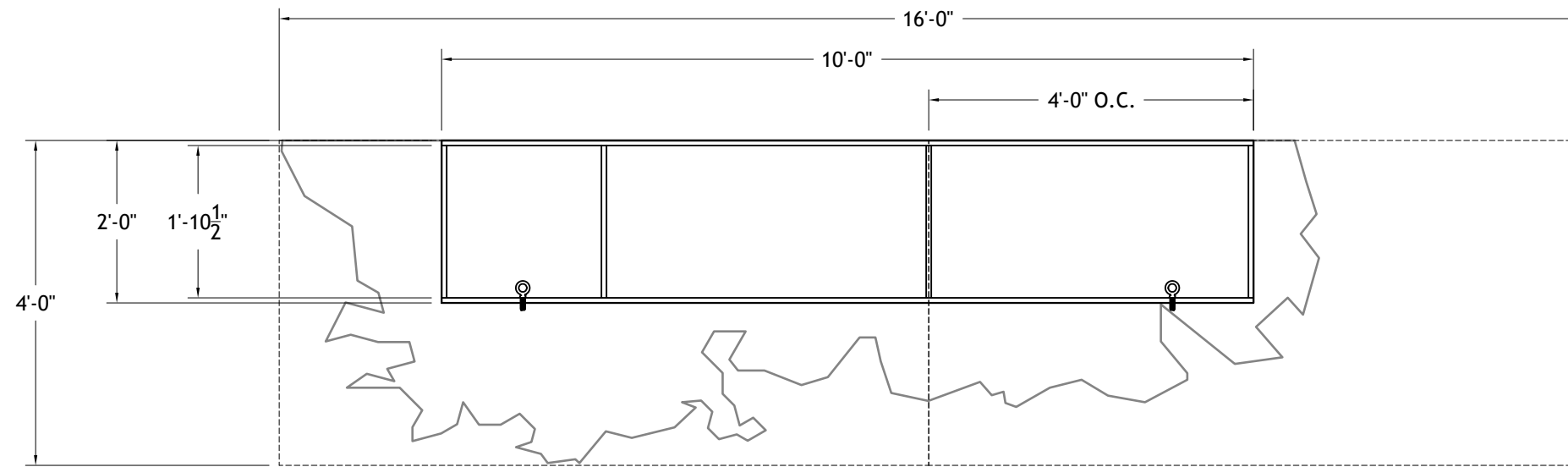
1 USR TREE TOP
T18 SCALE: 1/2" = 1'-0" BUILD 1



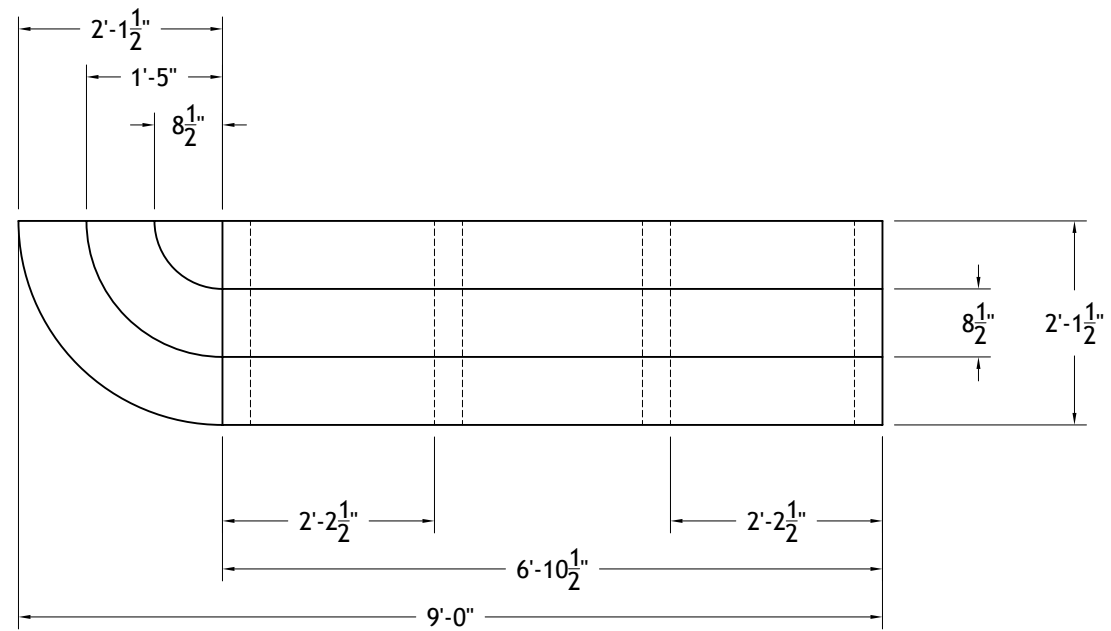
2 USL TREE TOP
T18 SCALE: 1/2" = 1'-0" BUILD 1



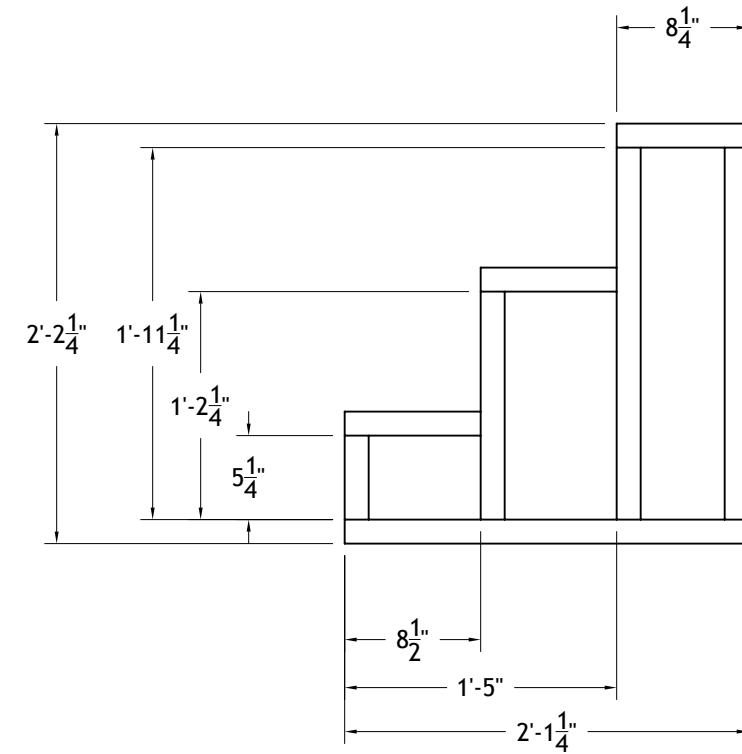
1 DSR TREE TOP
T19 SCALE: 1/2" = 1'-0" BUILD 1



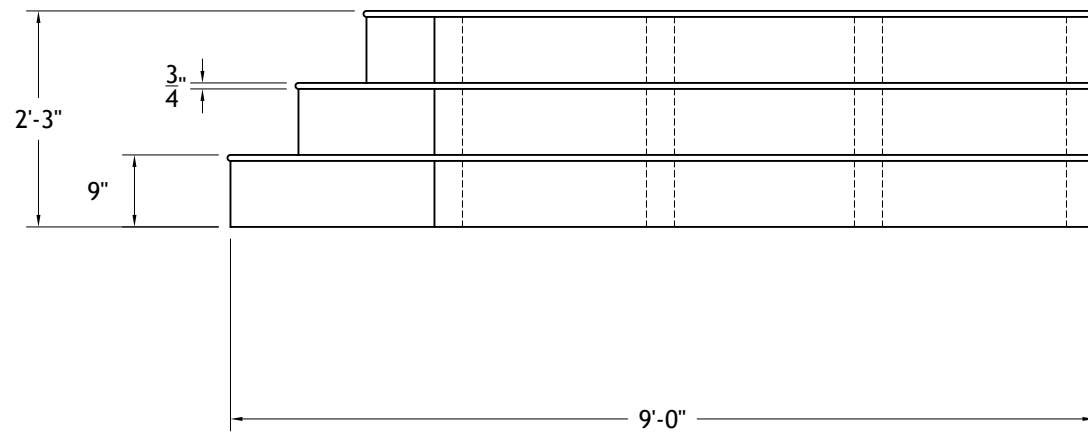
2 DSL TREE TOP
T19 SCALE: 1/2" = 1'-0" BUILD 1



FRONT VIEW

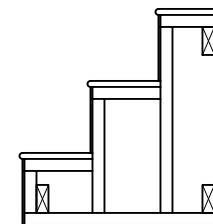


2 WIZARD STAIR CARRIAGE
T20 SCALE: 1" = 1'-0" BUILD 8

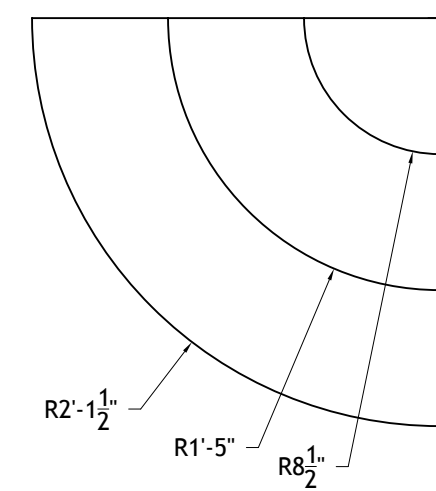


FRONT VIEW
FACING REMOVED

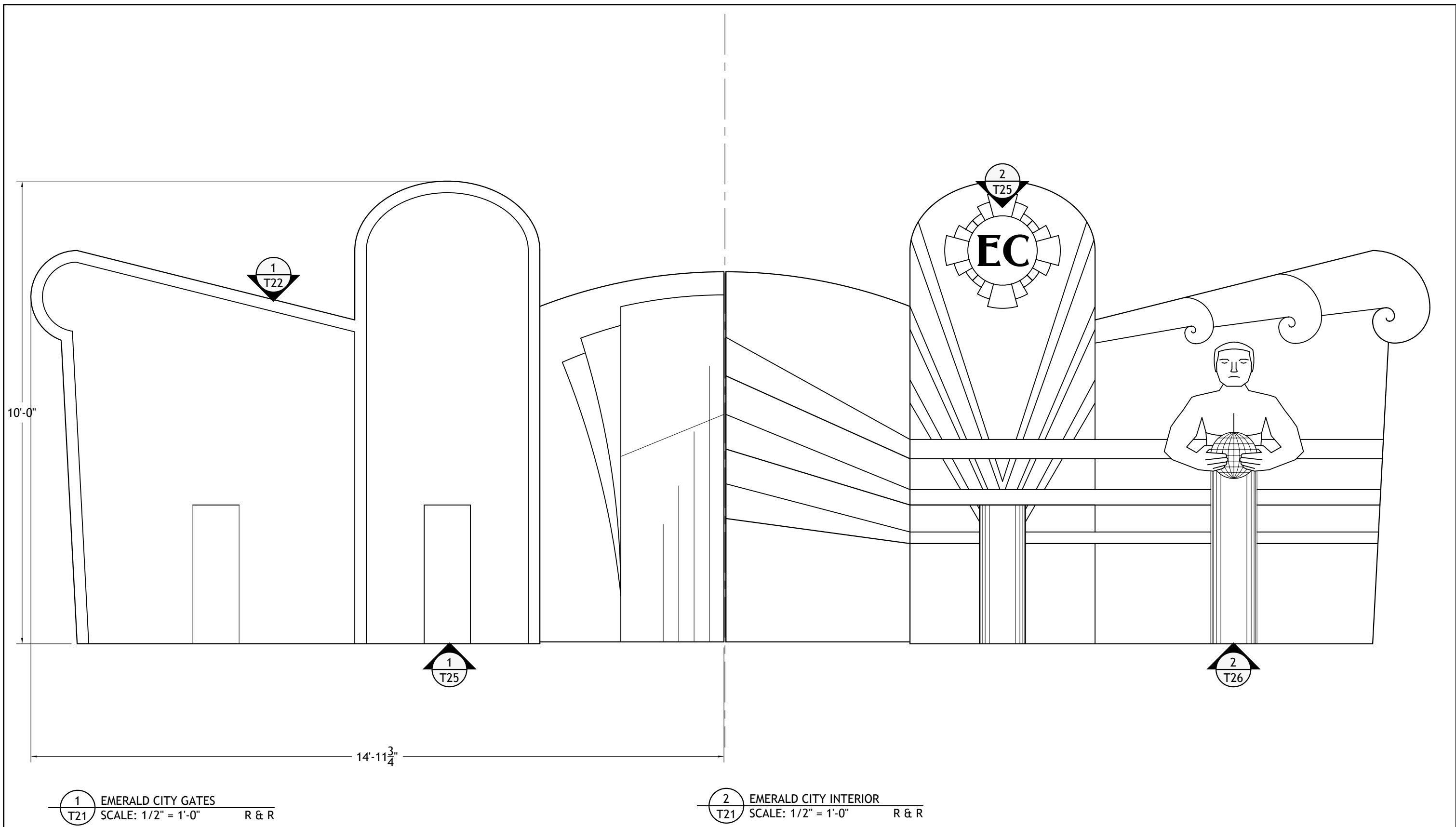
1 WIZARD STAIR
T20 SCALE: 1/2" = 1'-0" R & R

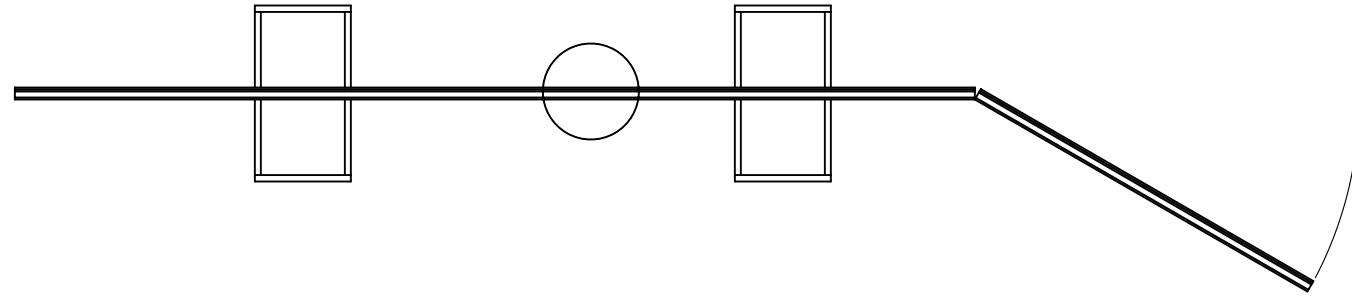


SECTION VIEW

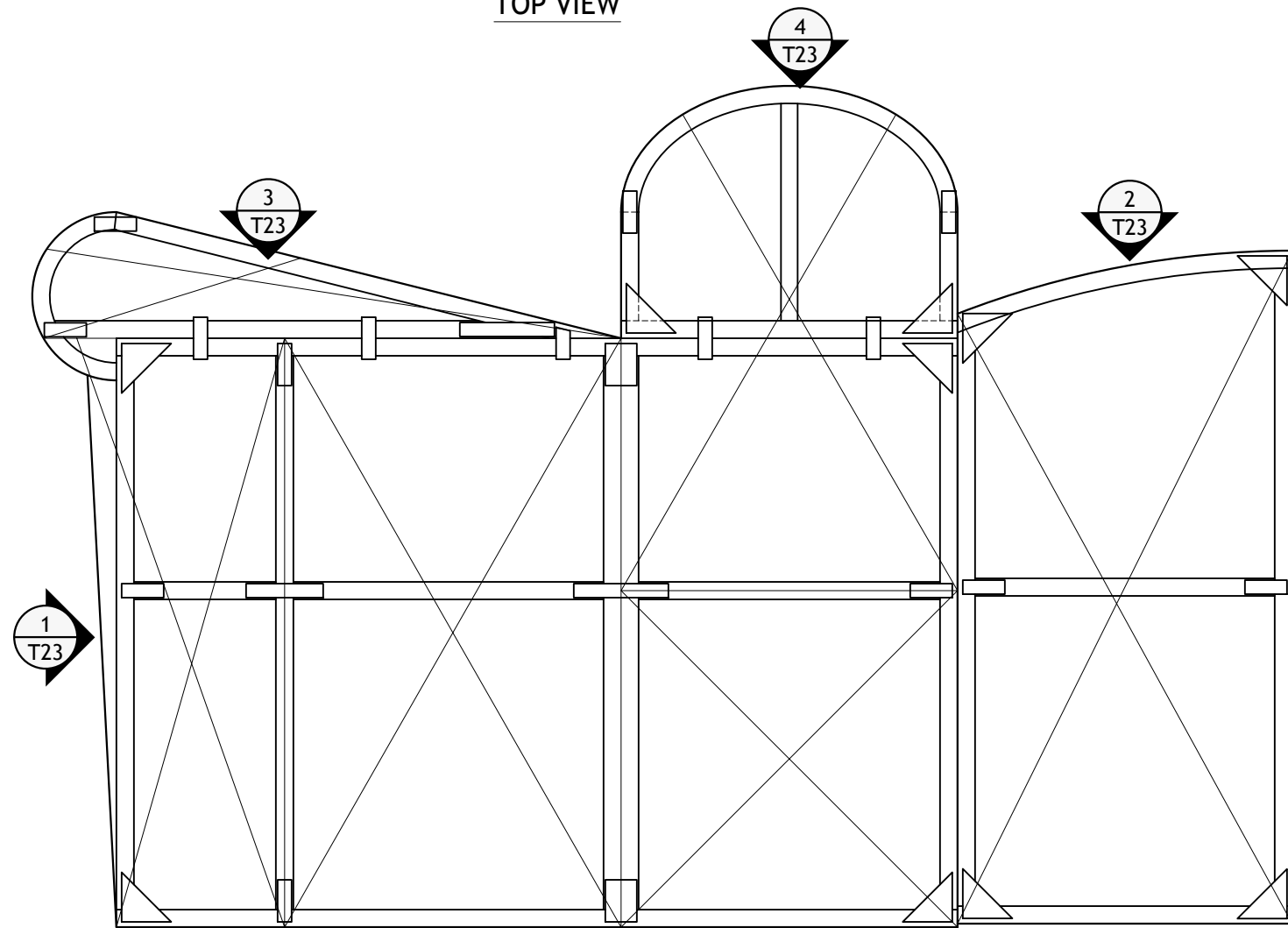


3 MUNCHKIN HOUSE WALL H
T20 SCALE: 1" = 1'-0" BUILD 2

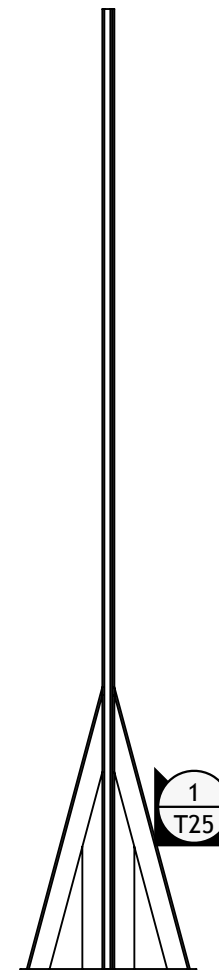




TOP VIEW



FRONT VIEW

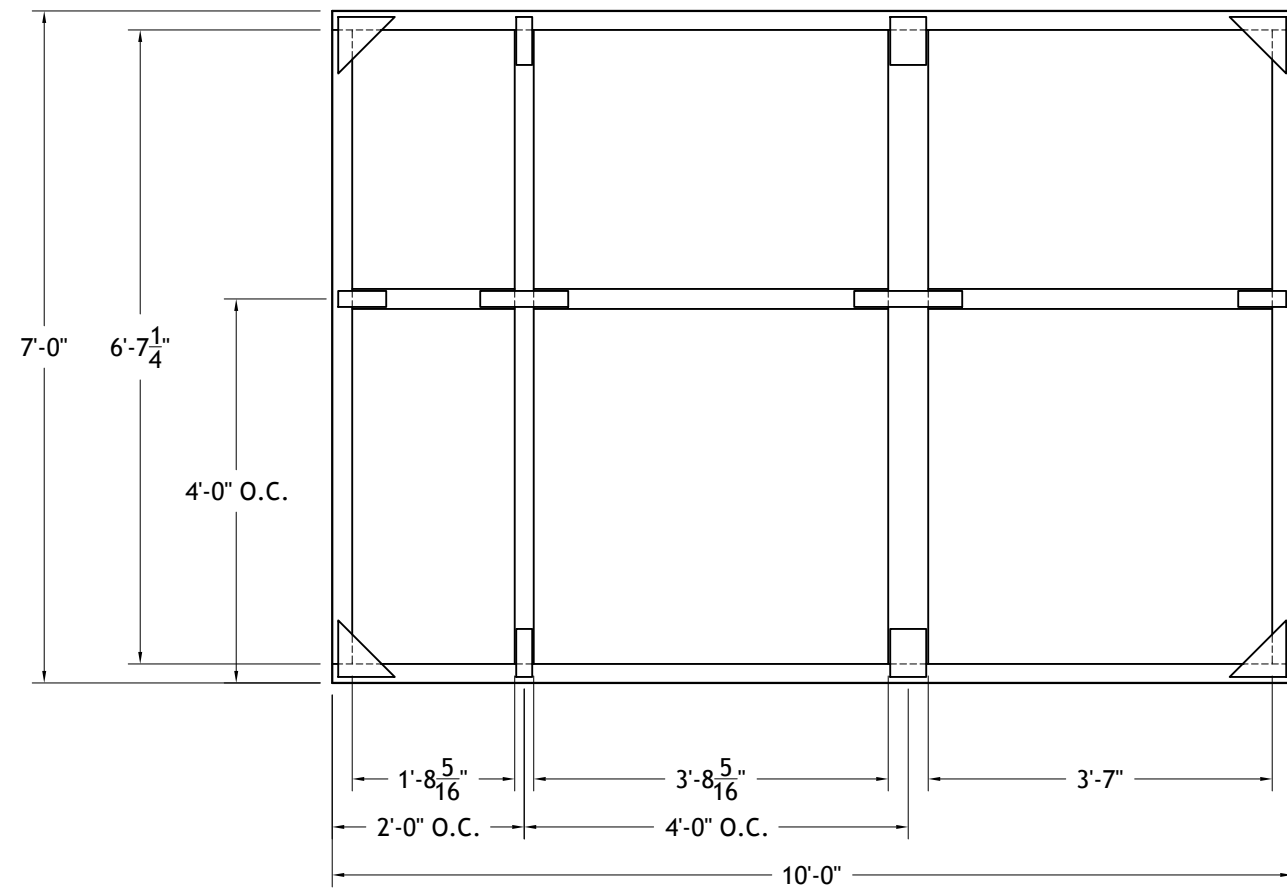


SIDE VIEW

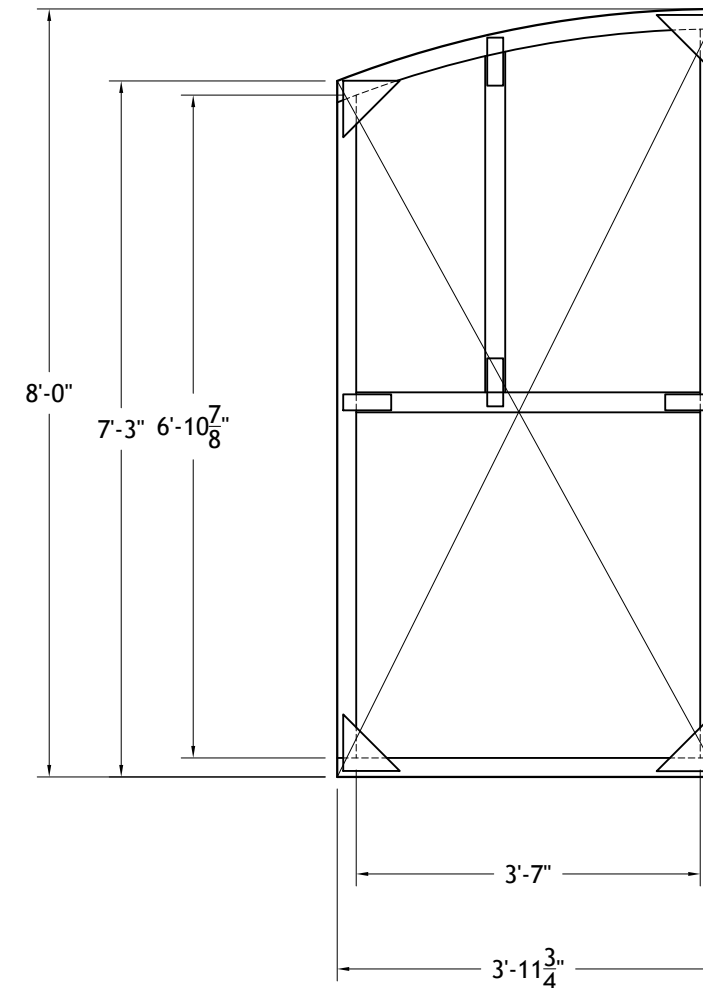
1 EMERALD CITY WALLS COMPOSITE
T22 SCALE: 1/2" = 1'-0" R & R

NOTES:

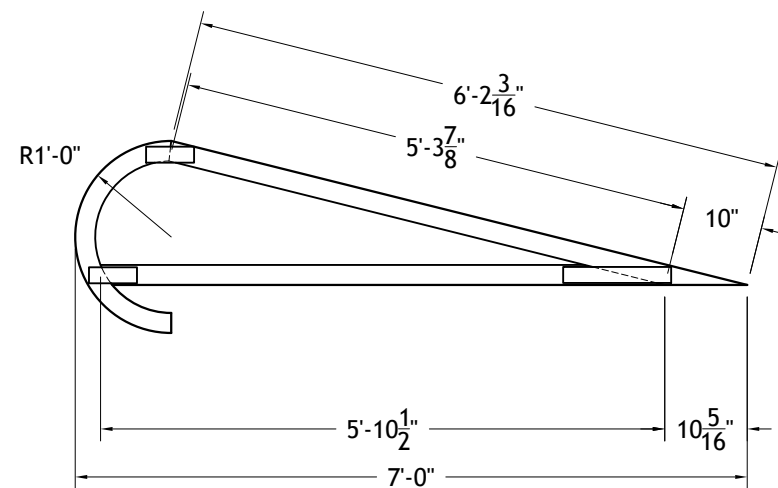
--WALLS PIVOT BETWEEN EMERALD CITY GATES AND EMERALD CITY INTERIOR SIDES



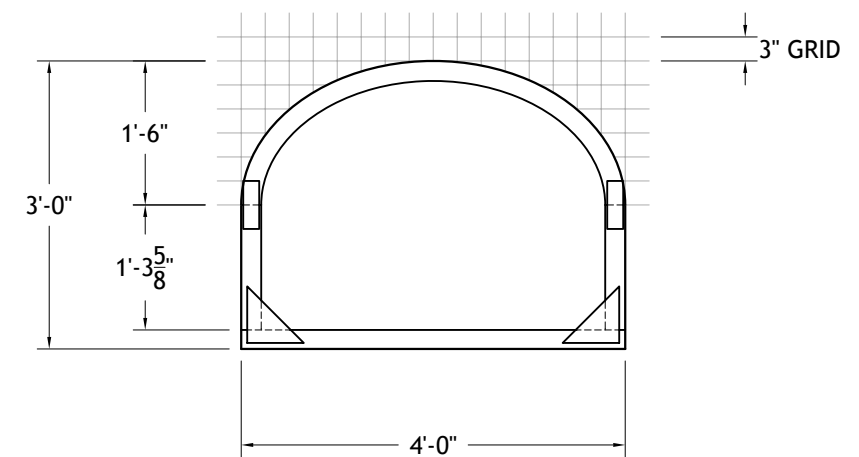
1 EMERALD CITY PIVOT WALL
T23 SCALE: 1/2" = 1'-0" R & R



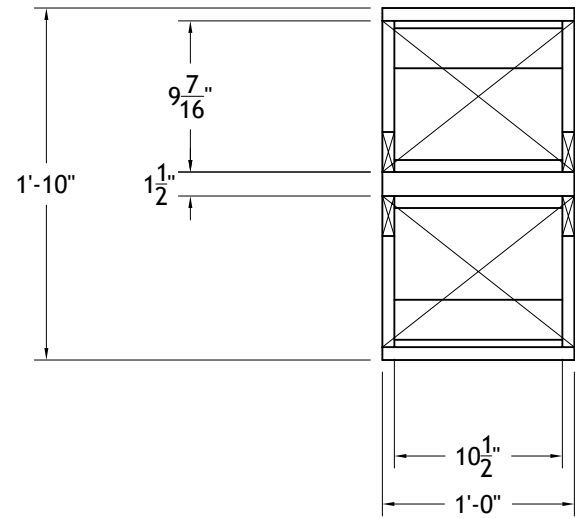
2 EMERALD CITY DOOR
T23 SCALE: 1/2" = 1'-0" R & R



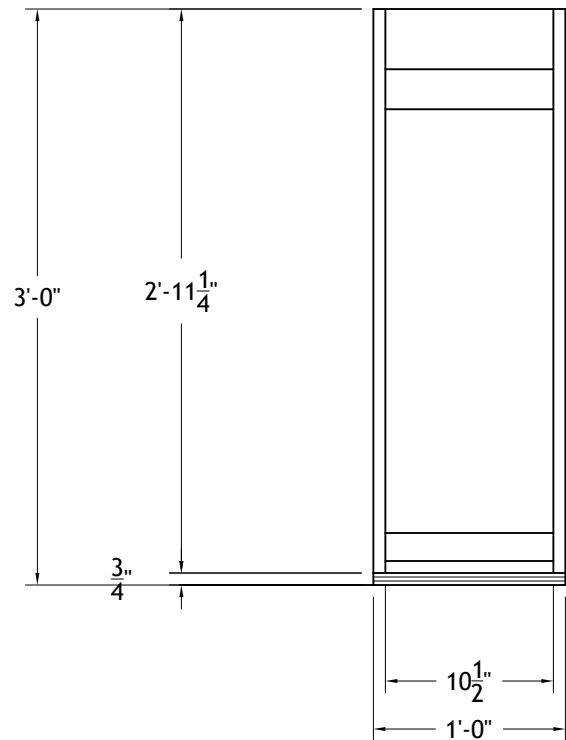
3 EMERALD CITY TOP SIDE WALL
T23 SCALE: 1/2" = 1'-0" R & R



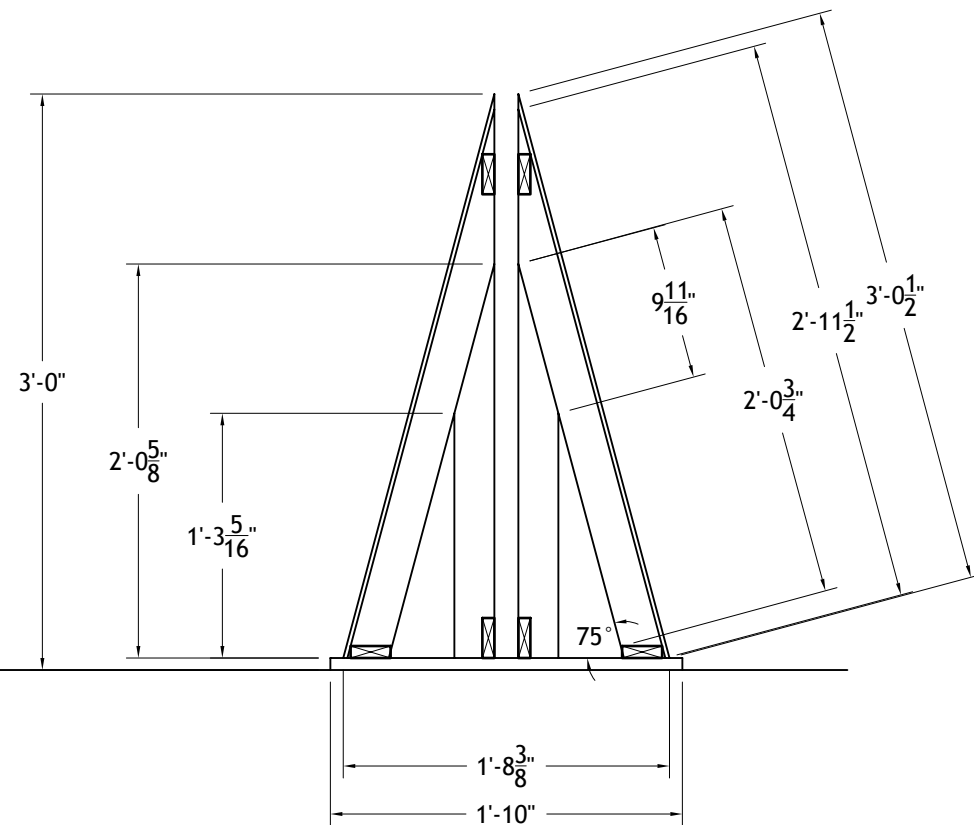
4 EMERALD CITY TOP WALL
T23 SCALE: 1/2" = 1'-0" R & R



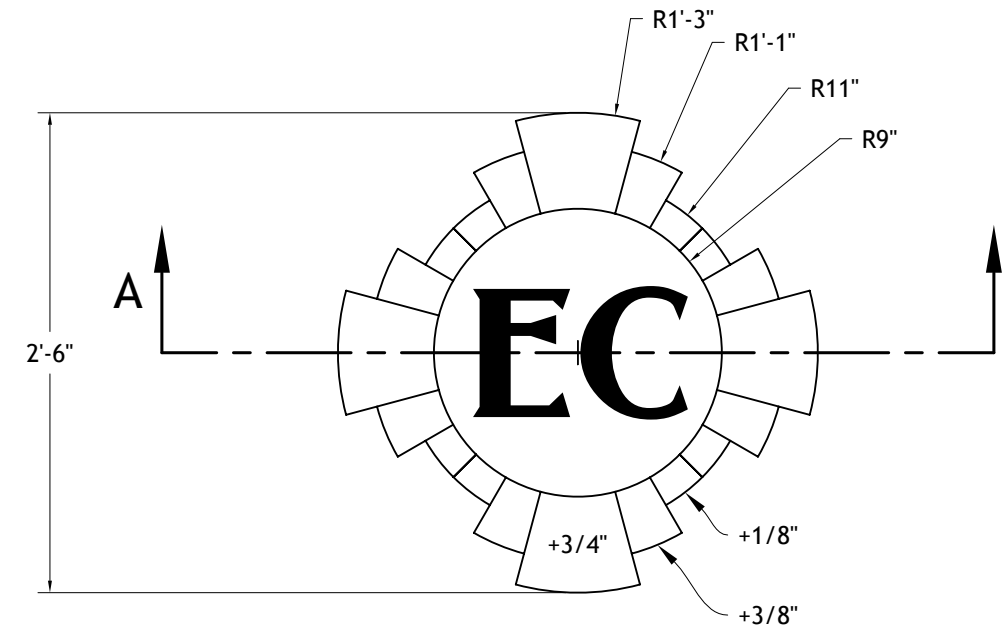
TOP VIEW
FACING REMOVED



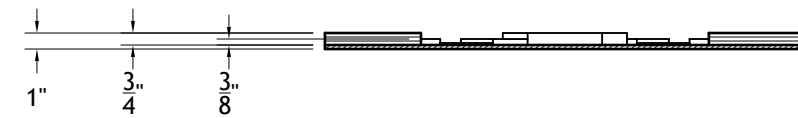
FRONT VIEW



SECTION VIEW



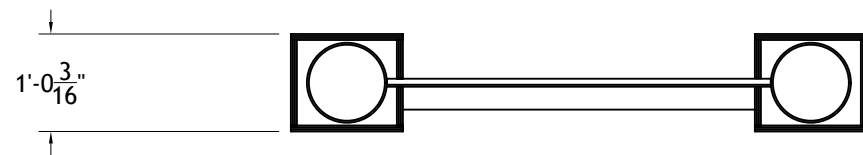
FRONT VIEW



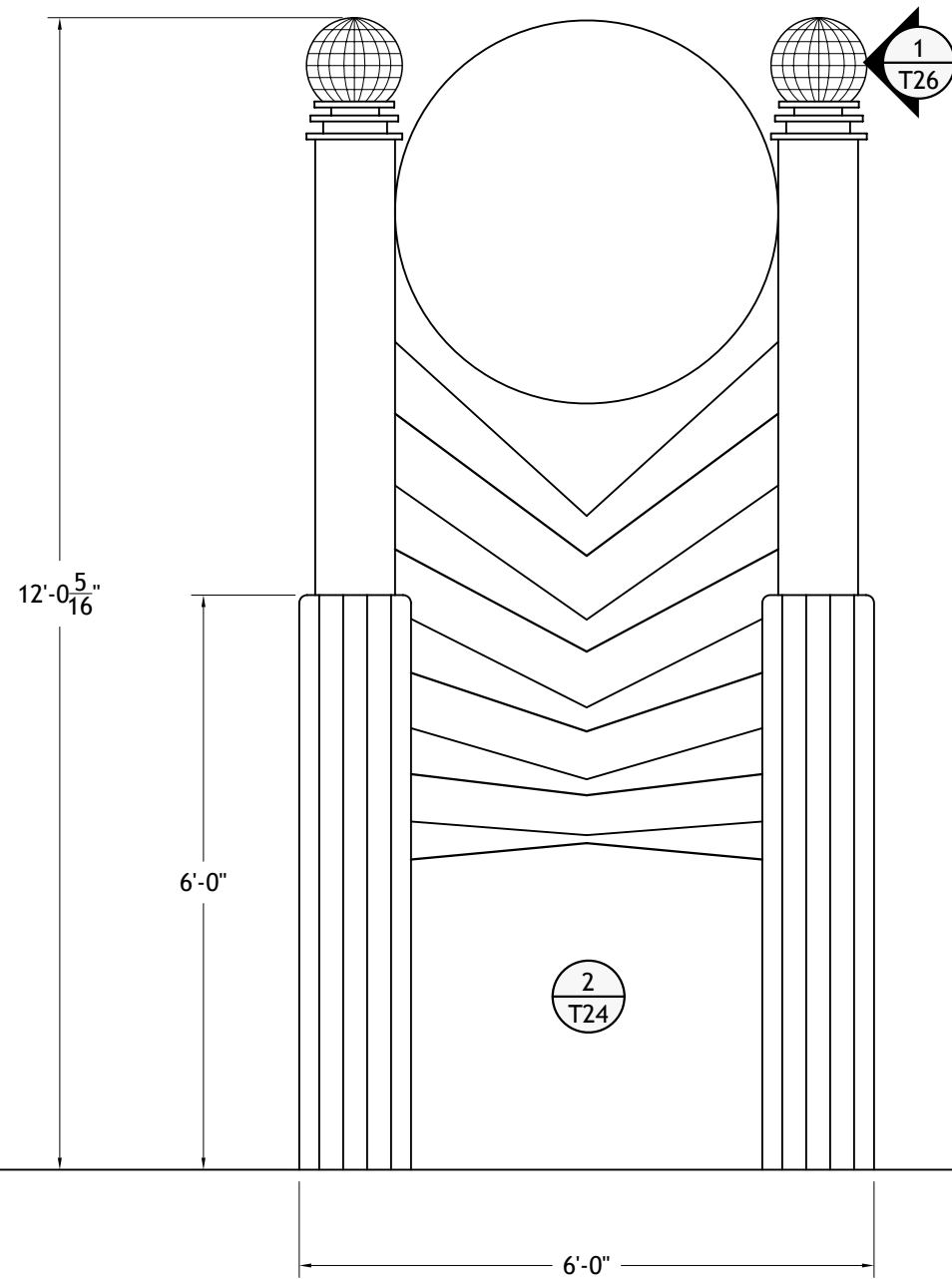
SECTION A

1 EMERALD CITY WALL BRACE
T25 SCALE: 1" = 1'-0" BUILD 4

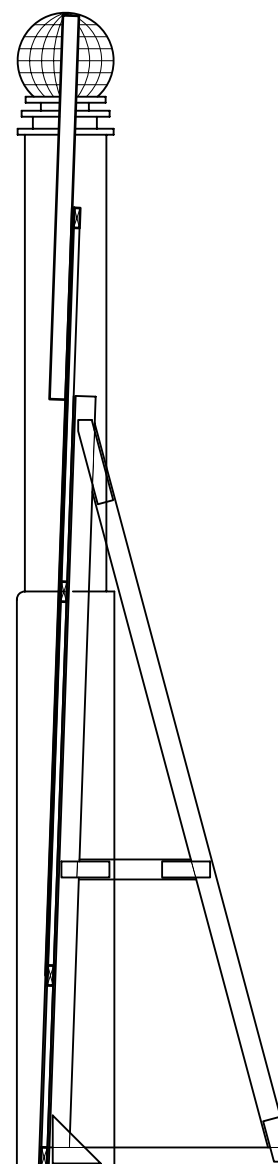
2 EMERALD CITY EMBLEM
T25 SCALE: 1" = 1'-0" BUILD 2



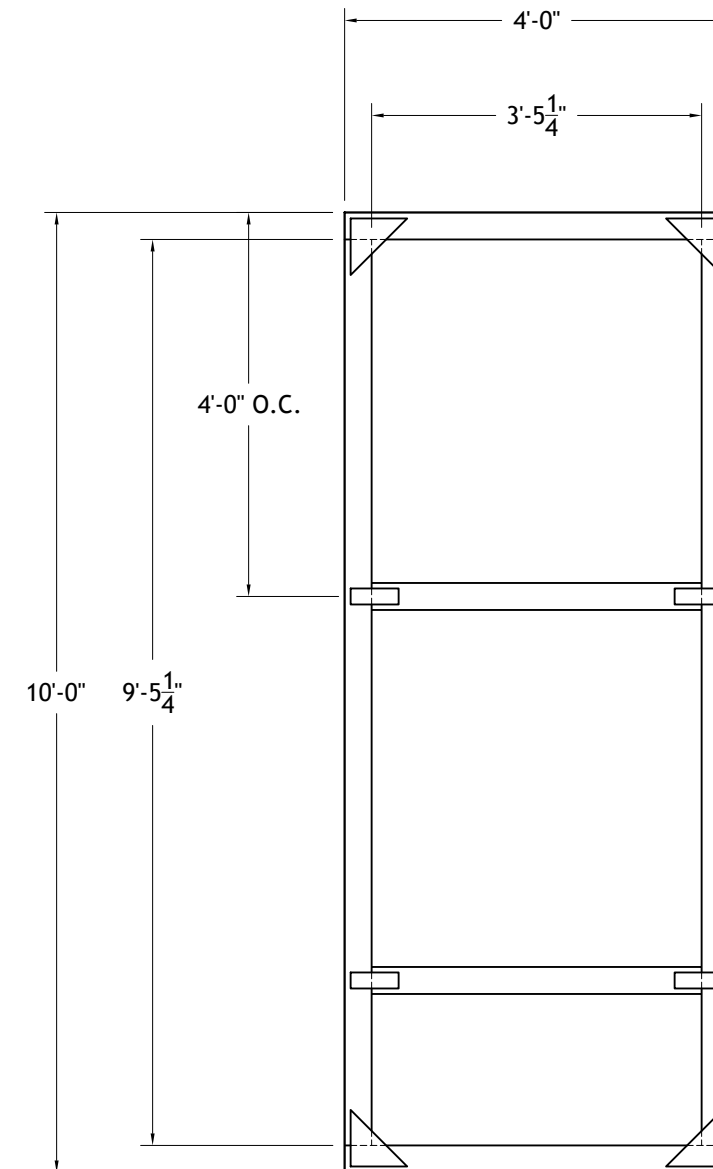
FRONT VIEW



FRONT VIEW



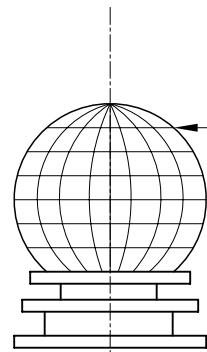
SECTION VIEW



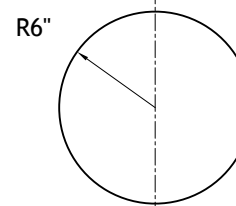
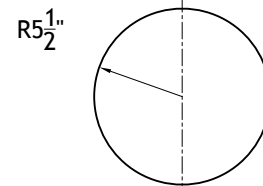
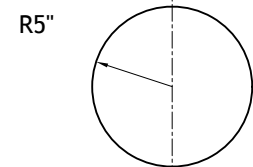
REAR VIEW

1 WIZARD CHAMBER COMPOSITE
T24 SCALE: 1/2" = 1'-0" BUILD 1

2 WIZARD CHAMBER WALL
T24 SCALE: 1/2" = 1'-0" BUILD 1



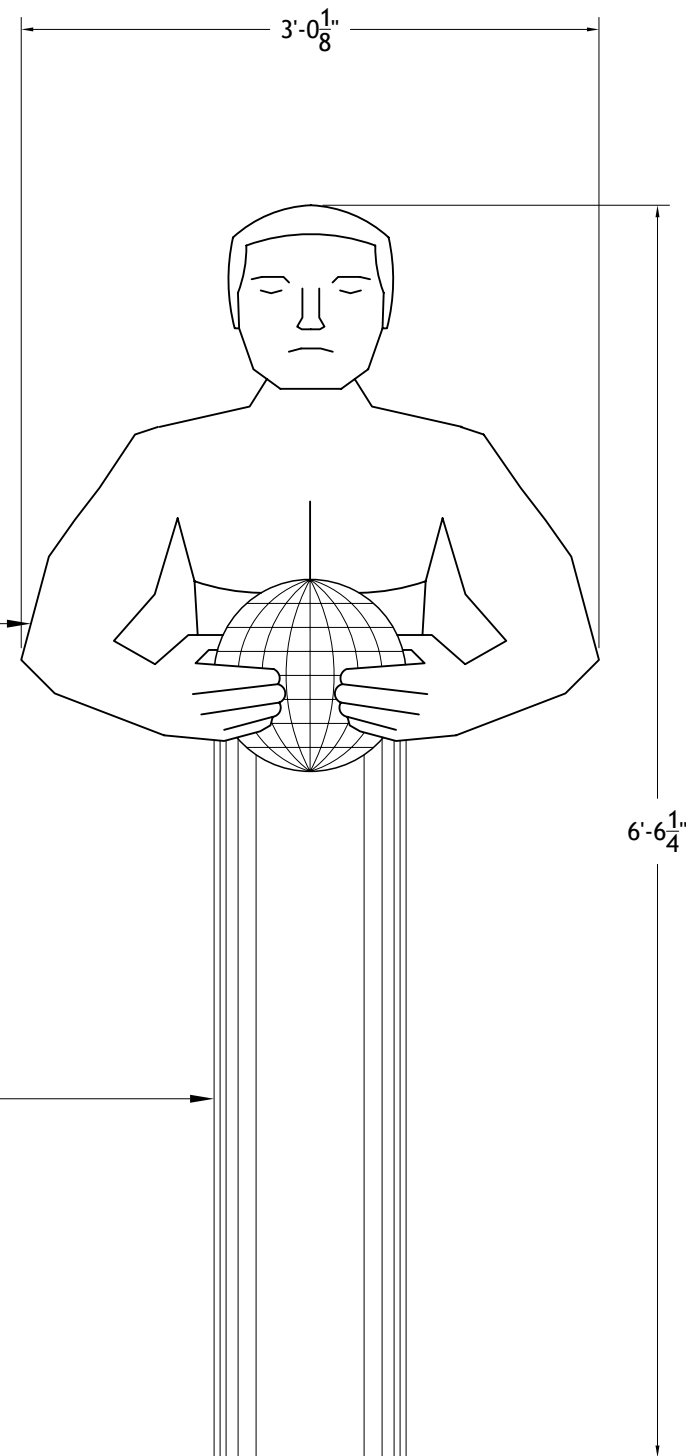
USE CLEAR 12" HAMSTER BALL FOR SPHERE.
 CUT CIRCLES OUT OF $\frac{3}{4}$ " PLYWOOD.
 THE PRACTICAL WILL BE WIRED BY ELECTRICS.



CUT VIEW

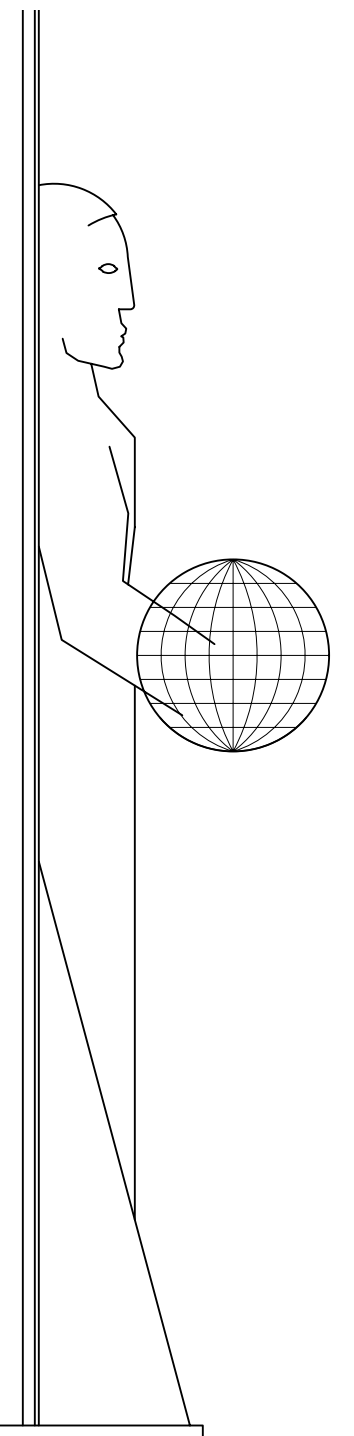
1 WIZARD PRACTICALS
 T26 SCALE: 1" = 1'-0" BUILD 4

CARVE TORSO, HEAD AND BASE OUT OF 6" BEAD FOAM.
 CUT AND BEND ELECTRICAL CONDUIT IN THE SHAPE OF
 ARMS TO CENTER ORB. THEN DRILL HOLES IN SECTIONS
 OF FOAM, SLEAVING OVER CONDUIT. SCULPT AFTER
 ALL FOAM IS SLEAVED ON. SEE RESEARCH PACKET FOR
 MORE VISUAL INFORMATION.



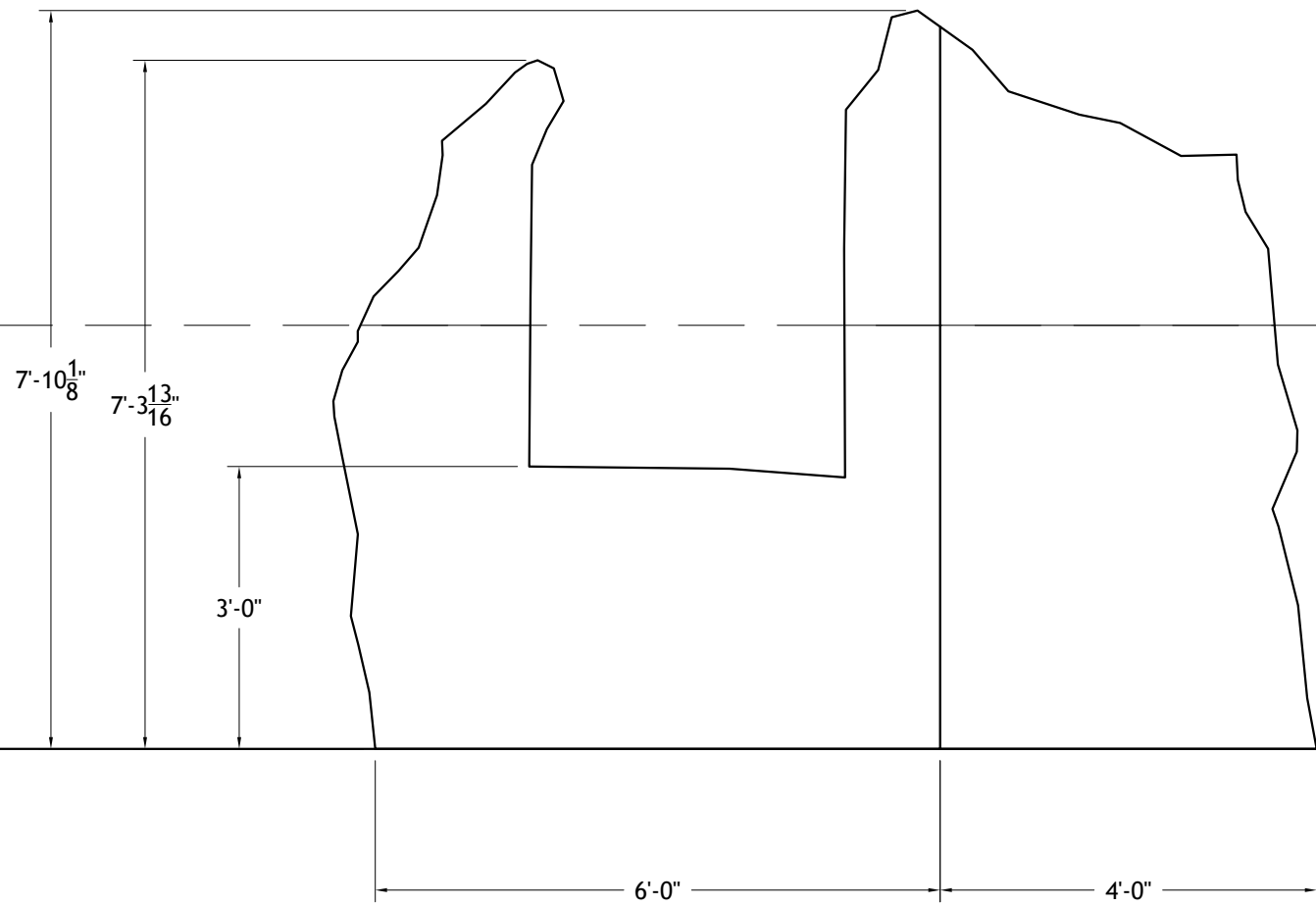
FRONT VIEW

CONFORM TOP TO WALL BRACKET.

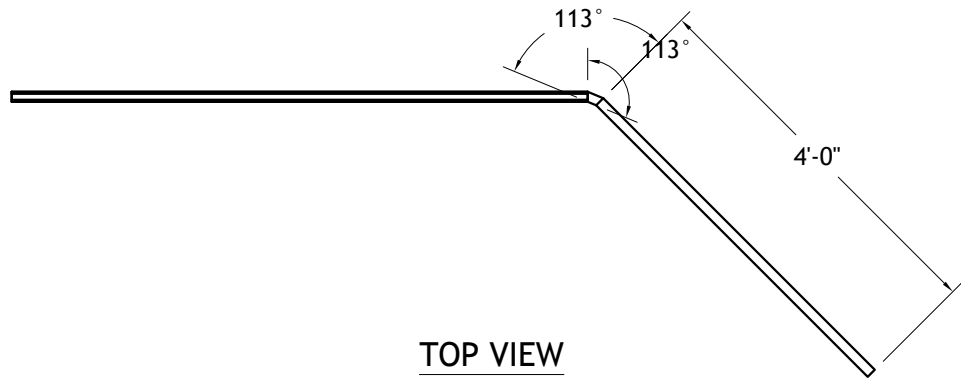


SIDE VIEW

2 EMERALD CITY EMBLEM
 T26 SCALE: 1" = 1'-0" BUILD 2

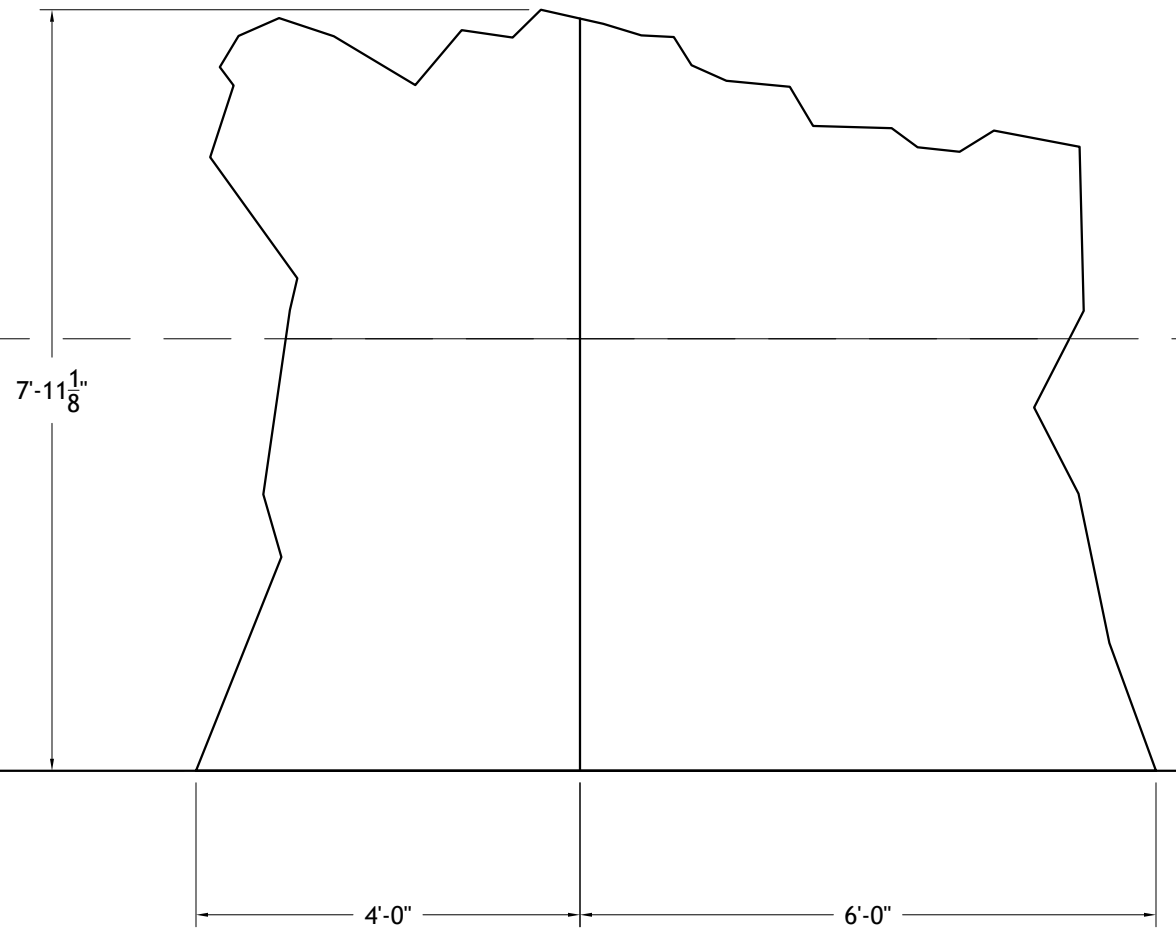


FRONT VIEW

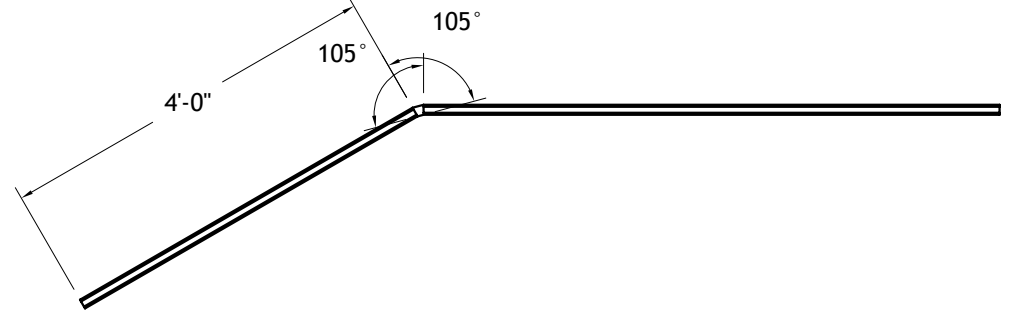


TOP VIEW

1 SR CASTLE WALL ELEVATION
T27 SCALE: 1/2" = 1'-0" BUILD 1



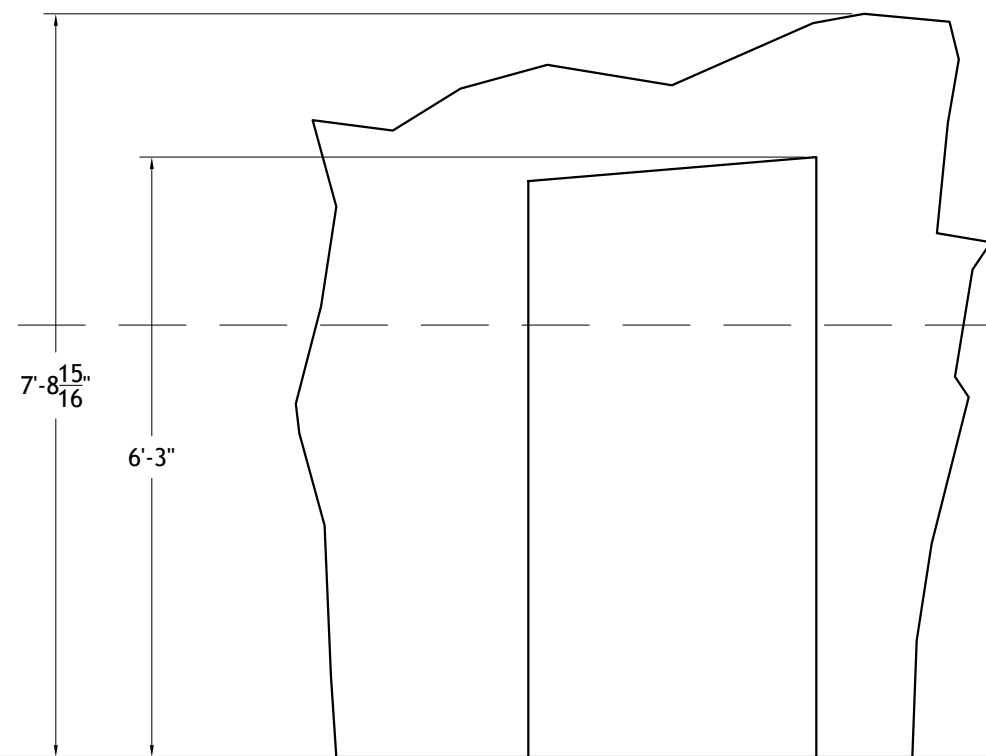
FRONT VIEW



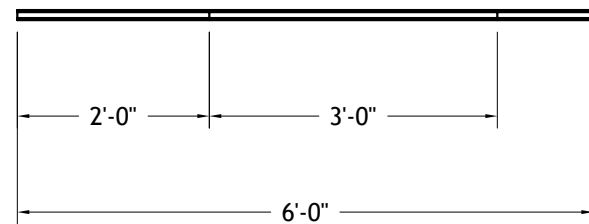
TOP VIEW

2 USC CASTLE WALL ELEVATION
T27 SCALE: 1/2" = 1'-0" BUILD 1

NOTES:
--FACE BOTH SIDES WITH 1/8" MASO

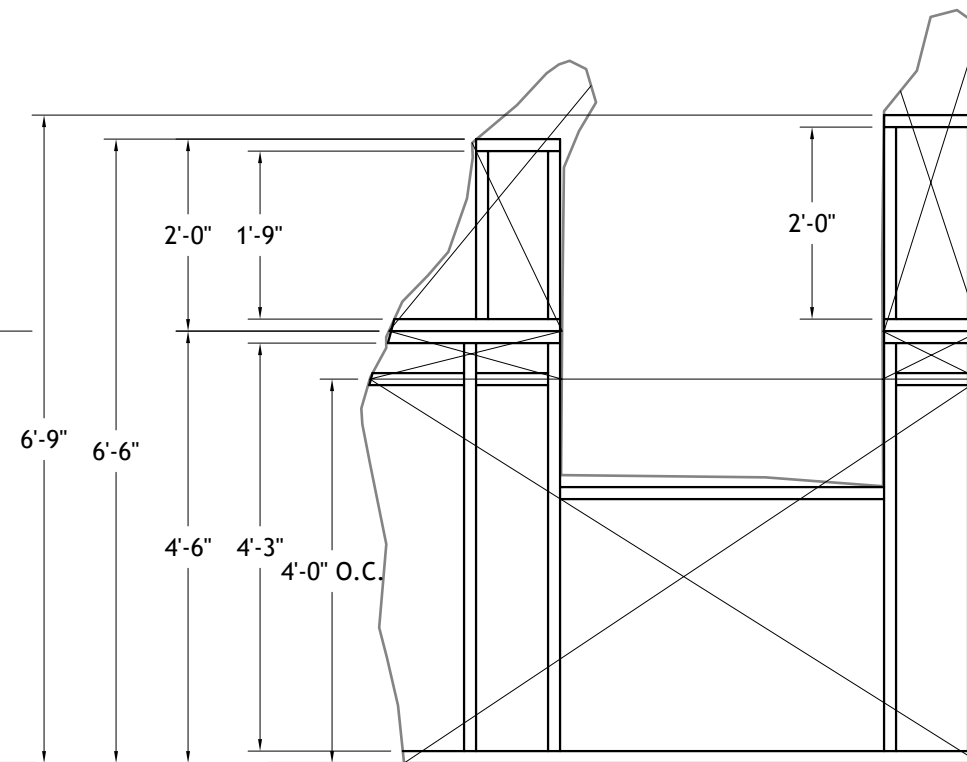


FRONT VIEW

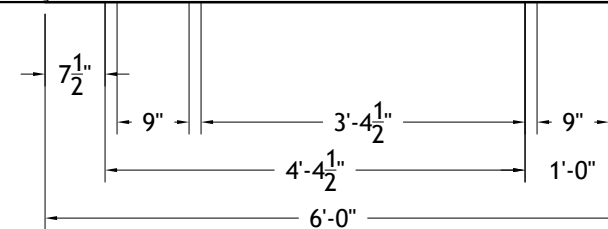


TOP VIEW

1 SL CASTLE WALL ELEVATION
T28 SCALE: 1/2" = 1'-0" BUILD 1

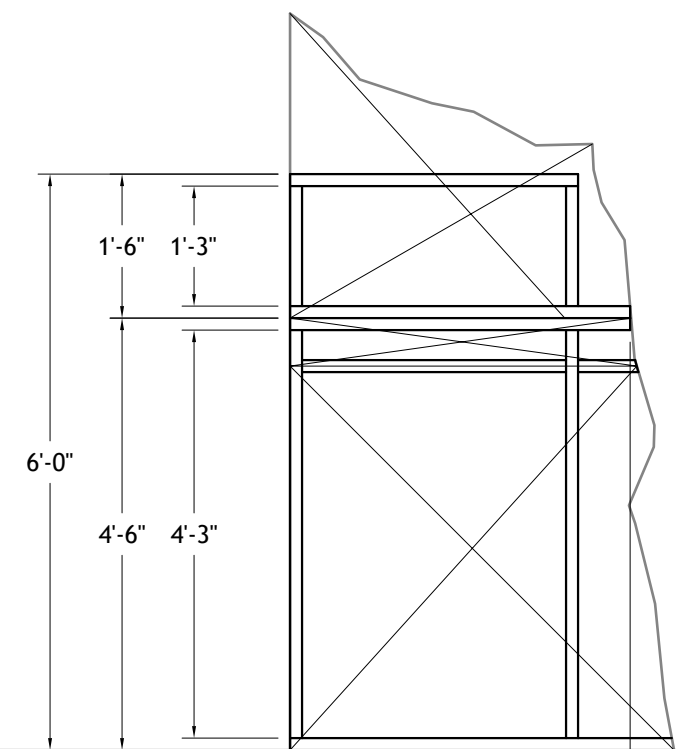


FRONT VIEW

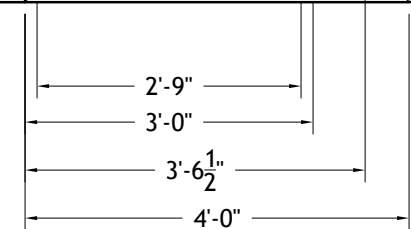


TOP VIEW

2 CASTLE WALL U
T28 SCALE: 1/2" = 1'-0" BUILD 1

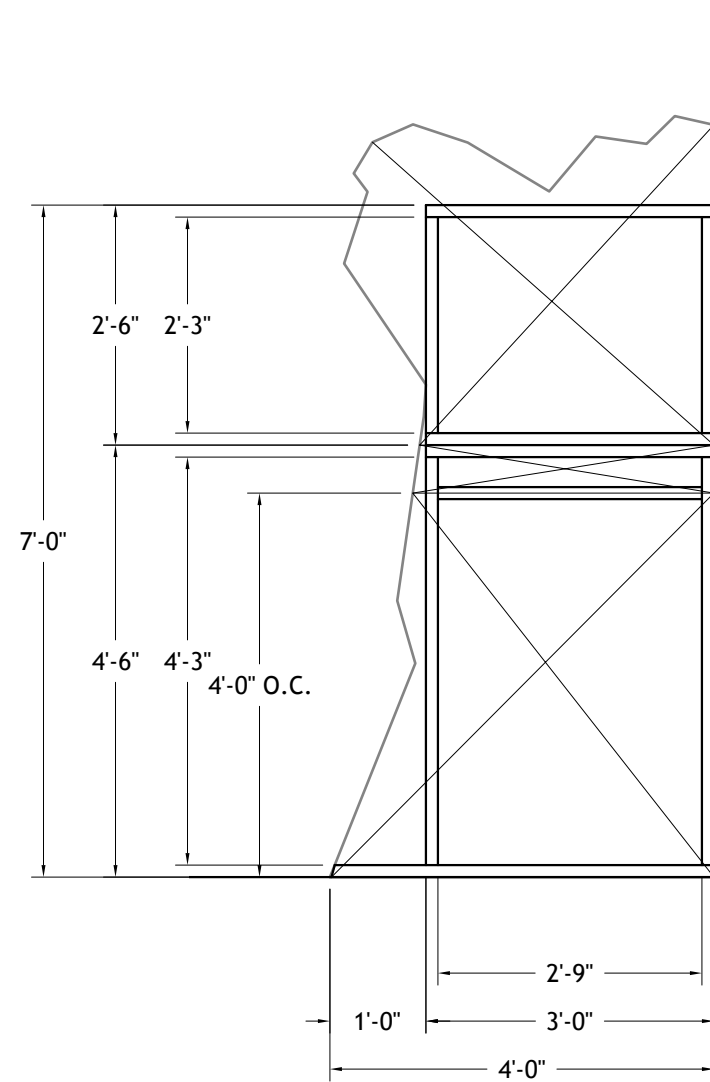


FRONT VIEW

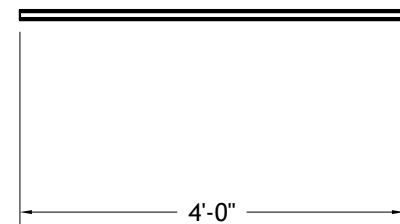


TOP VIEW

3 CASTLE WALL V
T28 SCALE: 1/2" = 1'-0" BUILD 1

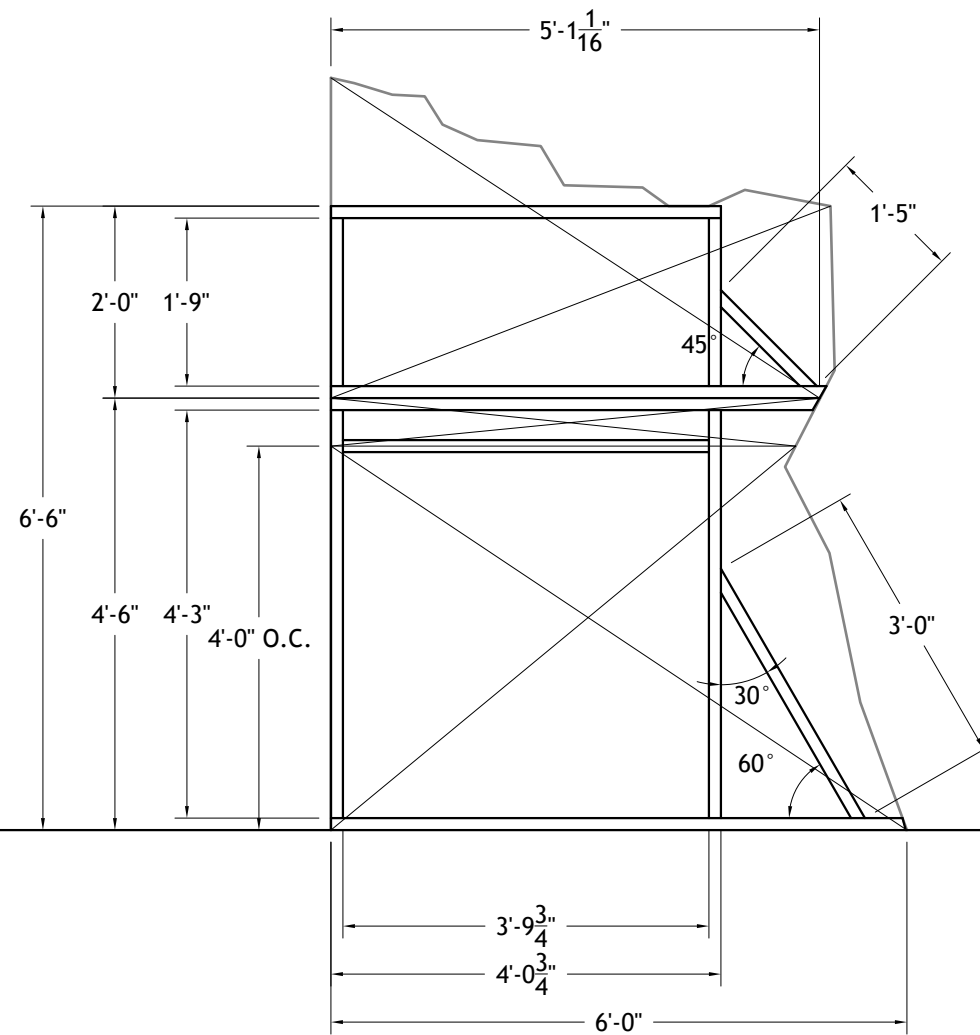


FRONT VIEW

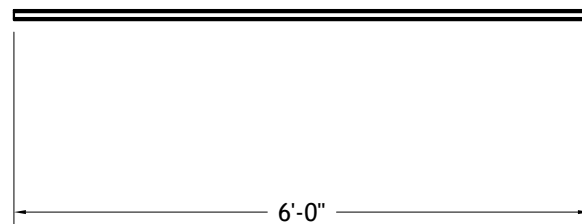


TOP VIEW

1 CASTLE WALL W
T29 SCALE: 1/2" = 1'-0" BUILD 1

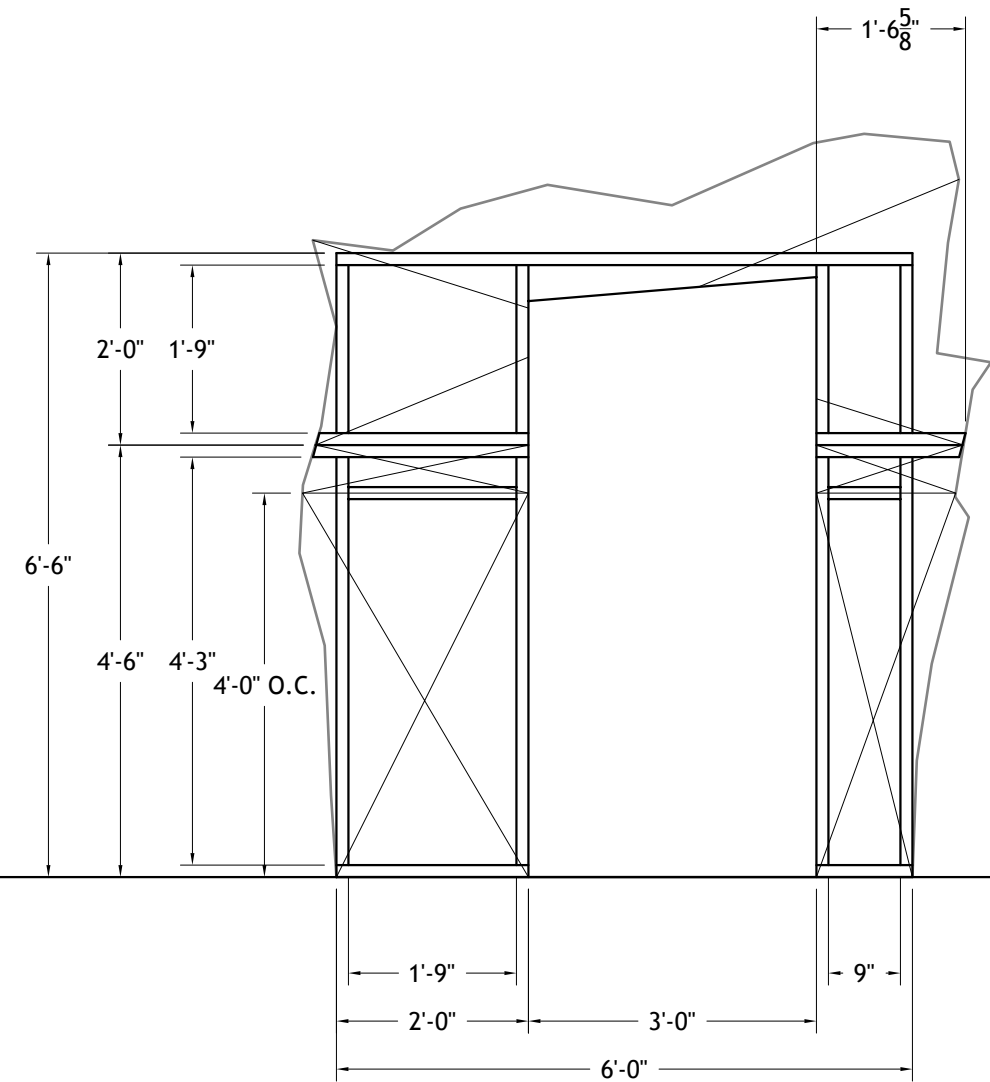


FRONT VIEW

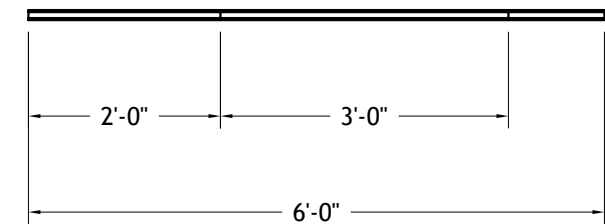


TOP VIEW

2 CASTLE WALL X
T29 SCALE: 1/2" = 1'-0" BUILD 1



FRONT VIEW

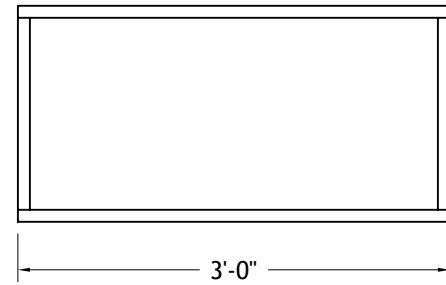
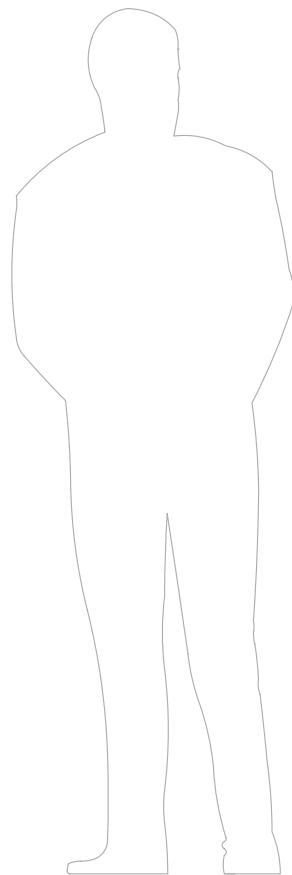


TOP VIEW

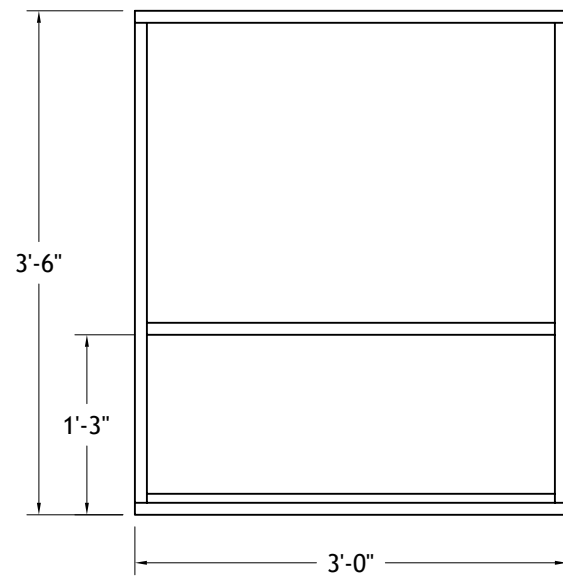
3 CASTLE WALL Y
T29 SCALE: 1/2" = 1'-0" BUILD 1

NOTES:

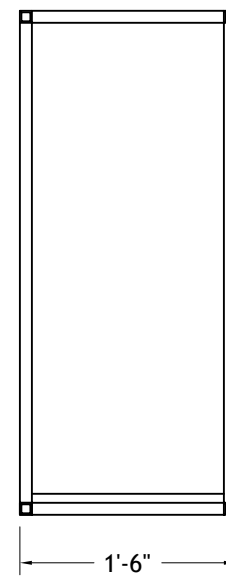
--FACE BOTH SIDES WITH 1/8" MASO



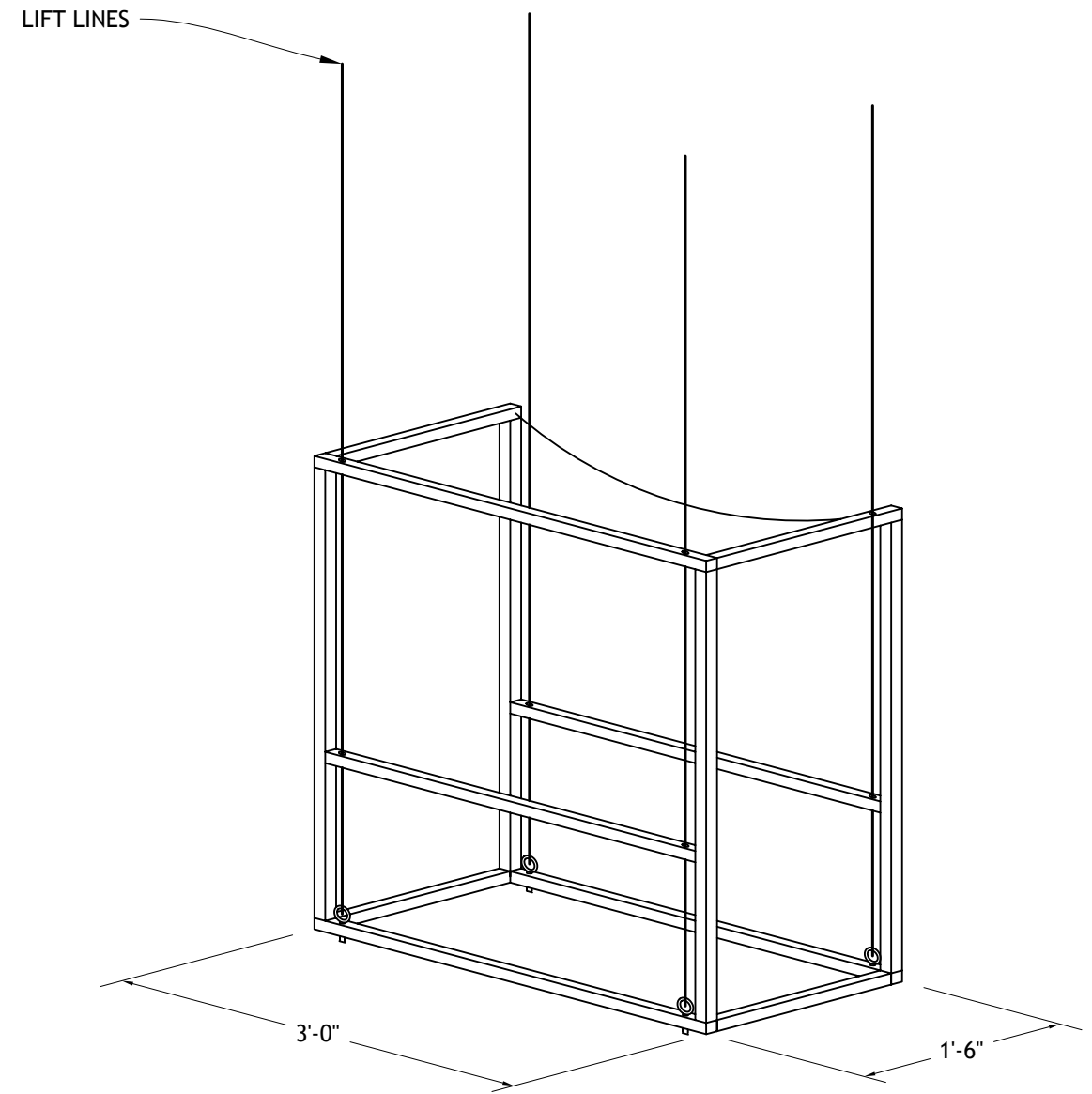
TOP VIEW



FRONT VIEW



SIDE VIEW



AXONOMETRIC VIEW

NOTES:

- USE 1" 1/8" GAUGE BOX STEEL
- LID PLATFORM WITH 3/4" PLY



HARD TORM ELEVATION

SCALE: 1/2" = 1'-0"



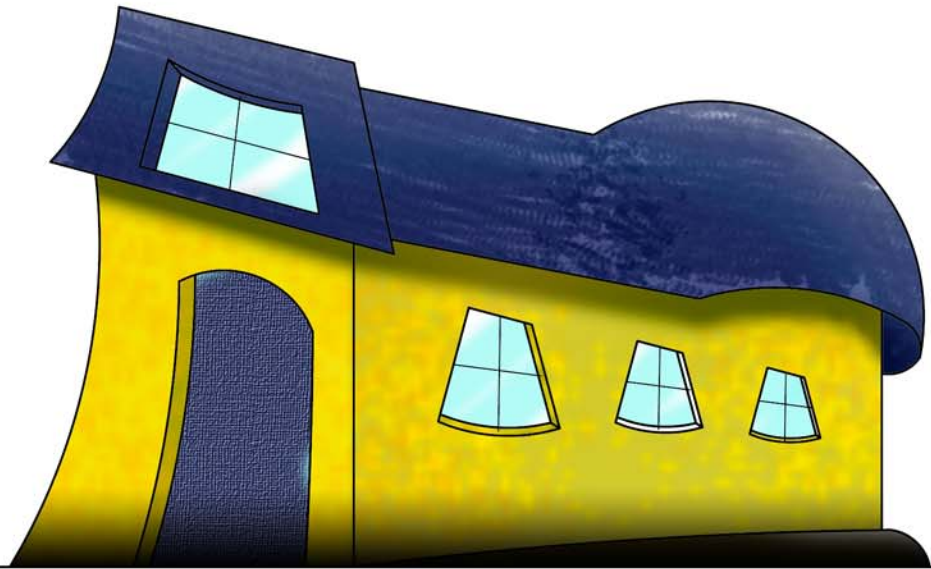
KANSAS HOUSE ELEVATION

SCALE: 1/2" = 1'-0"



TINMAN'S COTTAGE ELEVATION

SCALE: 1/2" = 1'-0"



MUNCHKIN HOUSE ELEVATION
SCALE: 1/2" = 1'-0"



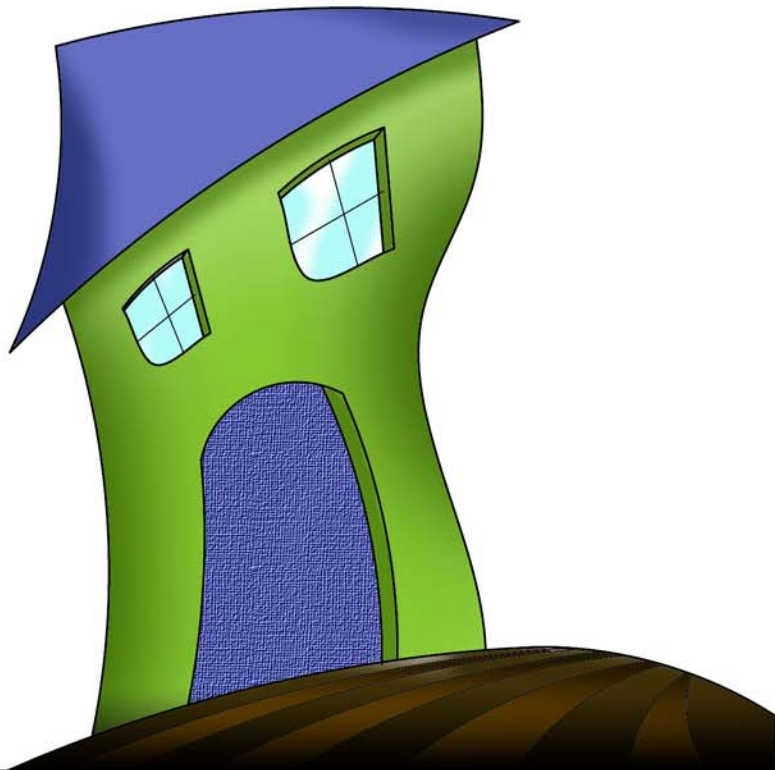
MUNCHKIN HOUSE ELEVATION
SCALE: 1/2" = 1'-0"



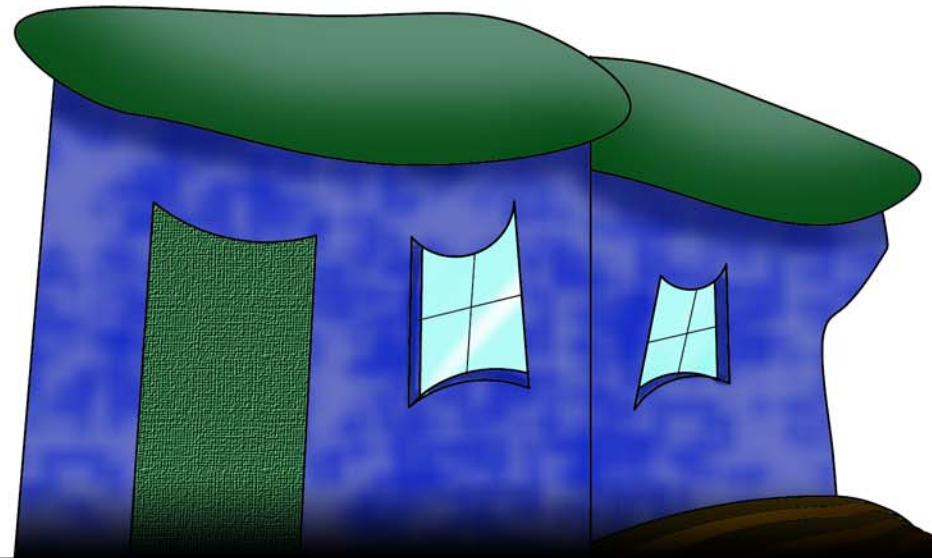
MUNCHKIN HOUSE ELEVATION
SCALE: 1/2" = 1'-0"



MUNCHKIN HOUSE ELEVATION
SCALE: 1/2" = 1'-0"



MUNCHKIN HOUSE ELEVATION
SCALE: 1/2" = 1'-0"



MUNCHKIN HOUSE ELEVATION
SCALE: 1/2" = 1'-0"



MUNCHKIN HOUSE ELEVATION
SCALE: 1/2" = 1'-0"



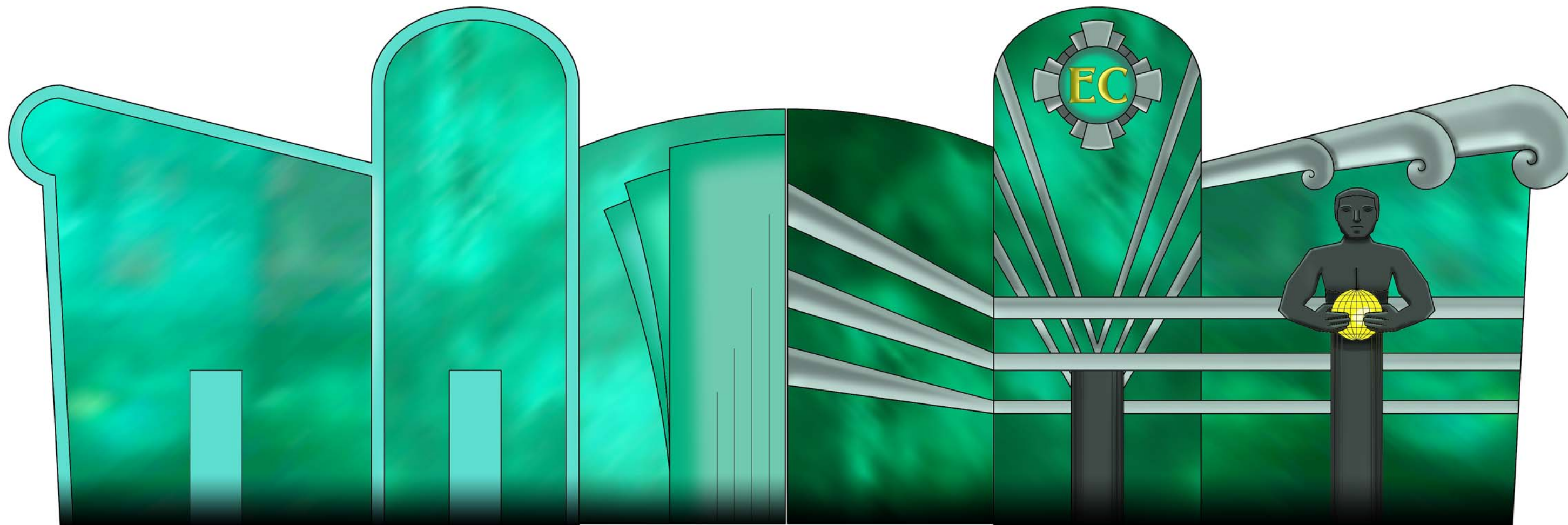
US TREE TOP ELEVATION
SCALE: 1/2" = 1'-0"



DSR TREE TOP ELEVATION
SCALE: 1/2" = 1'-0"



DSL TREE TOP ELEVATION
SCALE: 1/2" = 1'-0"

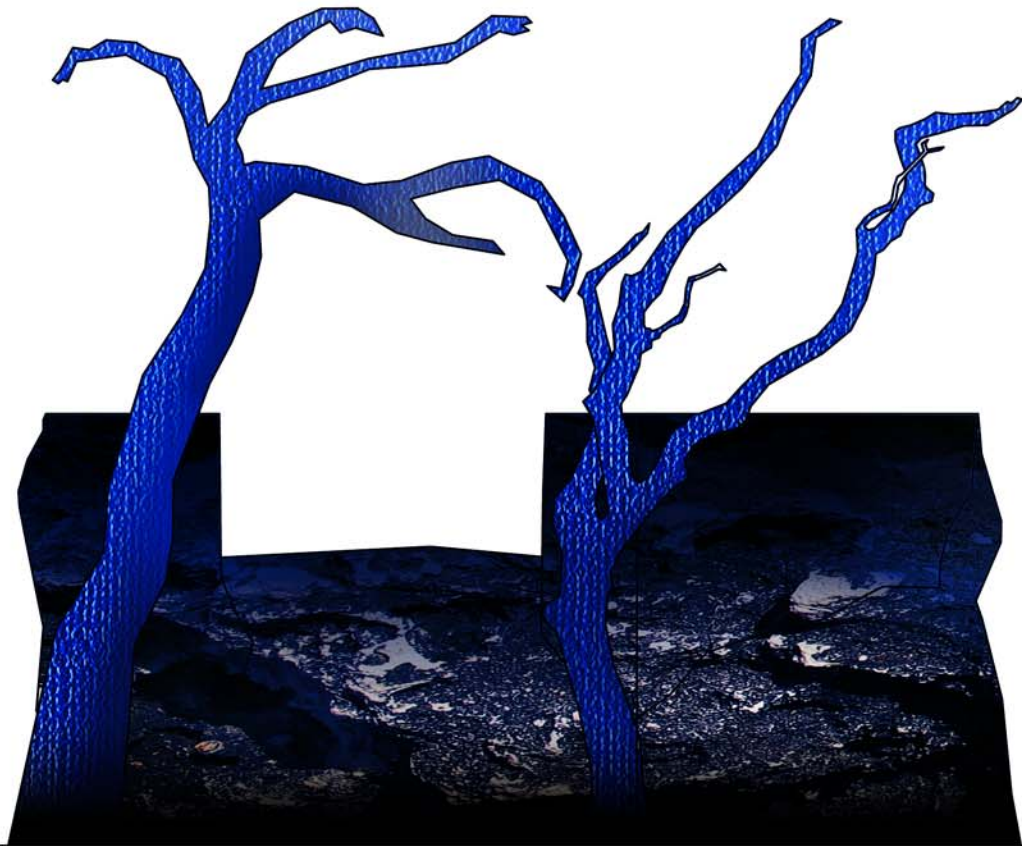


EMERALD CITY EXTERIOR ELEVATION

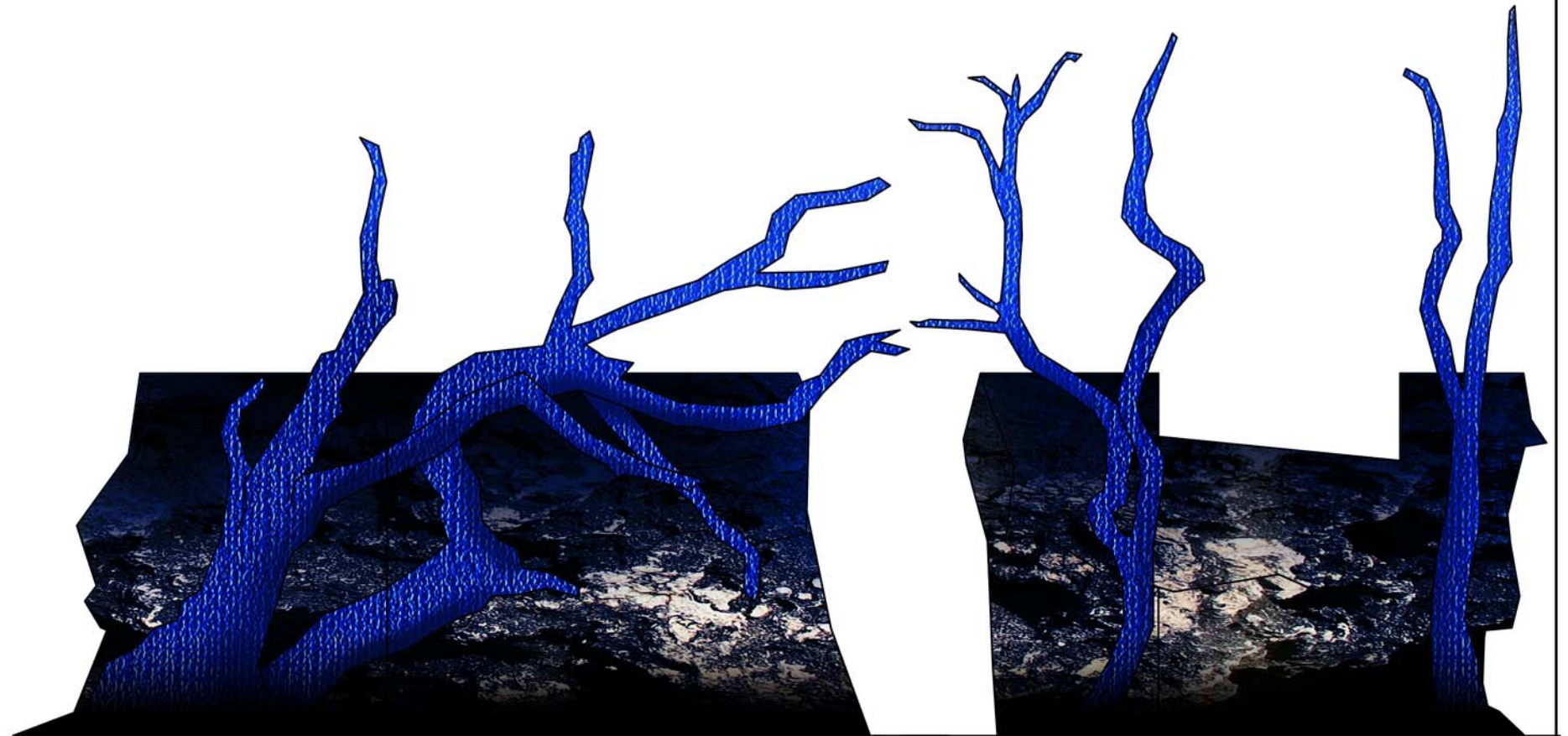
SCALE: 1/2" = 1'-0"

EMERALD CITY INTERIOR ELEVATION

SCALE: 1/2" = 1'-0"



HAUNTED FOREST SR WALL ELEVATION
SCALE: 1/2" = 1'-0"

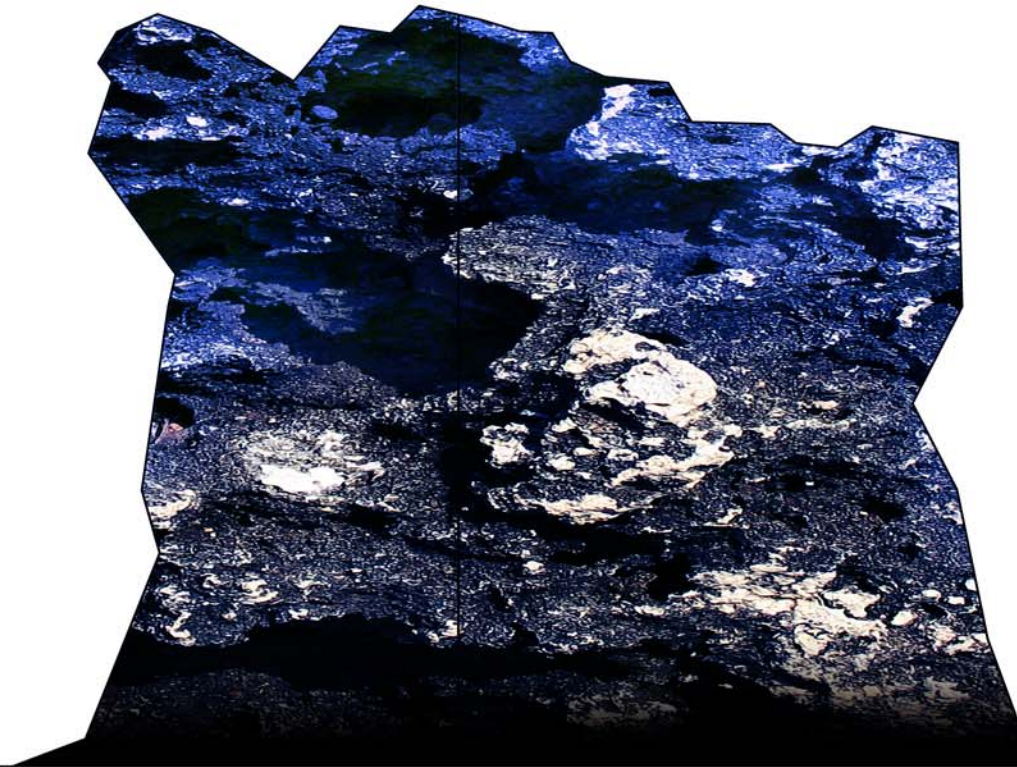


HAUNTED FOREST CS WALL ELEVATION
SCALE: 1/2" = 1'-0"

HAUNTED FOREST SL WALL ELEVATION
SCALE: 1/2" = 1'-0"



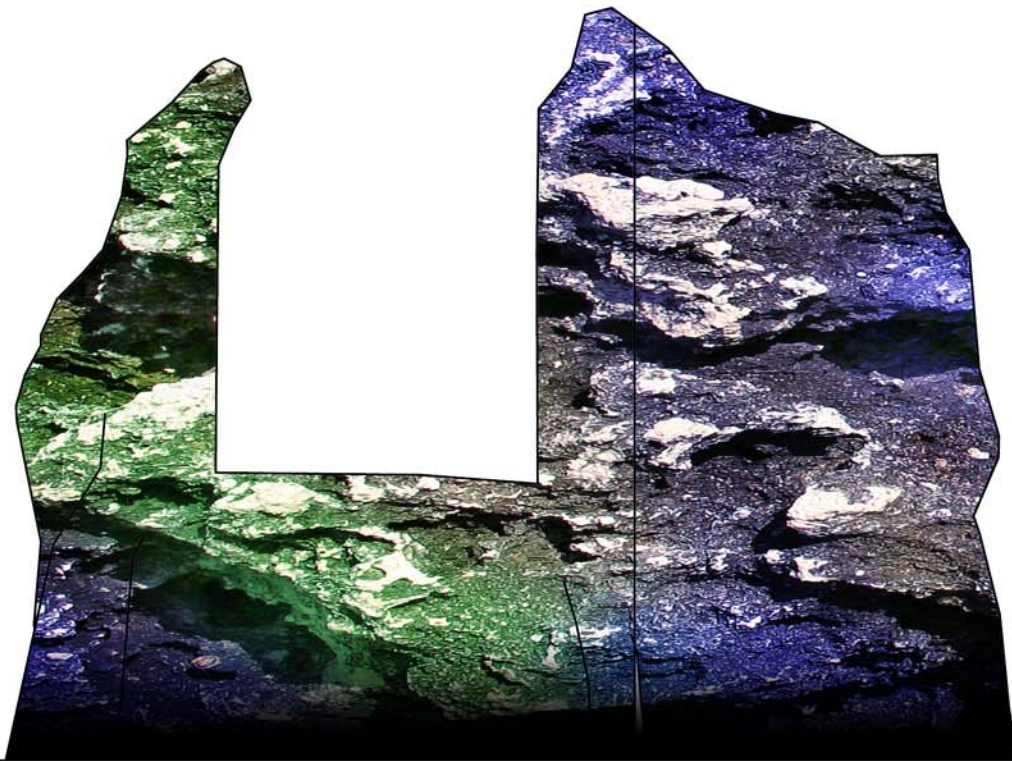
WITCH'S CASTLE SR WALL ELEVATION
SCALE: 1/2" = 1'-0"



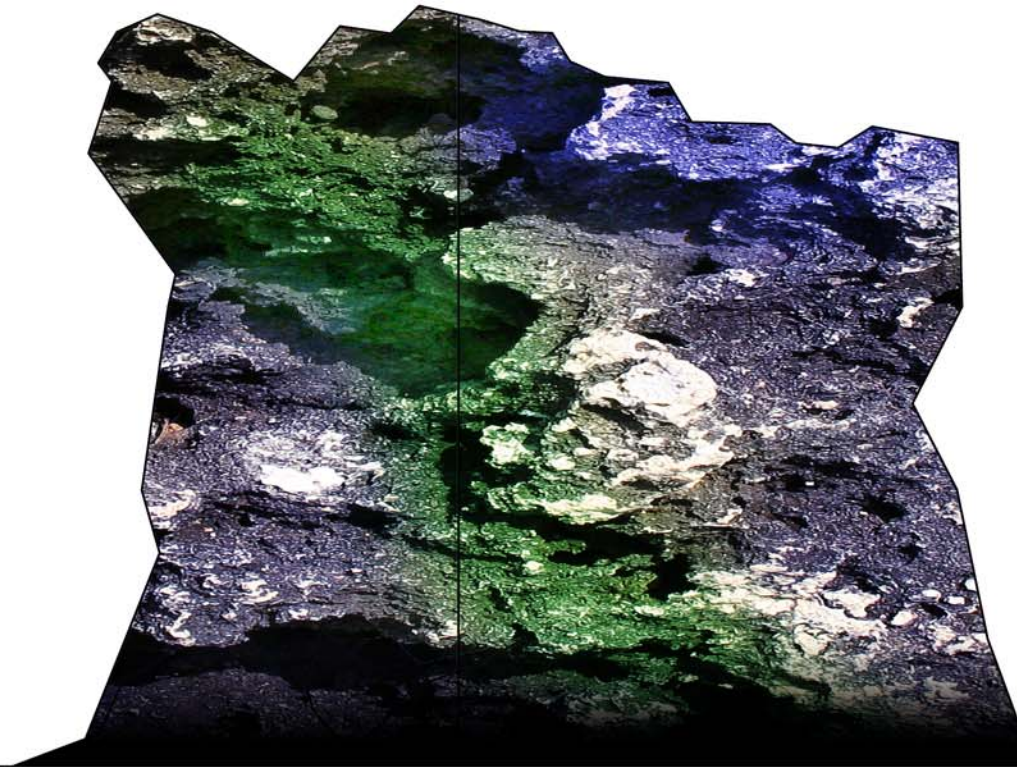
WITCH'S CASTLE CS WALL ELEVATION
SCALE: 1/2" = 1'-0"



WITCH'S CASTLE SL WALL ELEVATION
SCALE: 1/2" = 1'-0"



WITCH'S CASTLE SR WALL ELEVATION
SCALE: 1/2" = 1'-0"



WITCH'S CASTLE CS WALL ELEVATION
SCALE: 1/2" = 1'-0"



WITCH'S CASTLE SL WALL ELEVATION
SCALE: 1/2" = 1'-0"